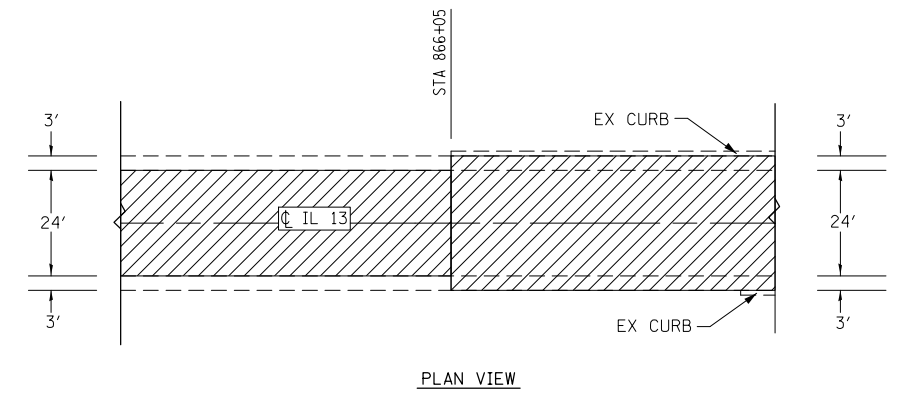
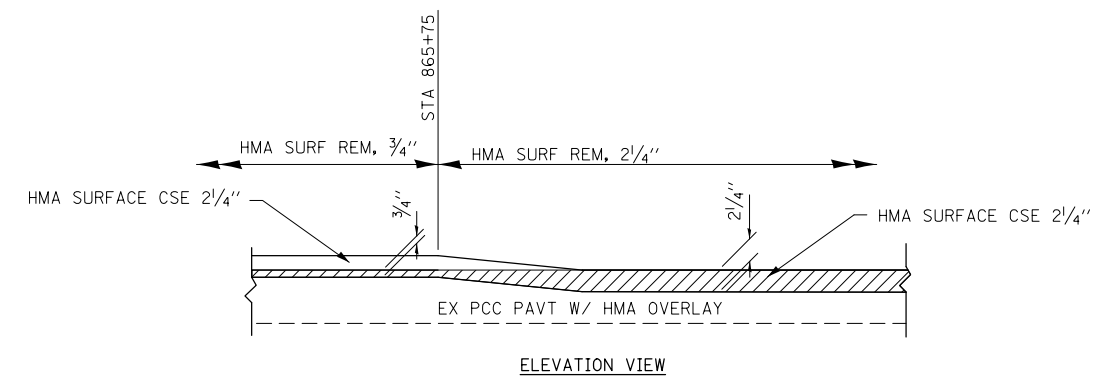
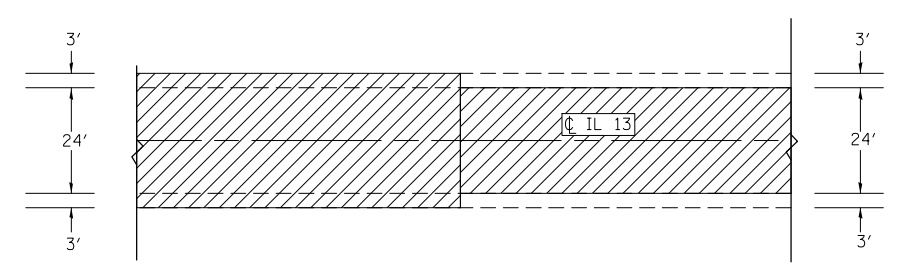
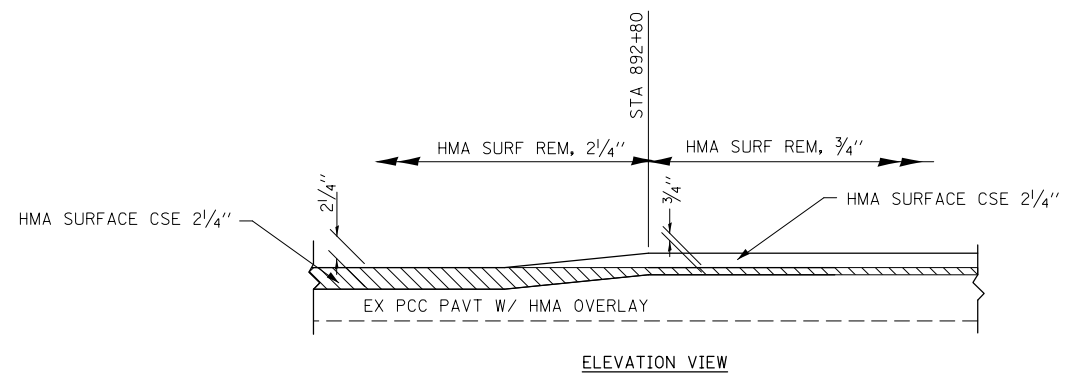


SN 082-0281 OVERLAY DETAIL



MILLING TRANSITION DETAIL



MILLING TRANSITION DETAIL

- HOT-MIX ASPHALT SURFACE REMOVAL
- HOT-MIX ASPHALT SURFACE REMOVAL - BUTT JOINT

FILE NAME =	USER NAME = chollandeske	DESIGNED -	REVISED -
et:\pw\work\p\dot\chollandeske\d0115523\0876E88-shd-details.dgn		DRAWN -	REVISED -
	PLOT SCALE = 40.0000' / in.	CHECKED -	REVISED -
	PLOT DATE = 3/22/2013	DATE -	REVISED -

STATE OF ILLINOIS
DEPARTMENT OF TRANSPORTATION

OVERLAY DETAILS/MILLING TRANSITION DETAILS

SCALE: N/A SHEET NO. 1 OF 1 SHEETS STA. TO STA.

F.A.P. RTE.	SECTION	COUNTY	TOTAL SHEETS	SHEET NO.
103	(23,24)RS-4	ST. CLAIR	54	51
CONTRACT NO. 76E88				
ILLINOIS FED. AID PROJECT				