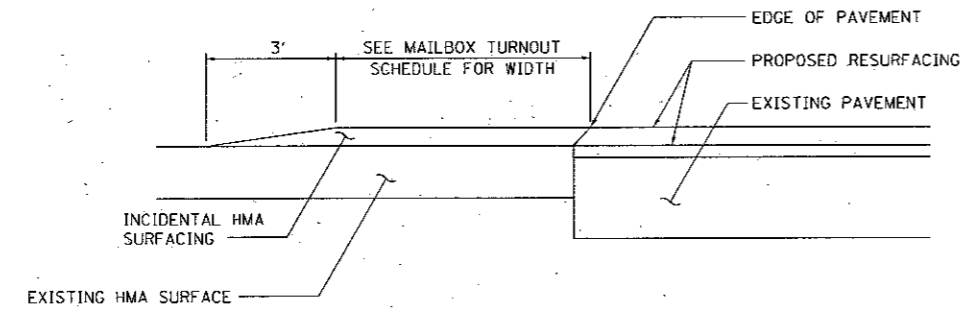
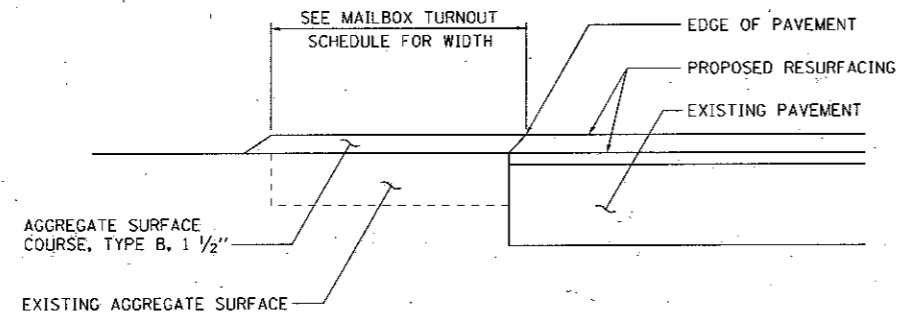


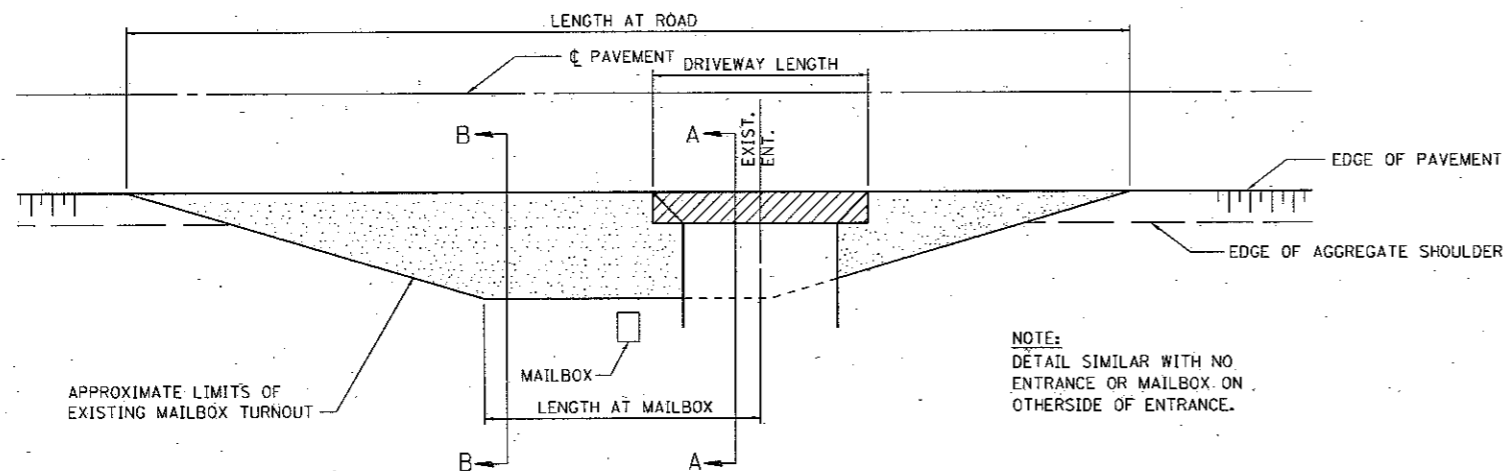
SECTION A-A AGGREGATE SURFACE



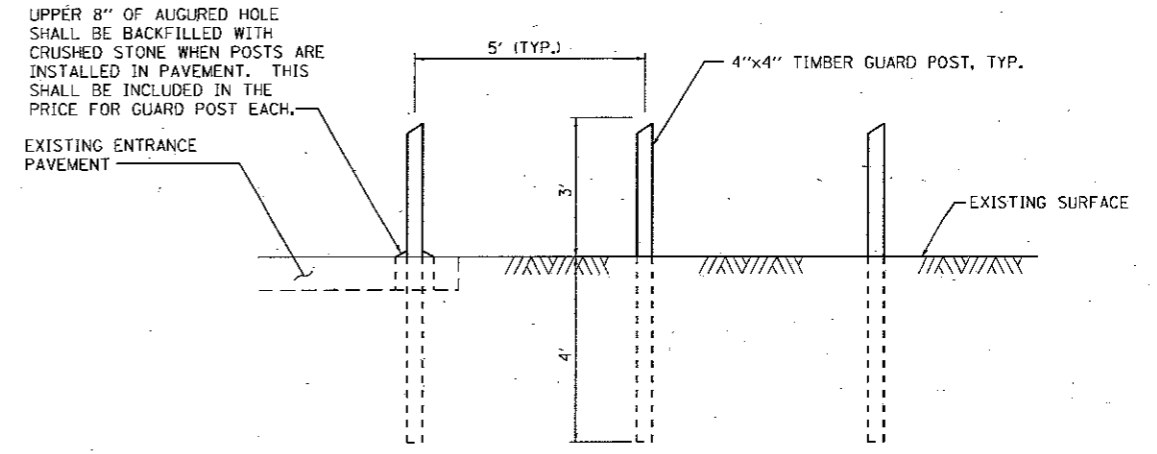
SECTION A-A HMA SURFACE



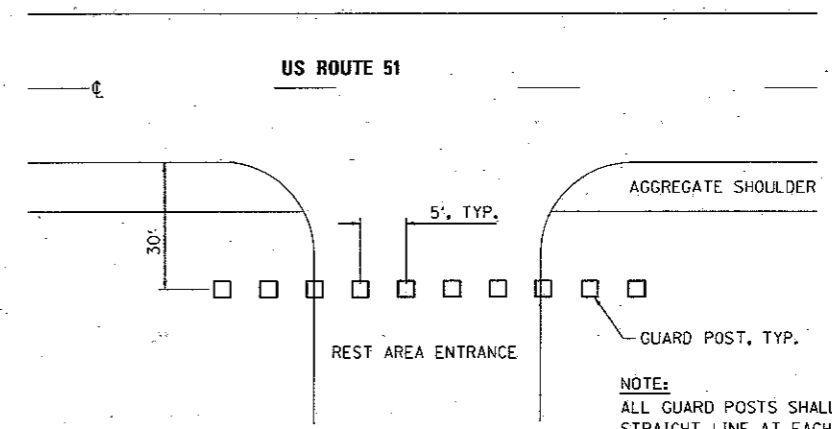
SECTION B-B



MAILBOX TURNOUT DETAIL



SECTION VIEW



PLAN VIEW

GUARD POST DETAIL
MS 2.362 AND MS 2.438

NOTE:
ALL GUARD POSTS SHALL BE INSTALLED IN A STRAIGHT LINE AT EACH ENTRANCE. TO ACHIEVE THIS CONSISTENT SET BACK THE CONTRACTOR SHALL LOCATE ALL UTILITIES. CONFIRM GUARD POST LOCATION WITH ENGINEER IN FIELD AFTER UTILITIES ARE LOCATED AND MARKED AND PRIOR TO ANY INSTALLATIONS. ENGINEER SHALL HAVE AUTHORITY TO ADJUST FINAL GUARD POST LOCATIONS.

DRIVER = J:\Ben\10\10\print\plans\11\DOT\11\DOT.dwg
 FILE NAME = 11\DOT\11\DOT.dwg
 PLOT DATE = 1/12/2012



USER NAME = JHF1	DESIGNED - JLF	REVISED -
PRINTER =	DRAWN - MSJ	REVISED -
PLOT SCALE = 2.00	CHECKED - KEJ	REVISED -
PLOT DATE = 1/12/2012	DATE - 01/13/2012	REVISED -

STATE OF ILLINOIS
DEPARTMENT OF TRANSPORTATION

DETAILS

SHEET NO. OF SHEETS STA. TO STA.

F.A.P. RTE.	SECTION	COUNTY	TOTAL SHEETS	SHEET NO.
322	(7, 8)RS-2	WASHINGTON	15	12

CONTRACT NO. 76E91
ILLINOIS FED. AID PROJECT