

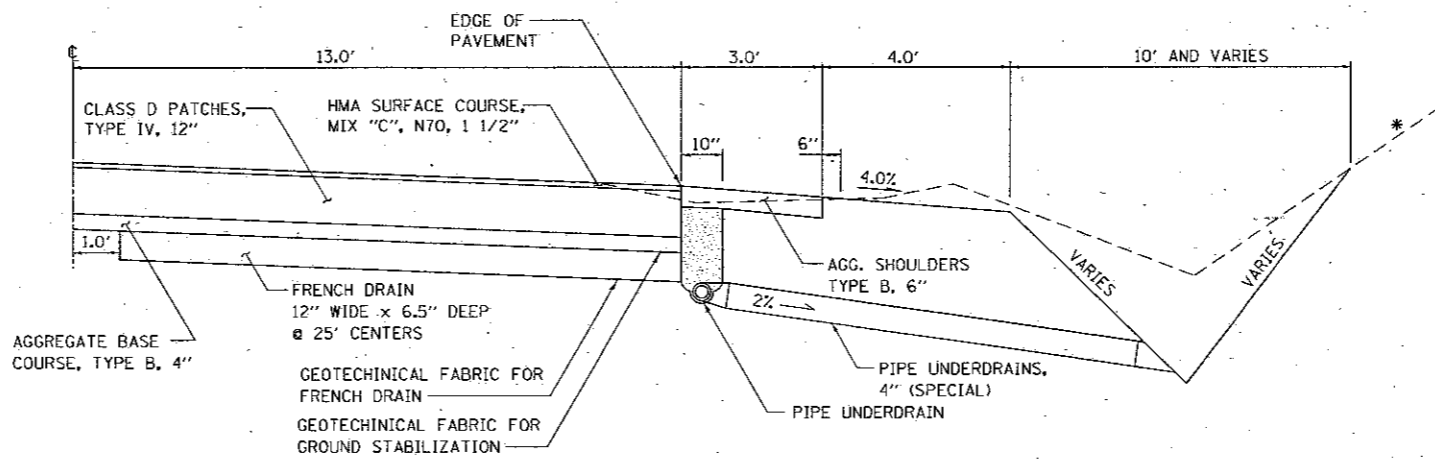
PAVEMENT REPAIR PLAN VIEW

LEGEND

- ▶ CONCRETE HEADWALL FOR PIPE DRAINS
- GRADE AND SHAPE DITCHES
- PIPE UNDERDRAINS

NOTES:

1. AGGREGATE SHOULDERS TYPE B, 6" SHALL BE 10" WIDE FROM MS 5.665 RT TO MS 5.688 RT, MS 5.730 RT TO MS 5.845 RT, MS 5.665 LT TO MS 5.695 LT, MS 5.719 LT TO MS 5.845 LT
2. AGGREGATE SHOULDERS TYPE B, 6" SHALL BE 3' WIDE FROM MS 5.688 RT TO MS 5.730 RT, MS 5.695 LT TO 5.719 LT
3. CONCRETE HEADWALL SHALL BE POSITIONED IN STONE RIP RAP TO ALLOW PIPE UNDERDRAIN TO DRAIN TO CREEK



PAVEMENT REPAIR DETAIL

* BACKSLOPE GRADING TO BE LIMITED TO DITCH BOTTOM ONLY. SIGNIFICANT GRADING ON THE BACKSLOPE SHALL NOT BE ALLOWED.

SCALE:
H: 1"=20'
V: 1"=4'

DRIVER = J:\Bentley\Bentley\Projects\I11001\I11001.dwg, PLOT SCALE = 2.000' / 1" m, PLOT DATE = 1/12/2012



USER NAME = jlf1	DESIGNED - JLF	REVISED -
PRINTER =	DRAWN - MSJ	REVISED -
PLOT SCALE = 2.000' / 1" m	CHECKED - KEJ	REVISED -
PLOT DATE = 1/12/2012	DATE - 01/13/2012	REVISED -

**STATE OF ILLINOIS
DEPARTMENT OF TRANSPORTATION**

DETAILS			
SHEET NO.	OF SHEETS	STA.	TO STA.

F.A.P. RTE. 322	SECTION 07, BRS-2	COUNTY WASHINGTON	TOTAL SHEETS 15	SHEET NO. 13
CONTRACT NO. 76E91				
ILLINOIS FED. AID PROJECT				