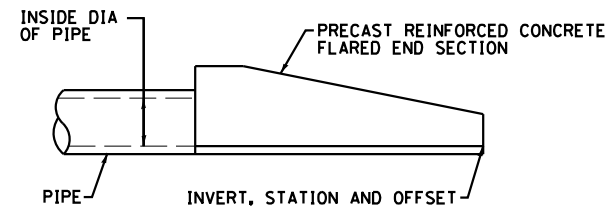
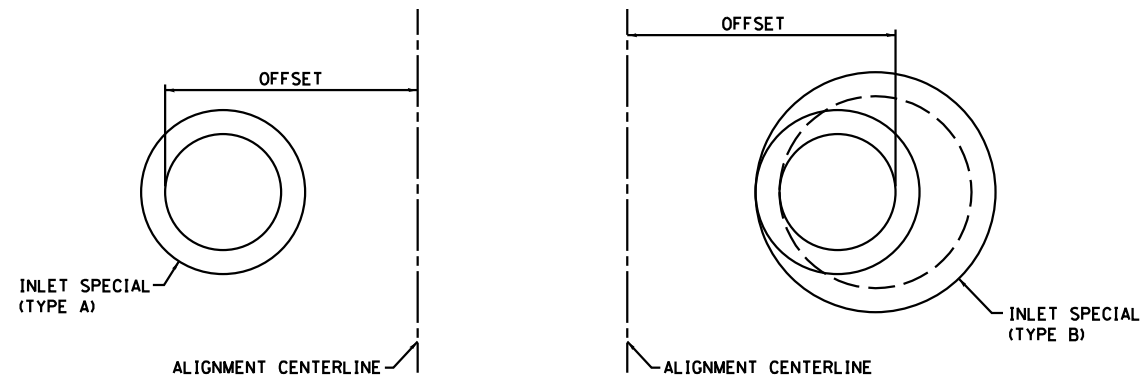


**PLAN
RIPRAP APRON**



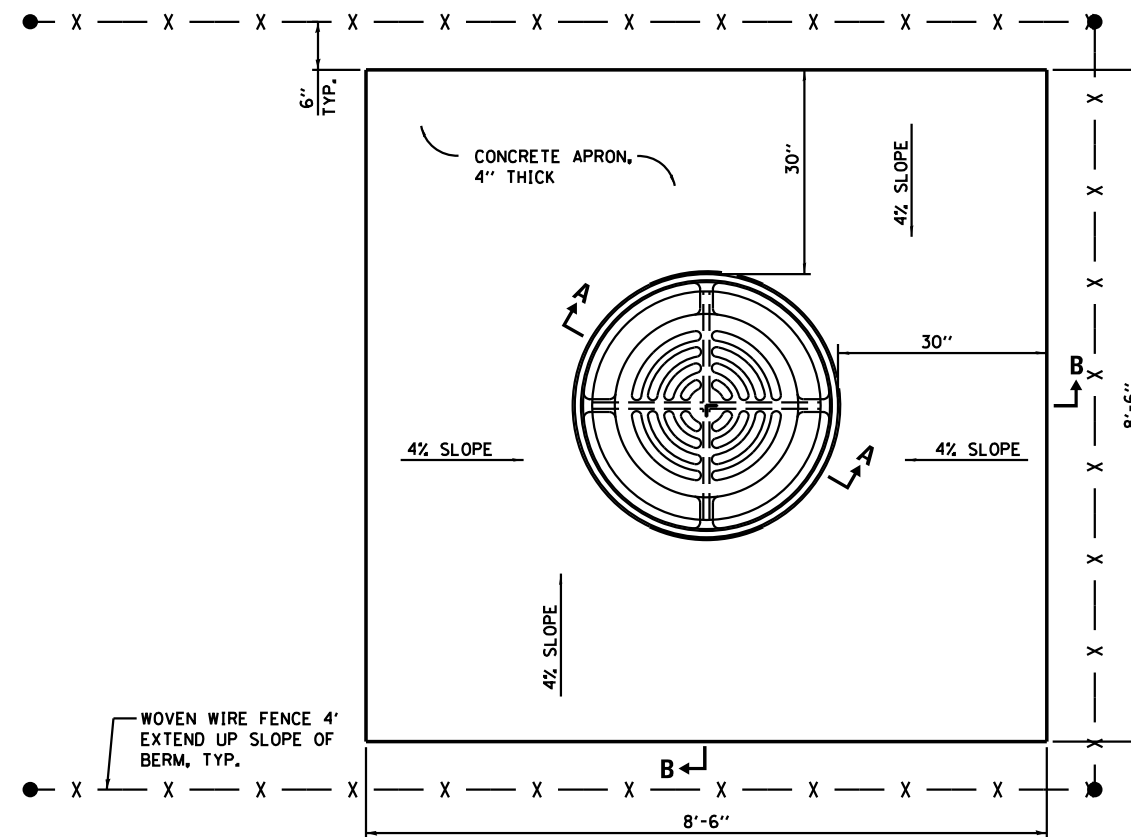
NOTE:
ALL PIPE STATIONS, OFFSETS, AND INVERTS ARE MEASURED FROM THE INVERT OF THE END SECTION.

END SECTION CALL OUT DETAIL

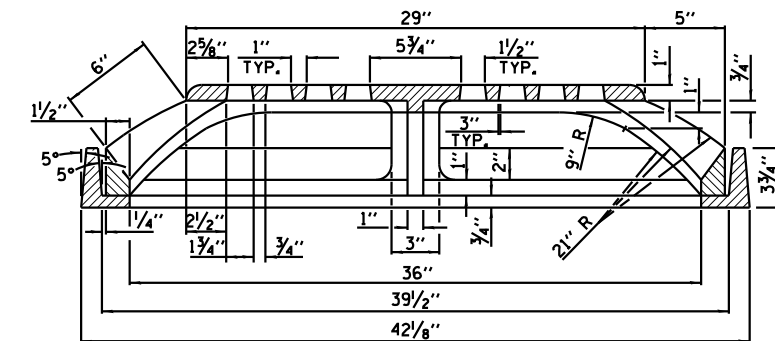


NOTE:
ALL INLET OFFSETS ARE MEASURED FROM THE ϕ TO THE FAR OUTSIDE EDGE OF THE INLET. THE INLET STATIONS ARE MEASURED TO THE CENTER OF THE INLET.

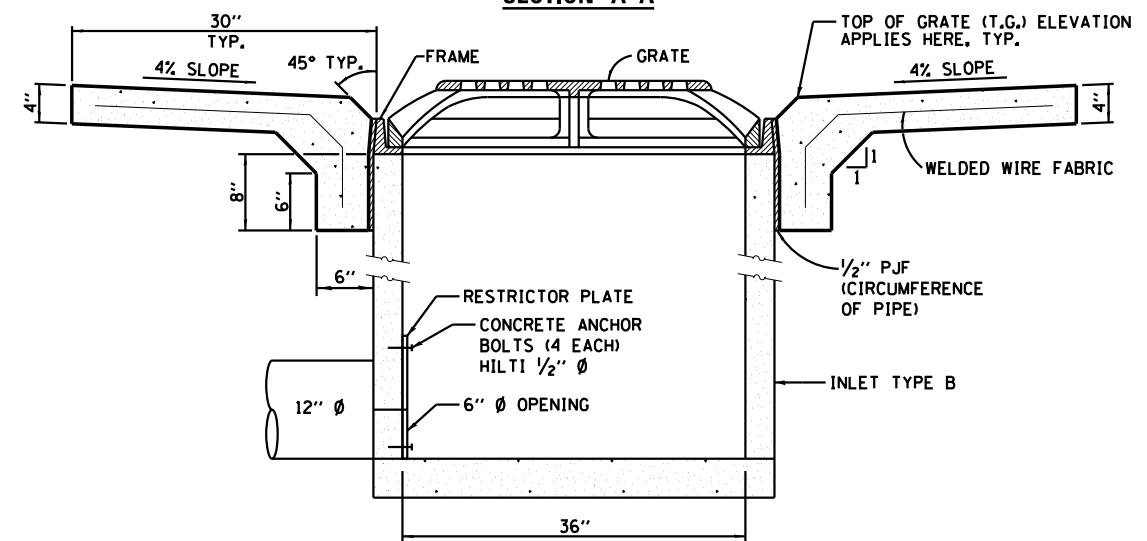
INLET CALL OUT DETAIL



INLET TYPE B WITH MEDIAN INLET (604106)



SECTION A-A



SECTION B-B

USER NAME = dmeyer	DESIGNED - JJO	REVISED - 02/06/13
PLOT SCALE = 2.0000' / in.	DRAWN - JJO	REVISED -
PLOT DATE = 2/6/2013	CHECKED - PJM	REVISED -
	DATE - 10/18/12	REVISED -