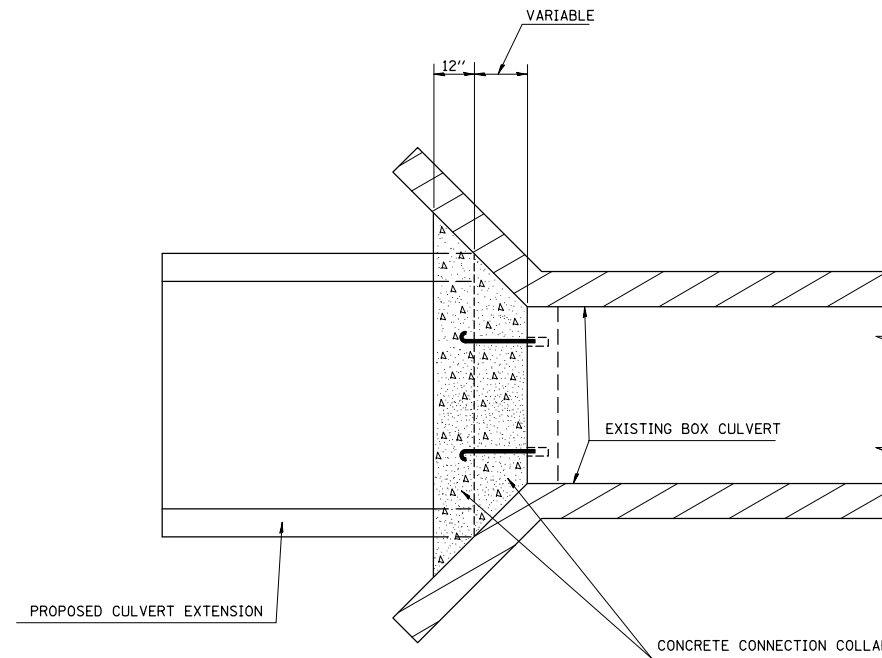
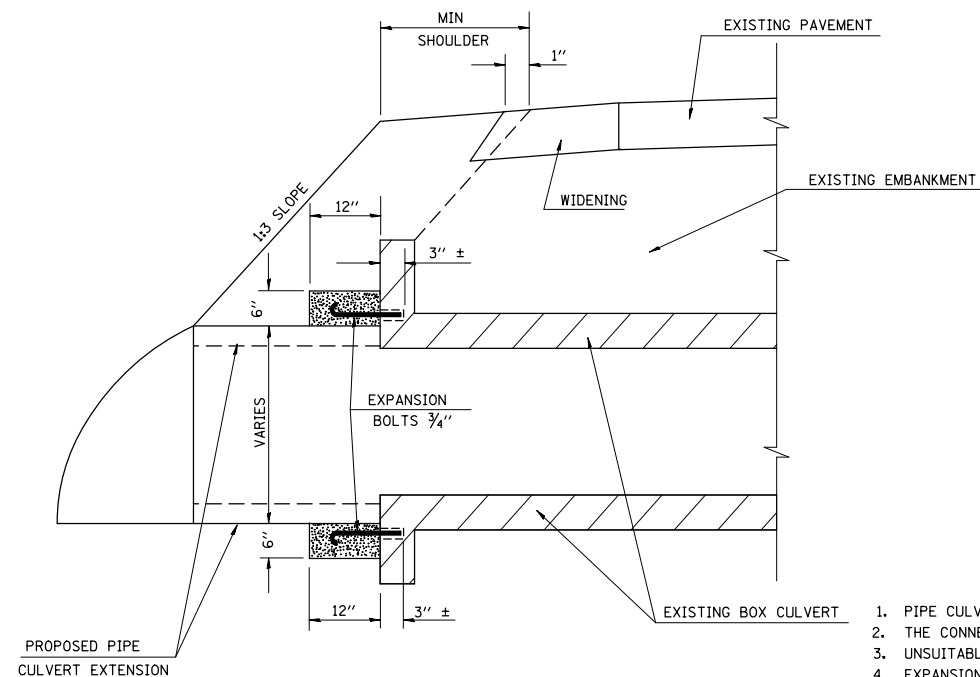


EXPANSION BOLT LAYOUT
NOT TO SCALE

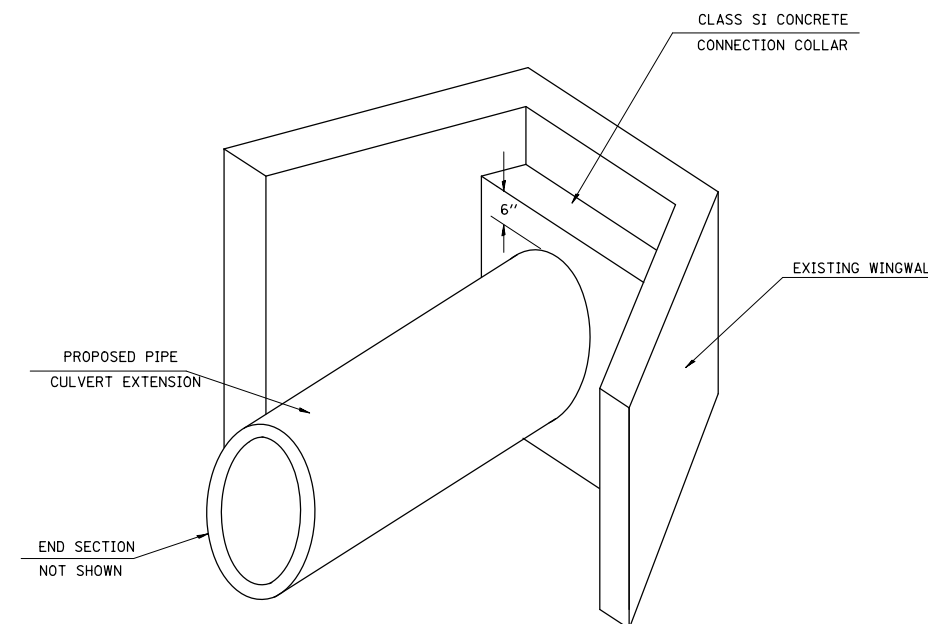


PLAN VIEW
NOT TO SCALE



EXPANSION BOLT AND CONNECTION COLLAR DETAILS
NOT TO SCALE

1. PIPE CULVERT EXTENSION TO BE CENTERED ON BOX CULVERT OPENING
2. THE CONNECTION COLLAR SHALL BE CLASS X CONCRETE THROUGHOUT
3. UNSUITABLE MATERIAL SHALL BE DISPOSED OF AS PER THE STANDARD SPECIFICATIONS
4. EXPANSION BOLTS SHALL CONSIST OF SELF-DRILLING EXPANSION SHIELDS AND 3/4\"/>



PIPE CULVERT EXTENSION SKETCH
NOT TO SCALE

FILE NAME =	USER NAME = millerra	DESIGNED -	REVISED -
et:\pw\work\p\dot\millerra\0249132\0876f92-sht-plan-2.dgn		DRAWN -	REVISED -
	PLOT SCALE = 100.0000' / 1in.	CHECKED -	REVISED -
	PLOT DATE = 5/17/2013	DATE -	REVISED -

**STATE OF ILLINOIS
DEPARTMENT OF TRANSPORTATION**

DETAILS OF BOX CULVERT EXTENSIONS (WITH PIPE CULVERTS)			
SCALE: NTS	SHEET NO. 2 OF 2 SHEETS	STA.	TO STA.

F.A.P. RTE.	SECTION	COUNTY	TOTAL SHEETS	SHEET NO.
312	(74-1,75,75-1)RS-3	RANDOLPH	130	36
CONTRACT NO. 76F92				
FED. ROAD DIST. NO. ILLINOIS FED. AID PROJECT				