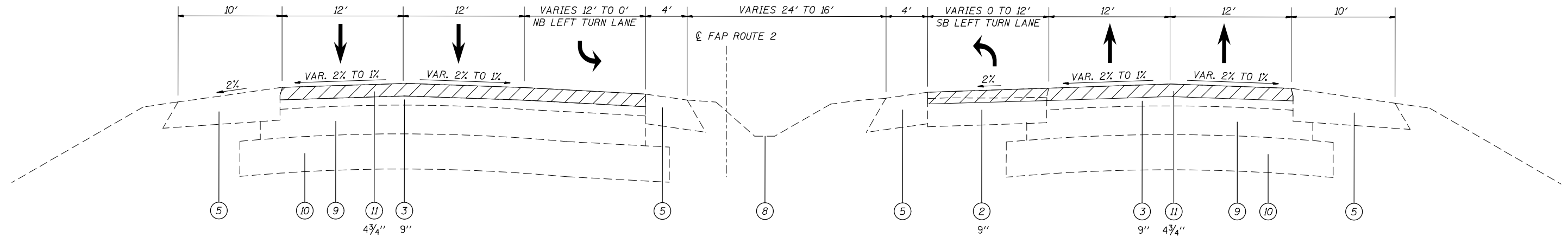
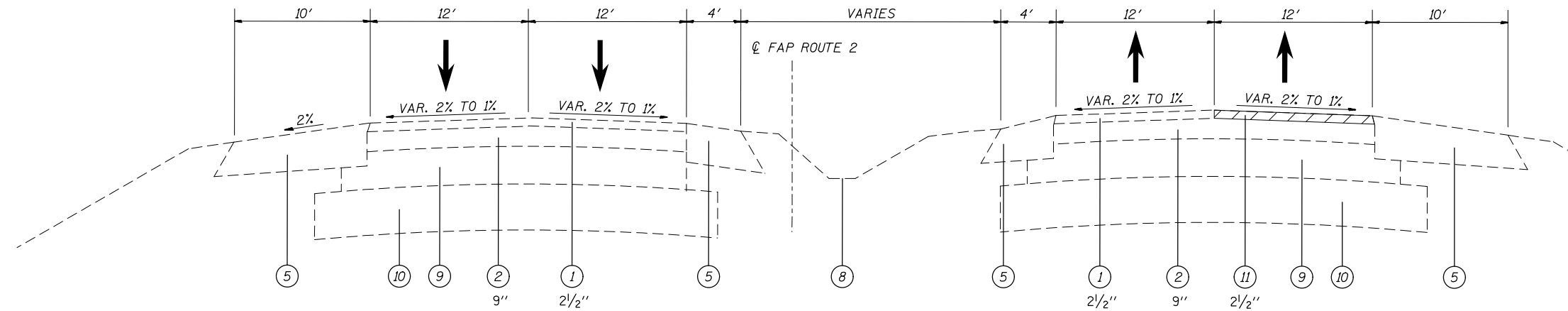


IL 3 EXISTING TYPICAL SECTIONS AT NEW POAG RD.



EXISTING IL 3
STA. 1198+45.00 TO STA. 1213+08.00



EXISTING IL 3
STA. 1213+08.00 TO STA. 1341+50.00

LEGEND

- ① EXISTING RESURFACING, *
- ② EXISTING PCC PAVEMENT, *
- ③ EXISTING HMA PAVEMENT, *
- ④ EXISTING CONCRETE CURB & GUTTER, TYPE B-6.24
- ⑤ EXISTING HMA SHOULDERS
- ⑥ EXISTING AGGREGATE SHOULDERS
- ⑦ EXISTING PIPE UNDERDRAINS
- ⑧ EXISTING CONCRETE MEDIAN SURFACE
- ⑨ EXISTING GRAVEL OR CRUSHED STONE BASE, TYPE A
- ⑩ EXISTING SUB-BASE
- ⑪ PROPOSED HMA SURFACE REMOVAL, *
- ⑫ PROPOSED POLYMERIZED HMA SURFACE COURSE, MIX "E", N90, *
- ⑬ PROPOSED POLYMERIZED HMA BINDER COURSE, IL-19.0, FG, N90, *
- ⑭ PROPOSED BITUMINOUS MATERIALS (PRIME COAT)
- ⑮ PROPOSED HMA SHOULDER, 2 1/2"

* SEE TYPICALS FOR DEPTHS.

FILE NAME =	USER NAME = elyaskordto	DESIGNED -	REVISED -	STATE OF ILLINOIS DEPARTMENT OF TRANSPORTATION	EXISTING TYPICAL SECTIONS			F.A. RTE.	SECTION	COUNTY	TOTAL SHEETS	SHEET NO.
es:\pwork\pwork\elyaskordto\10316383\1076g06-sht-plan.dgn		DRAWN -	REVISED -		2	(101, 102)RS-2, 202RS-4	MADISON	69	8			
MODELNAME	PLOT SCALE = 100.1553' / in.	CHECKED -	REVISED -		SCALE: SHEET 3 OF 5 SHEETS STA. TO STA.			CONTRACT NO. 76G06				
	PLOT DATE = 4/12/2013	DATE -	REVISED -		ILLINOIS FED. AID PROJECT							