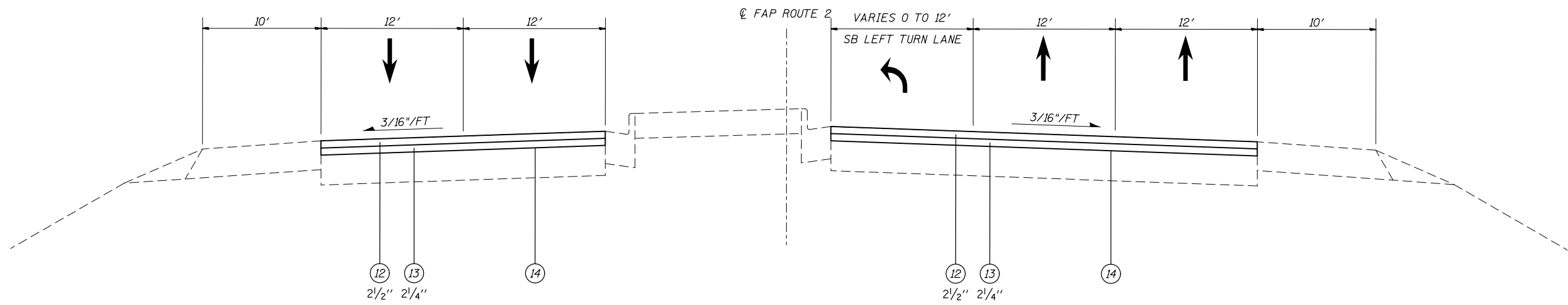
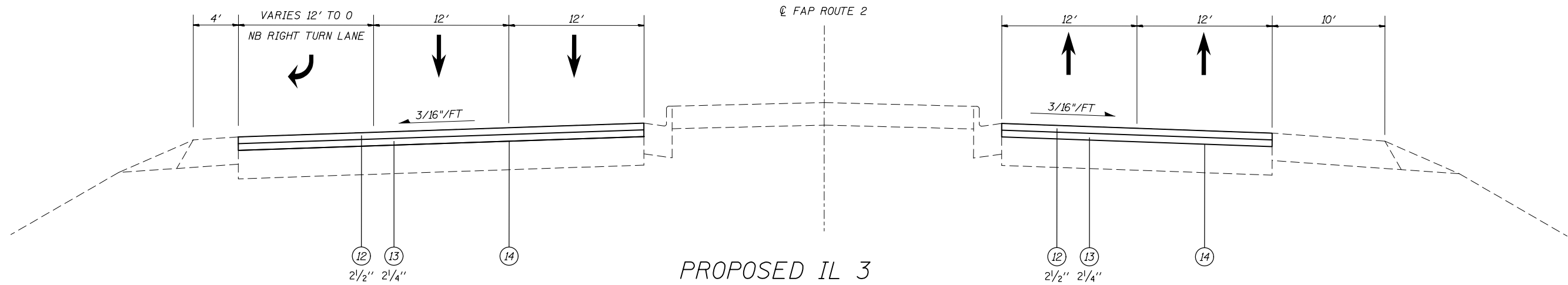


IL 3 PROPOSED TYPICAL SECTIONS AT IL 143



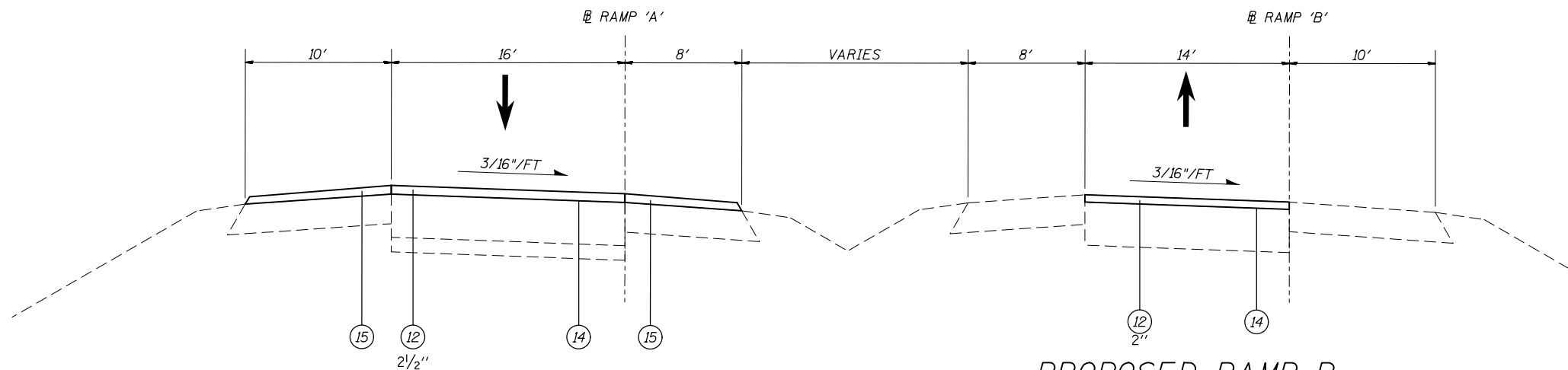
PROPOSED IL 3

STA. 988+98.00 TO STA. 996+00.31



PROPOSED IL 3

STA. 996+00.31 TO STA. 1002+44.00



PROPOSED RAMP A

STA. 01+25.00 TO STA. 07+58.00

PROPOSED RAMP B

STA. 05+38.00 TO STA. 18+09.00
TAPER VARIES FROM 0' TO 14' @
STA. 0+00.00 TO 05+38.16 &
STA. 18+09.00 TO STA. 26+64.00

LEGEND

- ① EXISTING RESURFACING, *
 - ② EXISTING PCC PAVEMENT, *
 - ③ EXISTING HMA PAVEMENT, *
 - ④ EXISTING CONCRETE CURB & GUTTER, TYPE B-6.24
 - ⑤ EXISTING HMA SHOULDERS
 - ⑥ EXISTING AGGREGATE SHOULDERS
 - ⑦ EXISTING PIPE UNDERDRAINS
 - ⑧ EXISTING CONCRETE MEDIAN SURFACE
 - ⑨ EXISTING GRAVEL OR CRUSHED STONE BASE, TYPE A
 - ⑩ EXISTING SUB-BASE
 - ⑪ PROPOSED HMA SURFACE REMOVAL, *
 - ⑫ PROPOSED POLYMERIZED HMA SURFACE COURSE, MIX "E", N90, *
 - ⑬ PROPOSED POLYMERIZED HMA BINDER COURSE, IL-19.0, FG, N90, *
 - ⑭ PROPOSED BITUMINOUS MATERIALS (PRIME COAT)
 - ⑮ PROPOSED HMA SHOULDER, 2 1/2"
- * SEE TYPICALS FOR DEPTHS.

FILE NAME =	USER NAME = elyaskordio	DESIGNED -	REVISED -
es:\pw\work\p10dot\elyaskordio\10316383\1076g06-sht-plan.dgn		DRAWN -	REVISED -
	PLOT SCALE = 100.1553' / in.	CHECKED -	REVISED -
MODELNAME	PLOT DATE = 4/12/2013	DATE -	REVISED -

STATE OF ILLINOIS
DEPARTMENT OF TRANSPORTATION

PROPOSED TYPICAL SECTIONS

SCALE: SHEET 1 OF 5 SHEETS STA. TO STA.

F.A. RTE.	SECTION	COUNTY	TOTAL SHEETS	SHEET NO.
2	(101, 102)RS-2, 202RS-4	MADISON	69	11
				CONTRACT NO. 76G06
ILLINOIS FED. AID PROJECT				