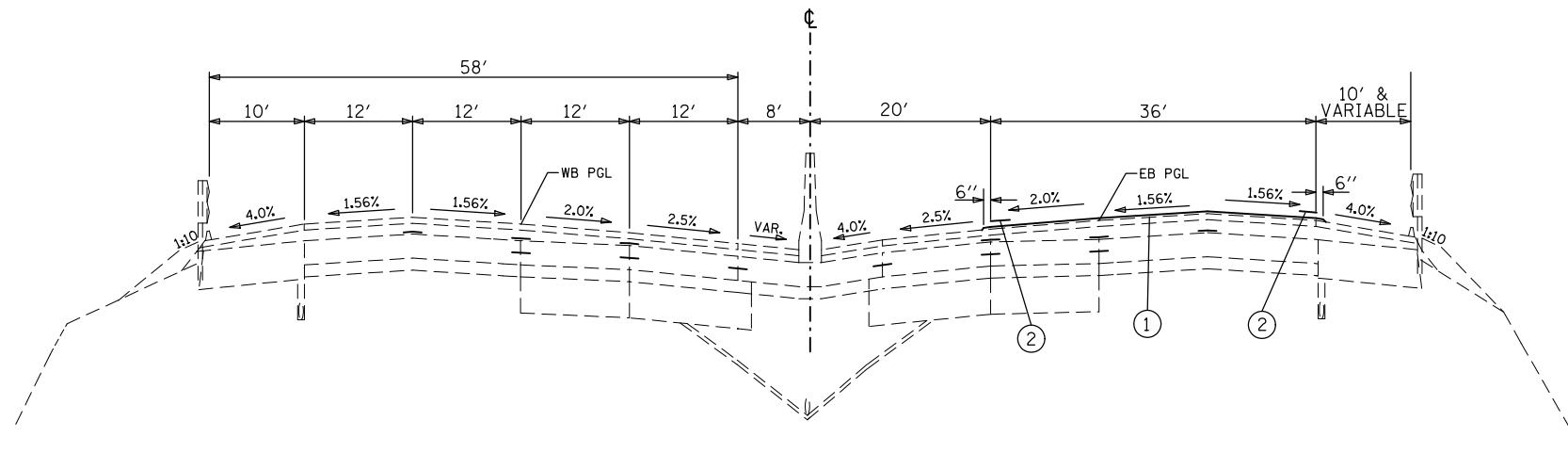
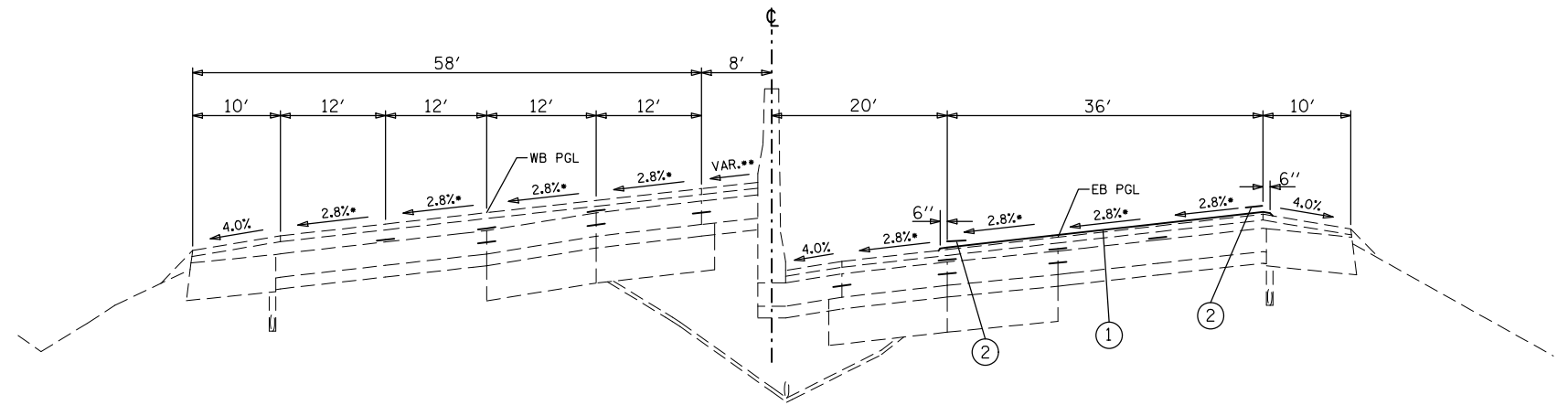


LEGEND

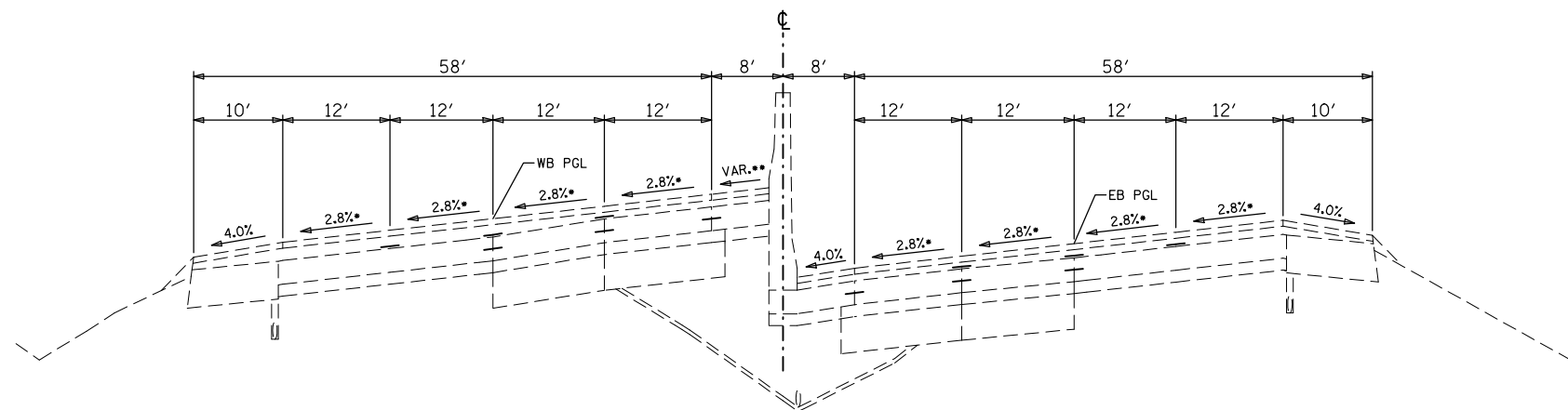
- ① PROP. MICRO-SURFACING SINGLE PASS, TYPE II, 1/2" (WITH RUT FILLING)
- ② THERMOPLASTIC PAVEMENT MARKING, EDGELINE



STA. 417+08.89 TO STA. 435+43.93 EB  
 STA. 434+54.13 WB



STA. 435+43.93 EB TO STA. 443+00 EB  
 STA. 434+54.13 WB TO STA. 443+00 WB



STA. 443+00 EB TO STA. 452+41.86 EB  
 STA. 443+00 WB TO STA. 451+93.21 WB

STA. 456+82.38 EB TO STA. 466+57.16 EB  
 STA. 458+93.21 WB TO STA. 467+46.96 WB

STA. 548+60.20 EB TO STA. 559+48.32 EB  
 STA. 547+70.40 WB TO STA. 560+38.12 WB

FILE NAME =	USER NAME = conoverpj	DESIGNED -	REVISED -
et:\pw\work\p\dot\conoverpj\d0329453\d076g18-sh-typical.dgn		DRAWN -	REVISED -
	PLOT SCALE = 100.0000' / in.	CHECKED -	REVISED -
	PLOT DATE = 3/26/2013	DATE -	REVISED -

STATE OF ILLINOIS  
 DEPARTMENT OF TRANSPORTATION

PROPOSED TYPICAL SECTIONS

SCALE: SHEET NO. 4 OF 11 SHEETS STA. TO STA.

F.A.I. RTE.	SECTION	COUNTY	TOTAL SHEETS	SHEET NO.
64	82-(4,5,6,7)-1R-1	ST. CLAIR	55	19
CONTRACT NO. 76G18				
FED. ROAD DIST. NO. ILLINOIS FED. AID PROJECT				