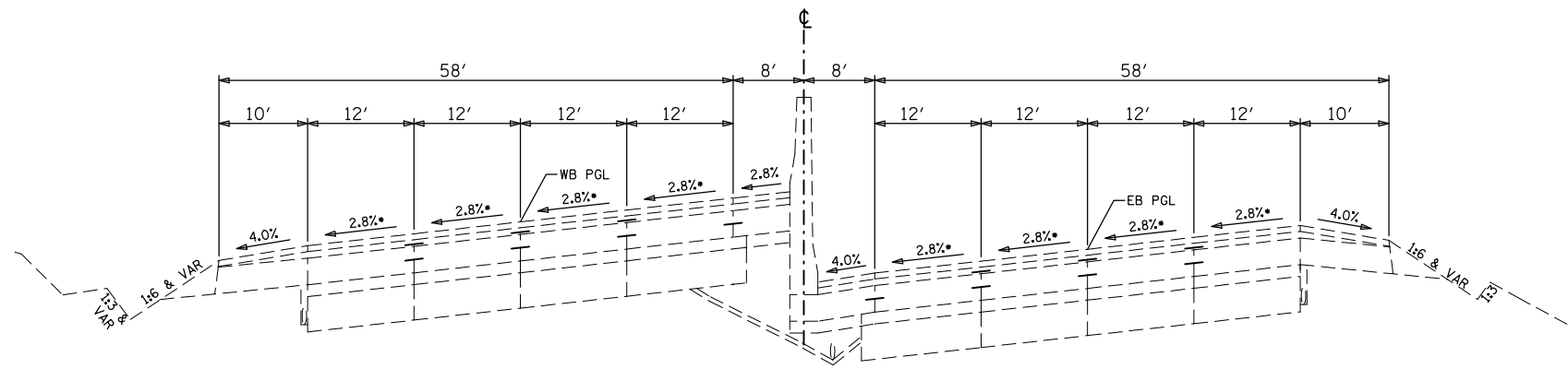
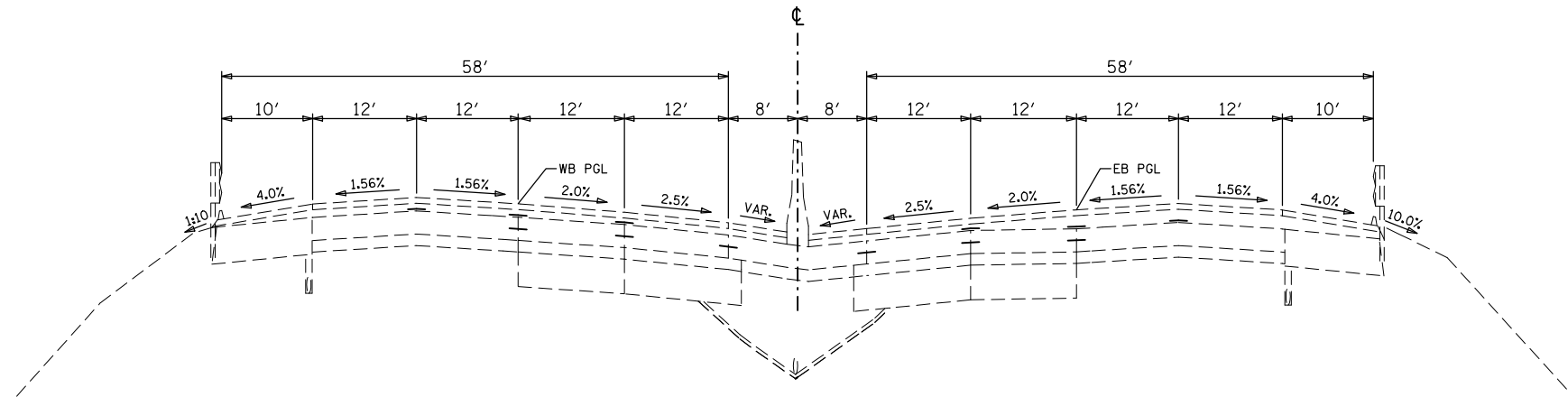


LEGEND

- ① PROP. MICRO-SURFACING SINGLE PASS, TYPE II, 1/2" (WITH RUT FILLING)
- ② THERMOPLASTIC PAVEMENT MARKING, EDGELINE



STA. 452+41.86 EB TO STA. 456+82.38 EB
 STA. 451+93.21 WB TO STA. 458+93.21 WB



STA. 466+57.16 EB TO STA. 506+92.82 EB
 STA. 467+46.96 WB TO STA. 504+07.00 WB
 STA. 521+38.92 EB TO STA. 548+60.20 EB
 STA. 510+34.00 WB TO STA. 547+70.40 WB
 STA. 607+83.78 EB TO STA. 613+80.02
 STA. 606+93.98 WB
 STA. 693+92.51 EB TO STA. 725+00 EB
 STA. 692+18.71 WB TO STA. 705+00 WB

FILE NAME =	USER NAME = conoverpj	DESIGNED -	REVISED -
et:\pw\work\p\dot\conoverpj\d0329453\d076g18-sh-typical.dgn		DRAWN -	REVISED -
	PLOT SCALE = 100.0000' / 1in.	CHECKED -	REVISED -
	PLOT DATE = 3/26/2013	DATE -	REVISED -

STATE OF ILLINOIS
 DEPARTMENT OF TRANSPORTATION

PROPOSED TYPICAL SECTIONS

SCALE: SHEET NO. 5 OF 11 SHEETS STA. TO STA.

F.A.I. RTE.	SECTION	COUNTY	TOTAL SHEETS	SHEET NO.
64	82-(4,5,6,7)-1R-1	ST. CLAIR	55	20
CONTRACT NO. 76G18				
FED. ROAD DIST. NO. ILLINOIS FED. AID PROJECT				