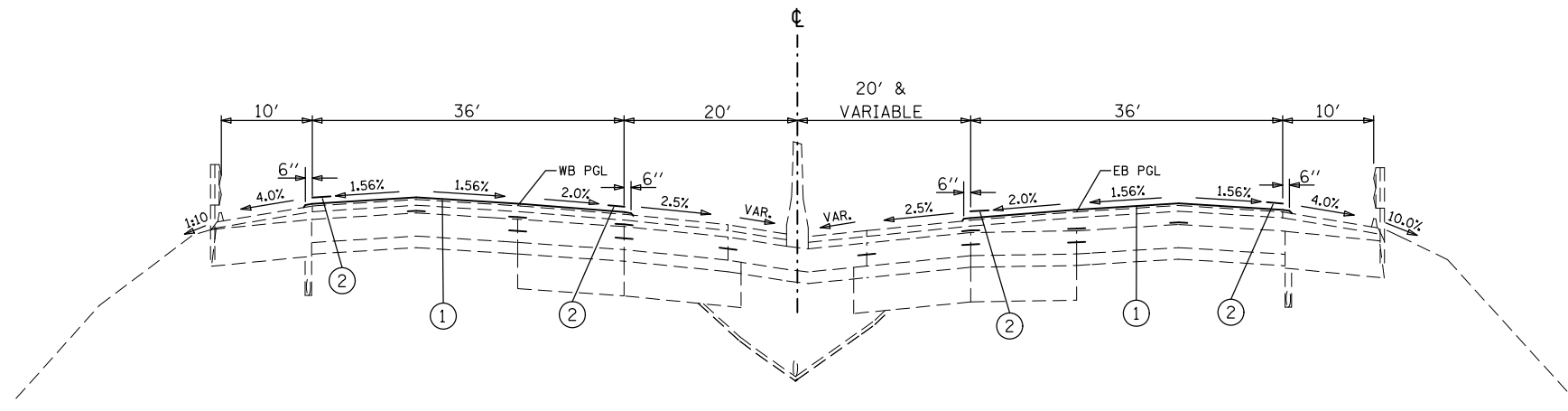
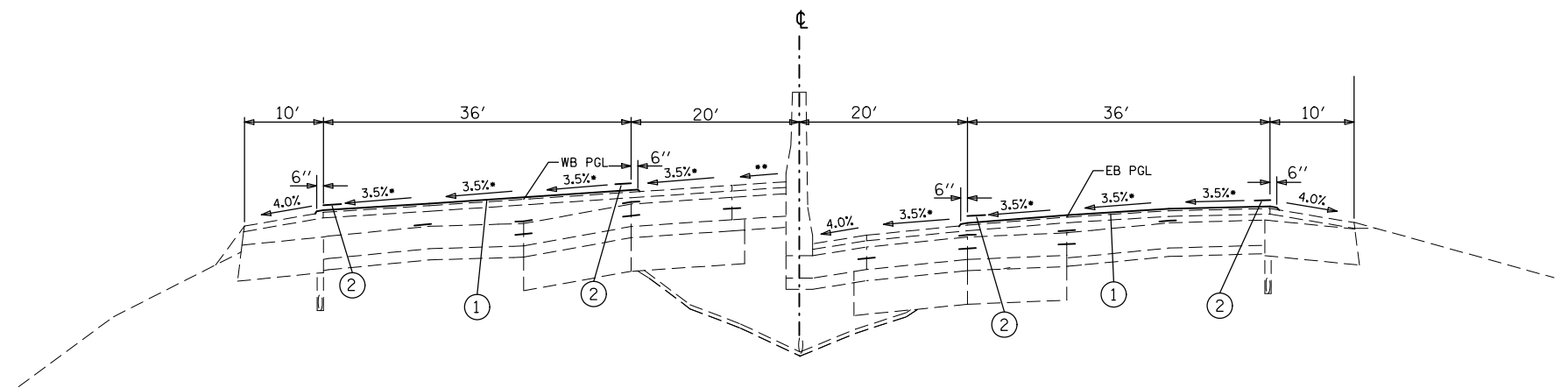


LEGEND

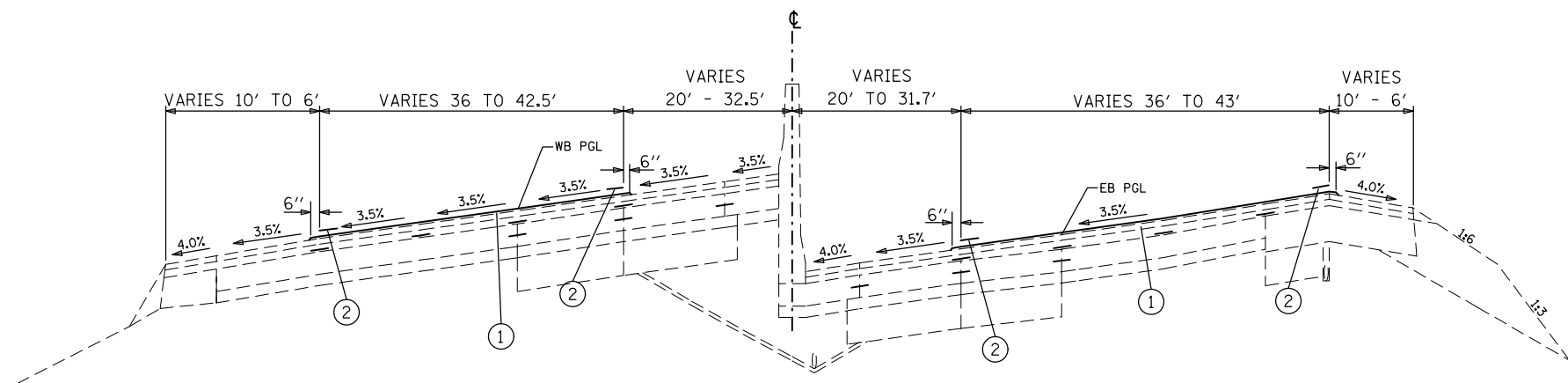
- ① PROP. MICRO-SURFACING SINGLE PASS, TYPE II, 1/2" (WITH RUT FILLING)
- ② THERMOPLASTIC PAVEMENT MARKING, EDGELINE



STA. 725+00 EB TO STA. 732+09.69 EB  
 STA. 705+00 WB TO STA. 730+77.89 WB



STA. 732+09.69 EB TO STA. 735+74.76  
 STA. 730+77.89 WB TO STA. 735+74.76



STA. 735+74.76 TO STA. 744+15.00

FILE NAME =	USER NAME = conoverpj	DESIGNED -	REVISED -
et:\pw\work\p\dot\conoverpj\d0329453\d076gl8-sh-typical.dgn		DRAWN -	REVISED -
	PLOT SCALE = 100.0000' / 1in.	CHECKED -	REVISED -
	PLOT DATE = 3/26/2013	DATE -	REVISED -

STATE OF ILLINOIS  
 DEPARTMENT OF TRANSPORTATION

PROPOSED TYPICAL SECTIONS

SCALE: SHEET NO. 11 OF 11 SHEETS STA. TO STA.

F.A.I. RTE.	SECTION	COUNTY	TOTAL SHEETS	SHEET NO.
64	82-(4,5,6,7)-1R-1	ST. CLAIR	55	26
CONTRACT NO. 76G18				
FED. ROAD DIST. NO. ILLINOIS FED. AID PROJECT				