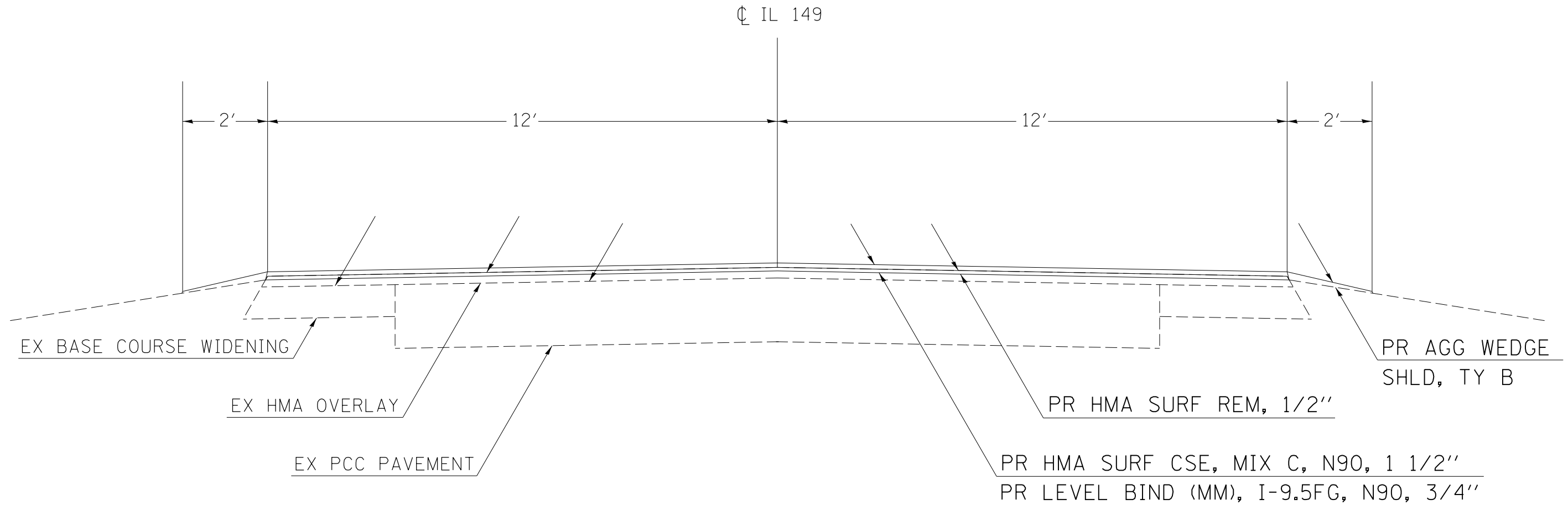


TYPICAL SECTION #1

12' LANES



TO BE USED:
 STA 161+12 TO STA 175+78
 STA 182+01 TO STA 195+91

FILE NAME =	USER NAME = \$USER\$	DESIGNED -	REVISED -	STATE OF ILLINOIS DEPARTMENT OF TRANSPORTATION	TYPICAL SECTION				F.A.P. RTE.	SECTION	COUNTY	TOTAL SHEETS	SHEET NO.
c:\pwork\pwork\kellykd\0336015\78358	8-sht.pln.dgn	DRAWN -	REVISED -		873	105RS-3	FRANKLIN	19	8				
\$MODELNAME\$	PLOT SCALE = 100.0000' / 1in.	CHECKED -	REVISED -		CONTRACT NO. 78358				ILLINOIS FED. AID PROJECT				
	PLOT DATE = 3/22/2013	DATE -	REVISED -		SCALE:	SHEET NO.	OF SHEETS	STA.	TO STA.				