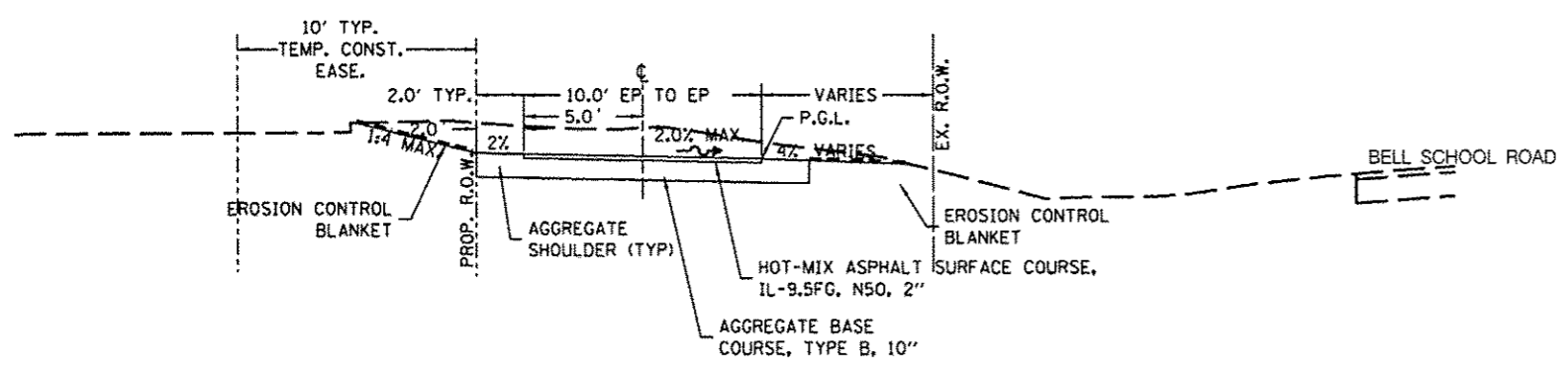
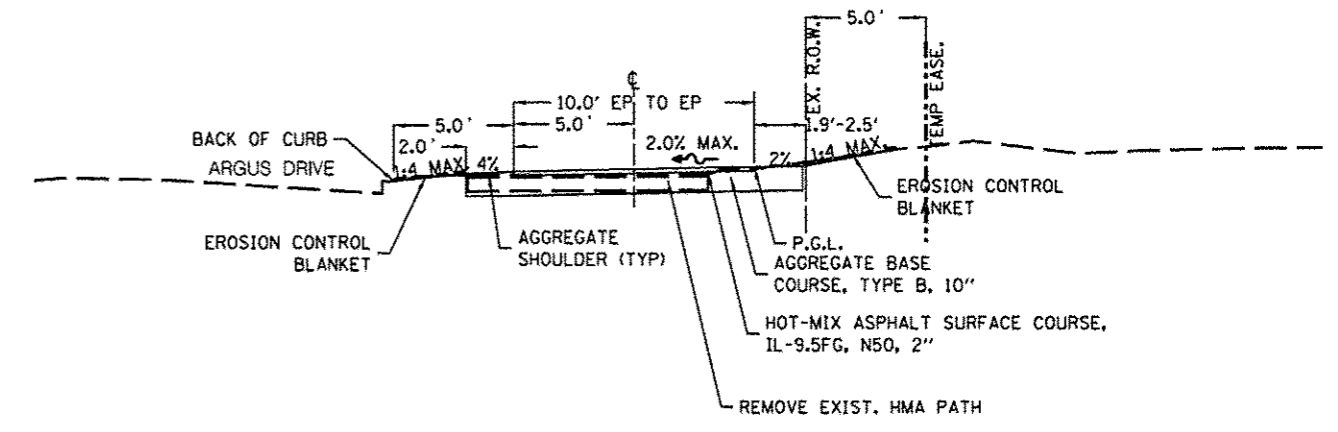


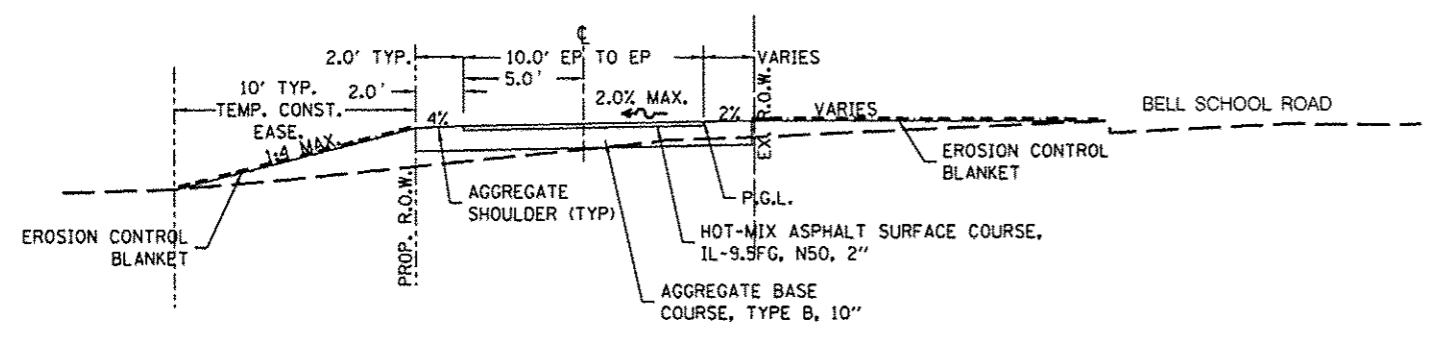
TYPICAL 23
BELL SCHOOL ROAD
STA. 131+19.37 TO STA. 138+20.00



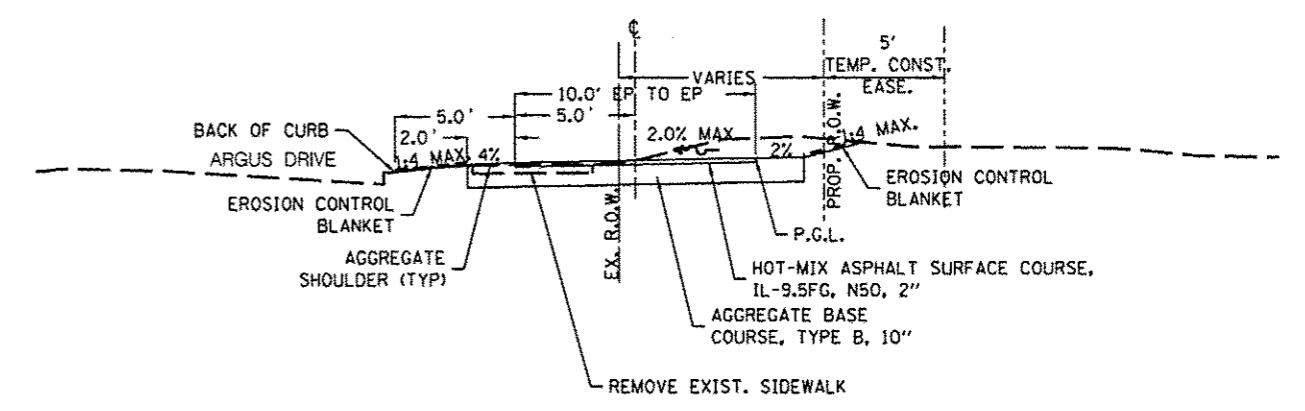
TYPICAL 27
ARGUS DRIVE
STA. 157+50.00 TO STA. 164+60.00



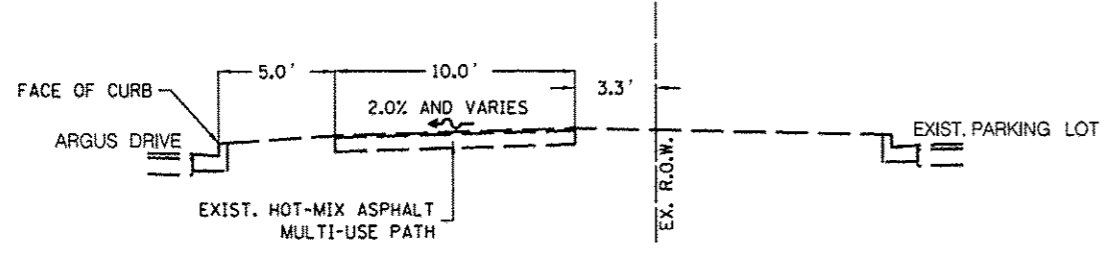
TYPICAL 24
BELL SCHOOL ROAD
STA. 139+62.98 TO STA. 144+03.00



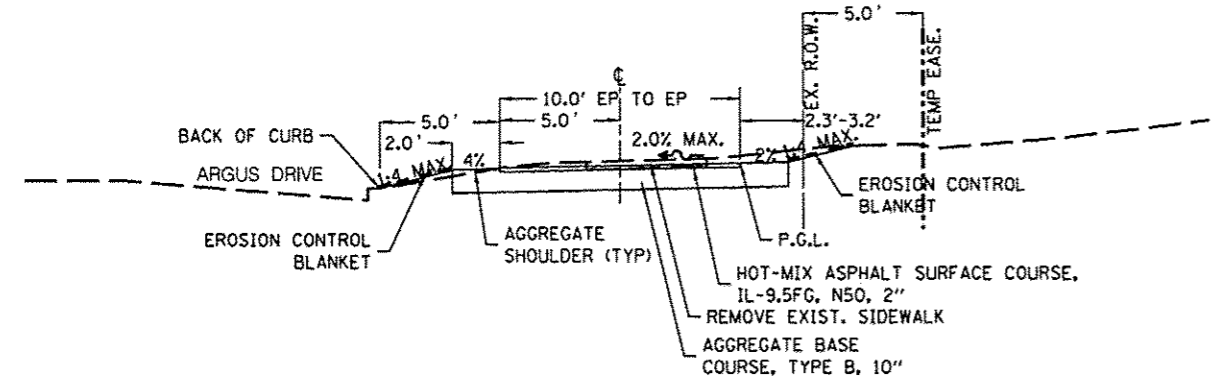
TYPICAL 28
ARGUS DRIVE
STA. 164+60.00 TO STA. 168+52.00



TYPICAL 25
ARGUS DRIVE
STA. 144+95.00 TO STA. 148+02.70



TYPICAL 26
ARGUS DRIVE
STA. 148+02.70 TO STA. 157+50.00



| MIXTURE USE(S): | RESURFACING | |
|---|---------------|---------------------|
| | PATH | OTHER |
| P.G. | PG 64-22 | PG 64-22 |
| DESIGN AIR VOIDS | 3.0 @ N50 | 3.0 @ N50 |
| MIXTURE COMPOSITION (GRADATION MIXTURE) | IL 9.5FG | IL 9.5, OR IL 9.5FG |
| FRICTION AGGREGATE | C | C |
| 20 YEAR ESAL | | |
| MIX UNIT WEIGHT | 112 LBS/SY/IN | 112 LBS/SY/IN |

GROWTH CURVE WILL BE USED FOR DENSITY

FILE = S:\PROJECTS\2008\1139001\PHASE 1\DESIGN\PHASE 2 TYPICAL SECTIONS.DGN

| REVISION | DATE | BY | REMARKS |
|----------|----------|-----|----------------------------------|
| 1 | 03/22/13 | TJA | 100T COMMENTS FROM JAN. 28, 2013 |

DRAWN: T.J.A.
CHECKED: C.J.B.
APPROVED: C.J.B.

WINNEBAGO COUNTY
VILLAGE OF CHERRY VALLEY
PERRYVILLE PATH SOUTHEAST CONNECTION

WILLETTS HOFMANN ASSOCIATES INC.
ENGINEERING ARCHITECTURE LAND SURVEYING
57 AIRPORT DRIVE, ROCKFORD, IL 61109
T: 815-964-3297 DESIGN PERM: 0184-000118

PERRYVILLE PATH
TYPICAL SECTIONS
SECTIONS 23-28

| SECTION | COUNTY | TOTAL SHEETS | SHEET NO. |
|----------------|------------------|--------------|-----------|
| 01-00302-00-BT | WINNEBAGO | 124 | 15 |
| STA. - STA. | DATE: 03/01/2013 | | |