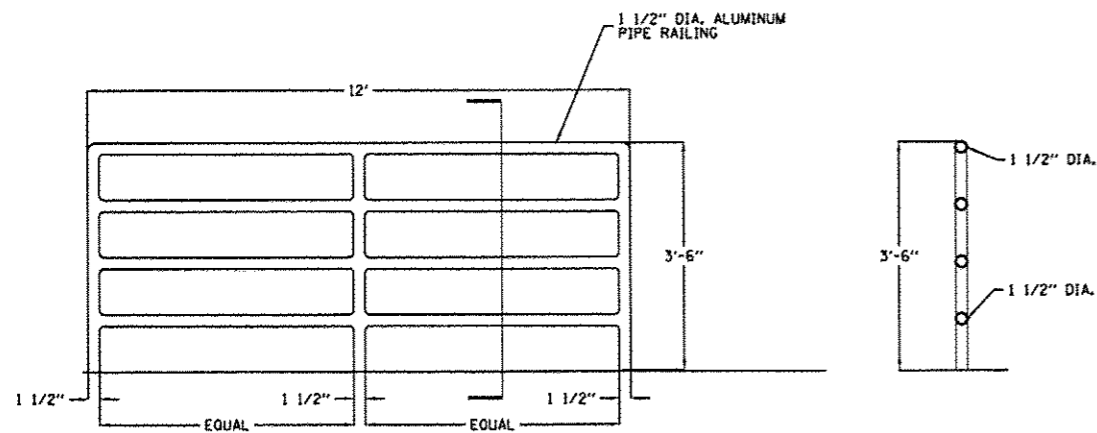
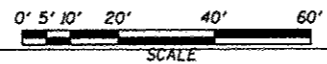
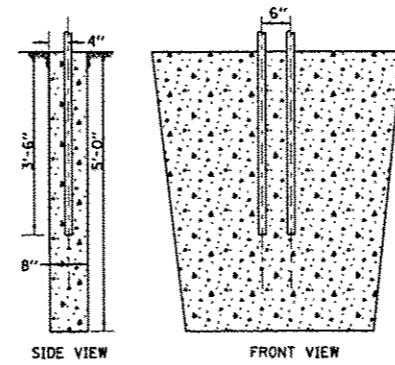


ELEVATION



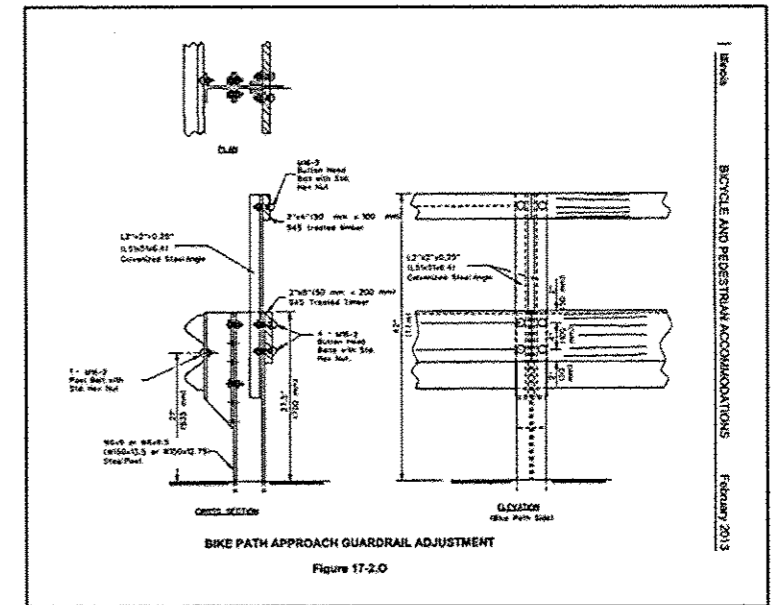
TYPICAL HANDRAIL DETAIL

NO SCALE



TYPICAL POST DETAIL

NO SCALE



BIKE PATH APPROACH GUARDRAIL ADJUSTMENT

Figure 17-2.0

BICYCLE AND PEDESTRIAN ACCOMMODATIONS February 2013

FILE: S:\PROJECTS\2001\1139081_Phase1\DESIGN\114-116\segmental block wall.dgn

REVISION	DATE	BY	REMARKS
*1	03/22/13	T.J.A.	DOT COMMENTS FROM JAN. 28, 2013

DRAWN	T.J.A.
CHECKED	C.J.B.
APPROVED	C.J.B.

WINNEBAGO COUNTY
VILLAGE OF CHERRY VALLEY
PERRYVILLE PATH SOUTHEAST CONNECTION



WILLET HOFMANN
ASSOCIATES INC.
ENGINEERING ARCHITECTURE LAND SURVEYING
57 AIRPORT DRIVE, ROCKFORD, IL 61109
TEL: 815-964-2527 DESIGN: 815-964-2527

TEMPLE COURT
MODULAR BLOCK RETAINING WALL DETAILS

STA. 84 + 17.7 TO STA. 86 + 75.0

SECTION	COUNTY	TOTAL SHEETS	SHEET NO.
01-00302-00-BT	WINNEBAGO	124	120
STA.	STA.		
WHA #: 1139001	DATE: 03/01/2013		