

FAS ROUTE NO	SEC	COUNTY	TOTAL SHEETS	SHEET NO
-	*	STEPHENSON	14	8

ILLINOIS PROJECT BROS-0177(045)

\* 12-03120-00-BR  
CONTRACT NO. 85587

SCALE: 1" = 1'

REVISIONS	DATE

DESIGNED BY	CHECKED BY	DATE

**wendler**  
 GEOTECHNICAL ENGINEERING SOLUTIONS  
 ENGINEERS-SURVEYORS-PLANNERS  
 www.wendlereng.com Ph: 815.288.2261  
 1800 Woodland Drive, Farmington, IL 62425

SUPERSTRUCTURE DETAILS  
 OF  
 NORTH REES ROAD BRIDGE  
 FOR  
 STEPHENSON COUNTY

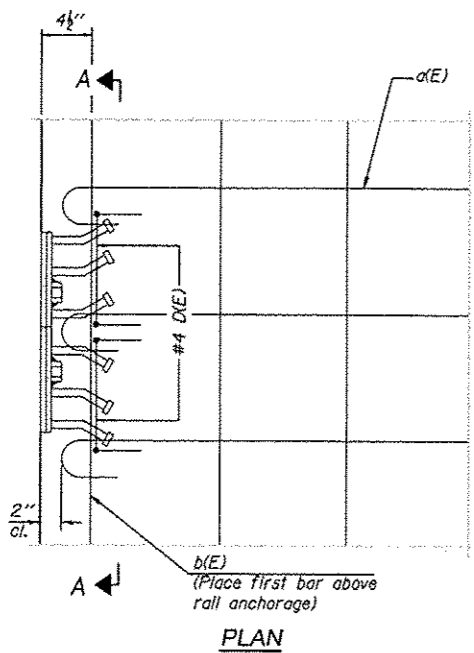
SHEET TITLE

DETAILS

JOB NUMBER  
2120077

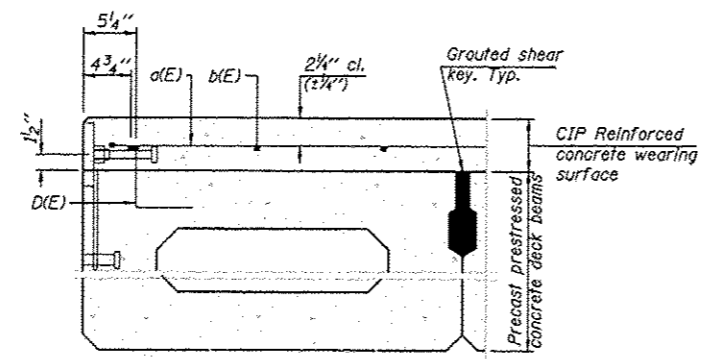
DATE  
3/22/2013

SHEET NO.  
8 of 14

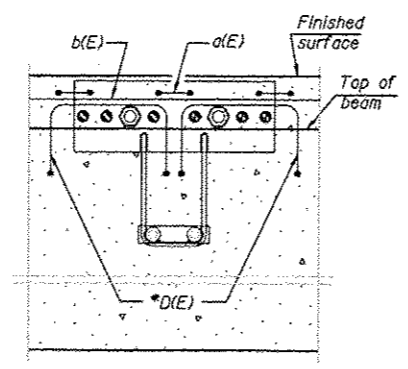


**PLAN**

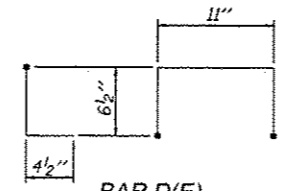
Notes:  
Formwork necessary for the wearing surface may be secured utilizing the bottom rail anchorage inserts and/or additional inserts cast into the beam.



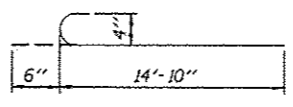
**SECTION THRU FASCIA BEAM**



**SECTION A-A**

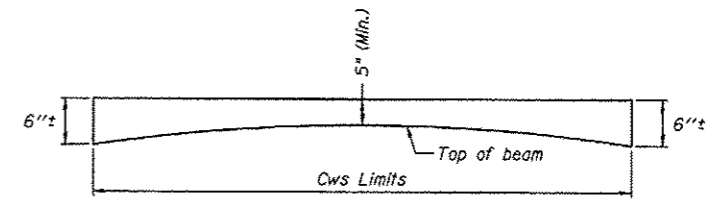


**BAR D(E)**  
Place 2-#4 D(E) bars in beam at each post location as shown. D(E) bar included in cost of beam.



**BAR a(E)**

**MINIMUM BAR LAP**  
#4 bar = 2'-0"



**ANTICIPATED CONCRETE WEARING SURFACE PROFILE**  
(For information only)

**SUPERSTRUCTURE BILL OF MATERIAL**

Bar	No.	Size	Length	Shape	
a(E)	122	#4	15'-4"	C	
b(E)	56	#4	30'-11"	—	
Reinforcement Bars, Epoxy Coated				Pound	2410
Concrete Wearing Surface, 5"				Sq. Yd.	187.2

S.N. 089-3286  
 27" X 48" PPC DECK BEAMS  
 CONCRETE OVERLAY DETAILS  
 SECTION 12-03120-00-BR  
 STEPHENSON COUNTY