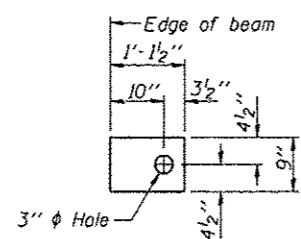


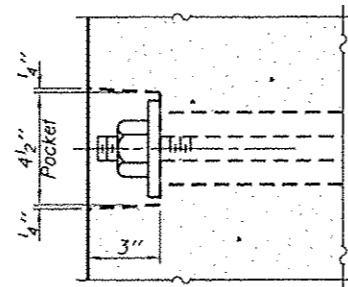
FABRIC BEARING PAD
(Interior)
(32 Required)



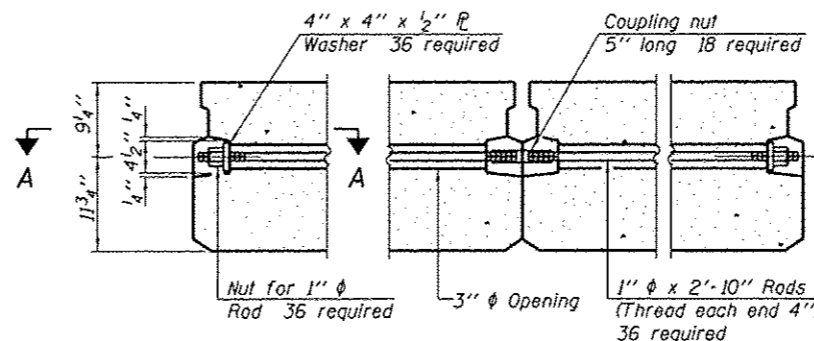
FABRIC BEARING PAD
(Exterior)
(15 Required)

FIXED

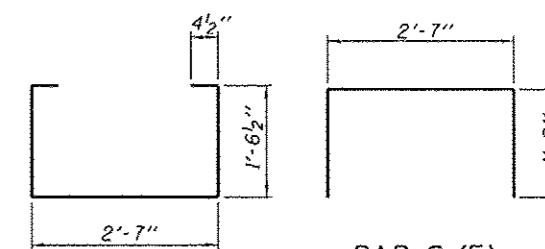
Note: All bearing pads shall be 1" thick.



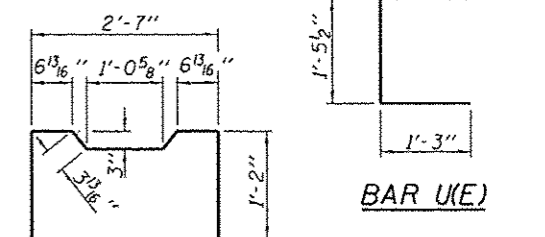
SECTION A-A



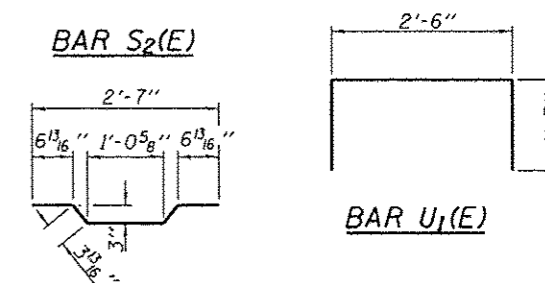
TYPICAL TRANSVERSE TIE ASSEMBLY



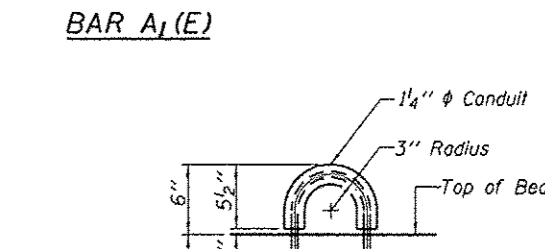
BAR S1(E)



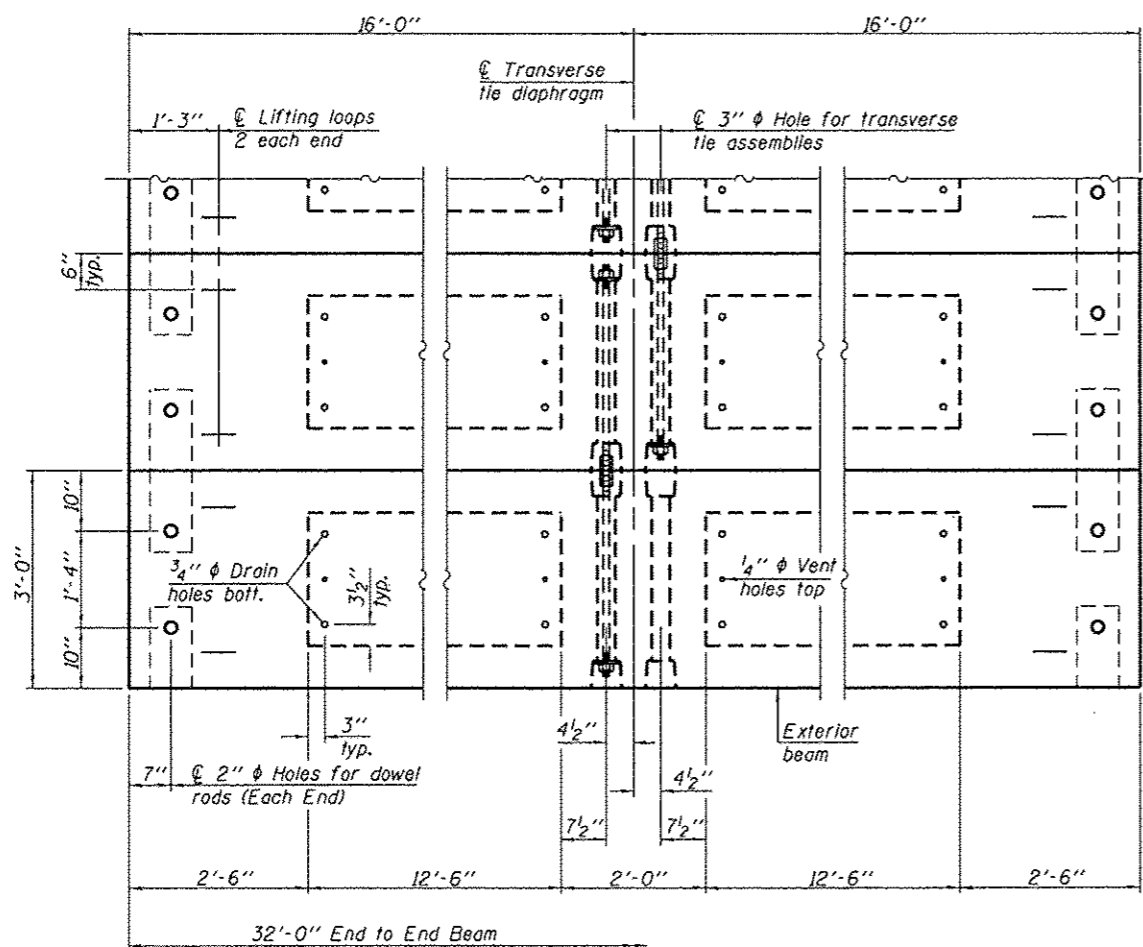
BAR U1(E)



BAR S2(E)



BAR A1(E)

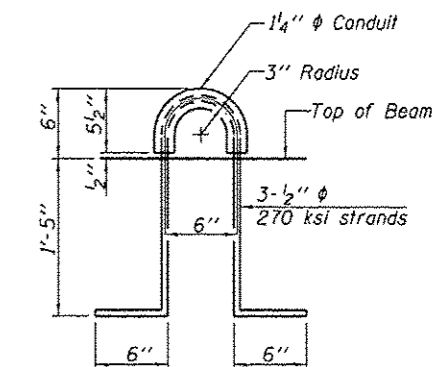


PLAN VIEW

Note: Connect beams in pairs with the transverse tie configuration shown.

NOTES

- Prestressing steel shall be uncoated high strength, low relaxation 7-wire strand, Grade 270. The nominal diameter shall be 1/2" and the nominal cross-sectional area shall be 0.153 sq. in.
- The 1" rods in the transverse tie assembly shall be tightened to a snug fit and the threads set. Pockets on exterior faces of bridge shall be filled with grout after transverse tie assembly is in place.
- Reinforcement bars shall conform to ASTM A 706, Grade 60.
- Two 1/8" fabric adjusting shims of the dimensions of the exterior bearing pad shall be provided for each bearing pad location. (96 Required)
- A minimum 2 1/2" lifting pin shall be used to engage the lifting loops during handling.
- Corrosion Inhibitor, per Article 1020.05(b)(12) and 1021.06 of the Standard Specifications, shall be used in the concrete for precast prestressed concrete deck beams.
- Compressive strength of prestressed concrete, f'c, shall be 6000 psi.
- Compressive strength of prestressed concrete at release, f'ci, shall be 5000 psi.
- Rail post inserts, specified elsewhere, shall be cast into the exterior face of the outside beams.
- See Special Provisions for review and distribution of shop drawings.



LIFTING LOOP DETAIL

BILL OF MATERIAL - SPANS 1 & 3

Precast Prestressed Conc. Deck Bms. (21" depth)	Sq. Ft.	1,920
---	---------	-------

Estimated Total Weight (One Beam) = 20,100 Pounds

FILE NAME * 12-548_SUPERSTRUCTURE.dgn	USER NAME * rfitzanko	DESIGNED - J.A.M.	REVISIONS - REVISIONS - REVISIONS - REVISIONS -	FEHR GRAHAM ENGINEERING & ENVIRONMENTAL ILLINOIS DESIGN FIRM NO. 181-00225	FREEDPORT, IL ROCKFORD, IL ROCHELLE, IL SPRINGFIELD, IL MONROE, WI	21" X 36" PPC DECK BEAM DETAILS - SPAN 1 & 3 S.N. 004-3096 SHEET NO. 5 OF 15 SHEETS	T.R. 33	SECTION 12-08120-00-BR	COUNTY BOONE	TOTAL SHEETS 26	SHEET NO. 11	CONTRACT NO. 85589 ILLINOIS FED. AID PROJECT
--	--------------------------	----------------------	--	---	--	--	------------	---------------------------	-----------------	--------------------	-----------------	---