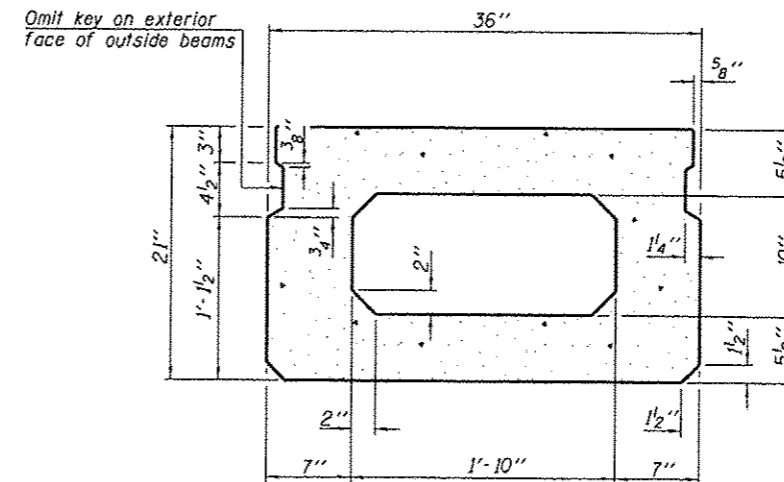
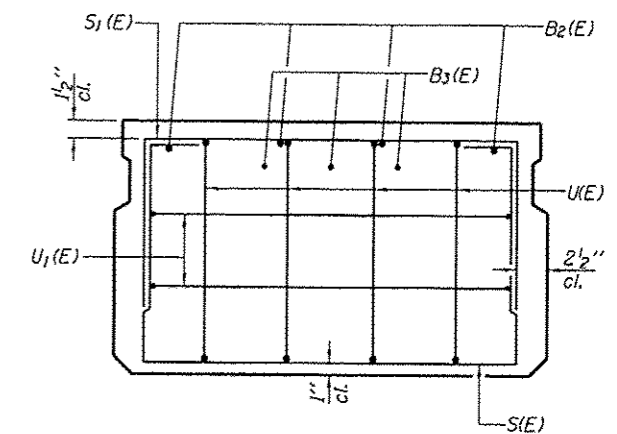


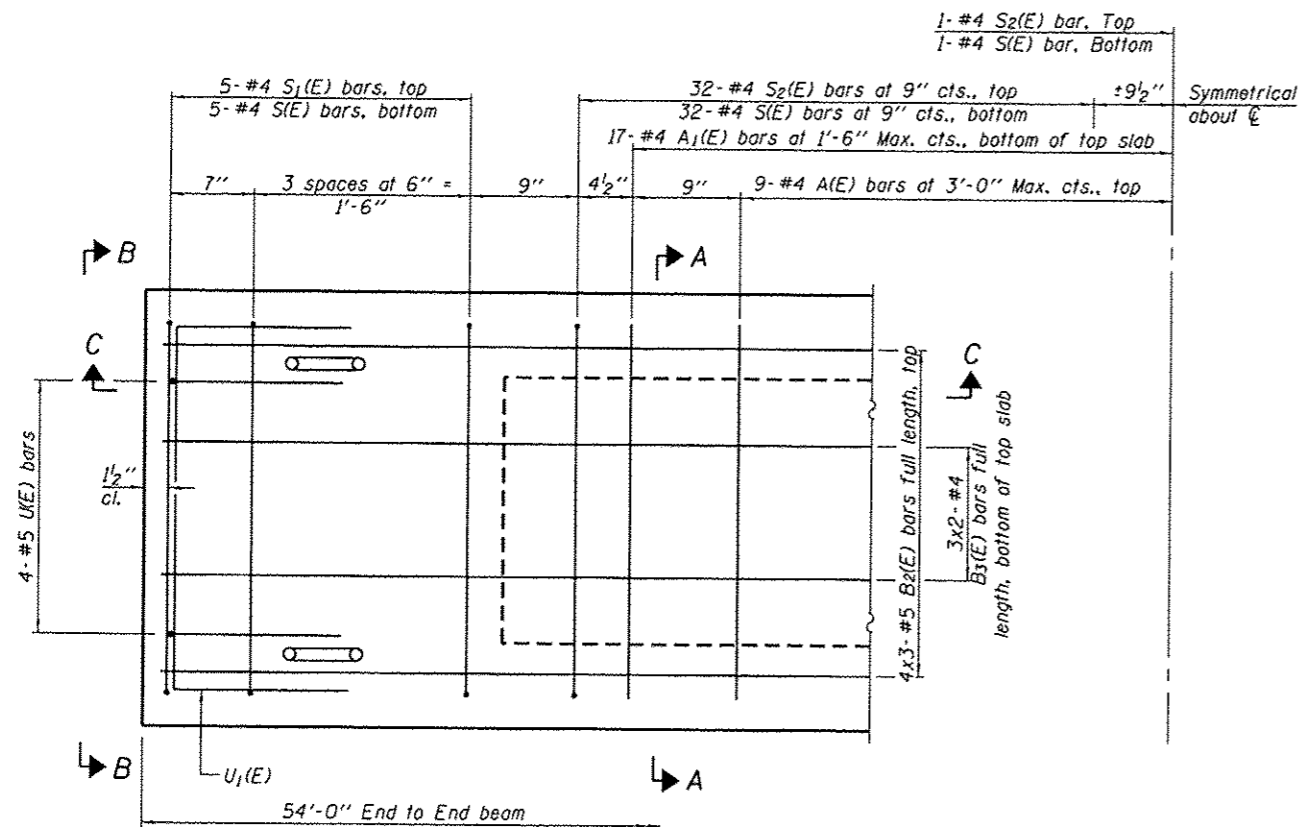
SECTION C-C



SECTION A-A
(Showing dimensions)



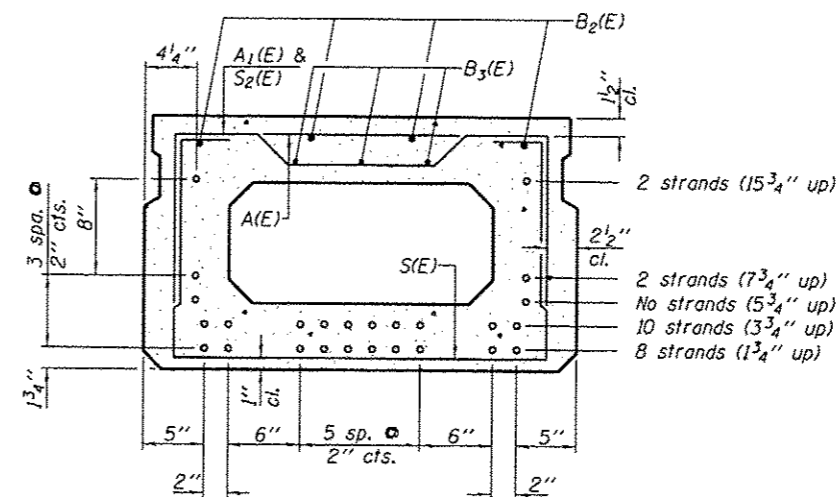
VIEW B-B



PLAN VIEW

Note: Spacing of S(E) and S2(E) bars may be adjusted up to 4" in the immediate area of the transverse tie diaphragms to miss the block outs for the transverse ties.

Bars indicated thus, 4x3-#5 bars etc., indicates 4 lines of bars with 3 lengths per line.



Use 22-1/2" ϕ strands at the locations shown.

SECTION A-A

(Showing reinforcement and permissible strand locations)

Note: Place the number of strands specified in each row symmetrically about the centerline of beam in the permissible strand locations shown.

MIN. BAR LAPS

#4	2'-0"
#5	2'-6"

BAR LIST

ONE BEAM ONLY - SPAN 2

(For information only)

Bar	No.	Size	Length	Shape
A(E)	17	#4	2'-7"	—
A1(E)	33	#4	2'-10"	—
B2(E)	12	#5	19'-8"	—
B3(E)	6	#4	28'-0"	—
S(E)	75	#4	6'-5"	□
S1(E)	10	#4	4'-11"	□
S2(E)	65	#4	5'-2"	□
U(E)	8	#5	4'-0"	□
U1(E)	4	#4	5'-0"	□

Note: See sheet 7 of 15 for additional details and Bill of Material. Reinforcement bars designated (E) shall be epoxy coated.

FILE NAME * 12-54B_SUPERSTRUCTURE.dgn

USER NAME * rfszanka

DESIGNED - J.A.M.

REVISIONS

PLOT SCALE * #SCALE#

CHECKED - A.R.K.

REVISIONS

PLOT DATE * 3/23/2013

DRAWN - A.D.S.

REVISIONS

FEHR GRAHAM
ENGINEERING & ENVIRONMENTAL
ILLINOIS DESIGN FIRM NO. 084-003825

FREPCORT, IL ROCKFORD, IL
ROCHELLE, IL SPRINGFIELD, IL
MONROE, WJ

21" X 36" PPC DECK BEAM - SPAN 2
S.N. 004-3096

SHEET NO. 6 OF 15 SHEETS

T.R.	SECTION	COUNTY	TOTAL SHEETS	SHEET NO.
33	12-08120-00-BR	BOONE	26	12
CONTRACT NO. 85589				

ILLINOIS FED. AID PROJECT