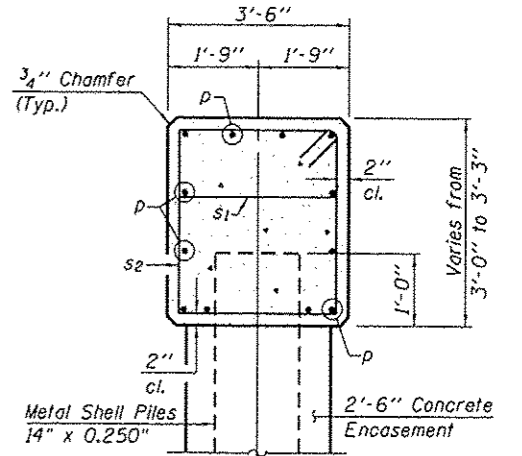
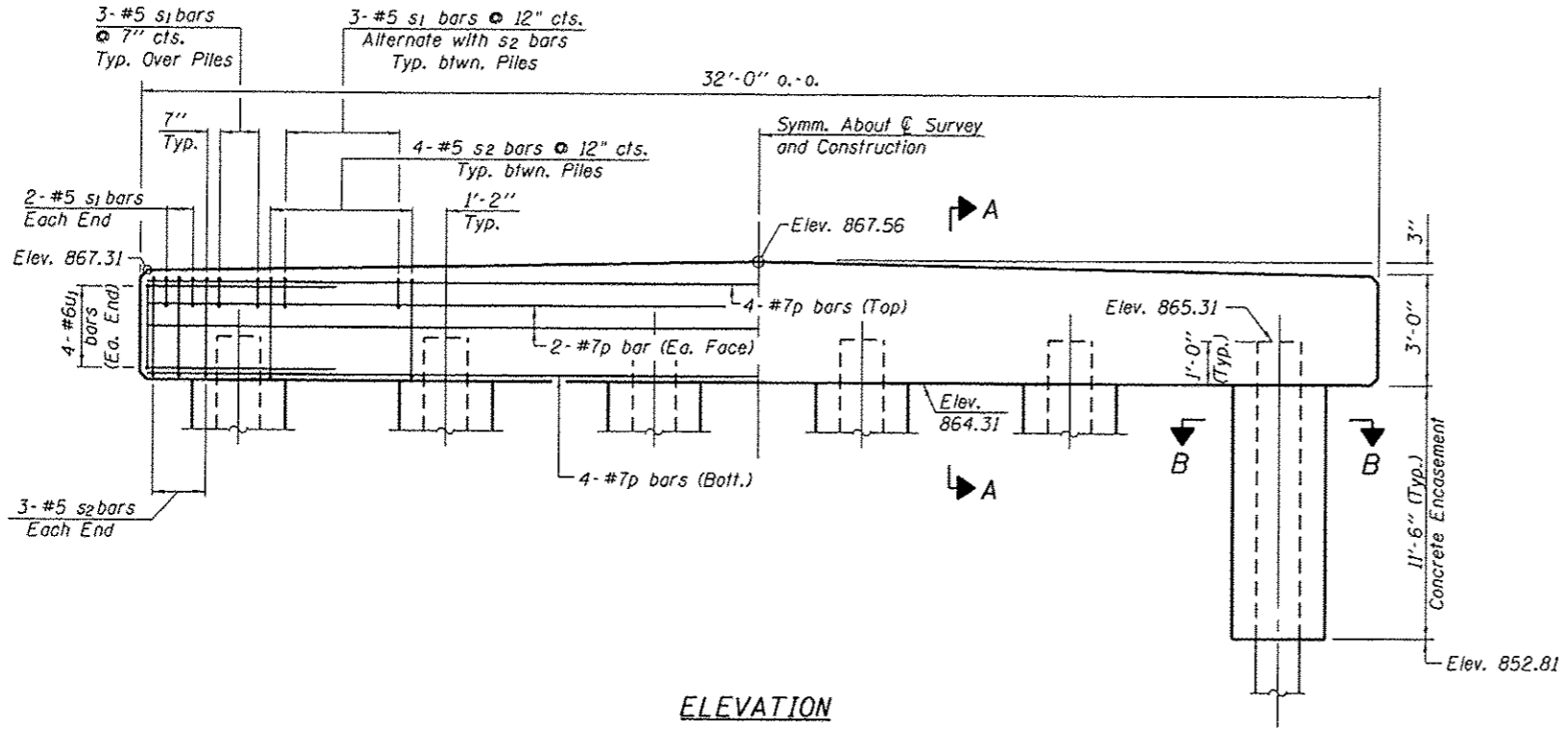


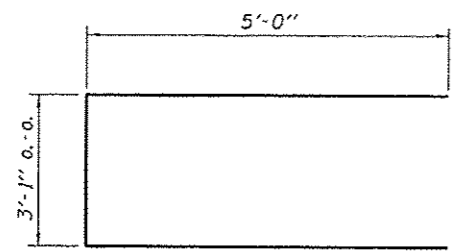
PLAN



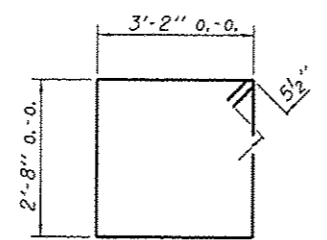
SECTION A-A



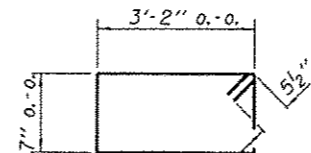
ELEVATION



BAR u1



BAR s2



BAR s1

PILE DATA

Type & Size..... Metal Shell Pile 14" x 0.250"  
 No. Req'd..... \*12  
 Nominal Required Bearing..... 350 kips  
 Factored Resistance Available..... 178 kips  
 Estimated Length..... 66'

\*Includes 1 Test Pile to be driven in a permanent location at pier 2.

The test piles shall be driven to 110 percent of the Nominal Required Bearing indicated above.

The penetration of piles shall be sufficient to obtain the specified Nominal Required Bearing and to place the pile tip at or below Elevation 812.0.

BILL OF MATERIAL - 2 PIERS

BAR	NO.	SIZE	LENGTH	SHAPE
p	24	#7	31'-8"	—
s1	74	#5	8'-5"	□
s2	52	#5	12'-7"	□
u1	16	#6	13'-1"	□
Concrete Structures			Cu. Yd.	25.5
Reinforcement Bars			Pound	3200
Metal Shell Piles 14" x 0.250"			Foot	726
Driving Piles			Foot	726
Test Pile 14" Metal Shells			Each	1
Concrete Encasement			Cu. Yd.	19.6

See Sheet 12 of 15 for Pile Details and Concrete Encasement Details.