

FAS ROUTE NO	SEC	COUNTY	TOTAL SHEETS	SHEET NO
-	*	STEPHENSON	16	6
ILLINOIS PROJECT BROS-0177(044)				
* 12-08122-00-BR				
CONTRACT NO. 85590				

SCALE: 1" = 1'-0"

REVISIONS	DATE	REASON

DESIGNED BY	CHECKED BY	DATE
DRAWN BY		
PROJECT NO.		
SUPERVISOR		

wendler
 GROUND-BREAKING SOLUTIONS
 engineers - surveyors - scientists
 www.wendlergs.com ph: 815.284.2261
 Illinois Professional Design Firm No. 104-000848

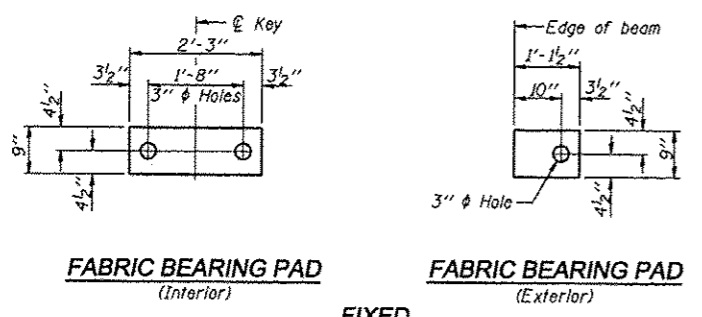
DECK BEAM DETAILS
 OF
 WEST DAMEIER ROAD BRIDGE
 FOR
 STEPHENSON COUNTY

SHEET TITLE
 DETAILS

JOB NUMBER
 2120191

DATE
 4/01/2013

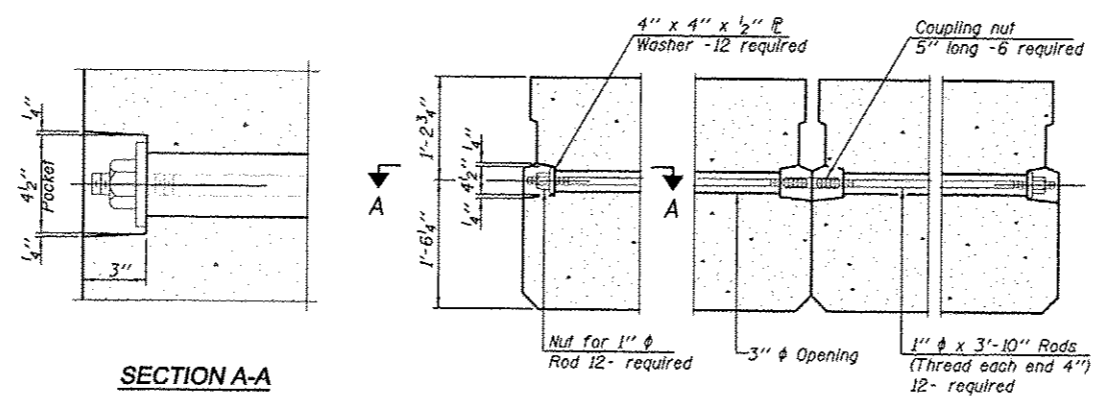
SHEET NO.
 6 of 16



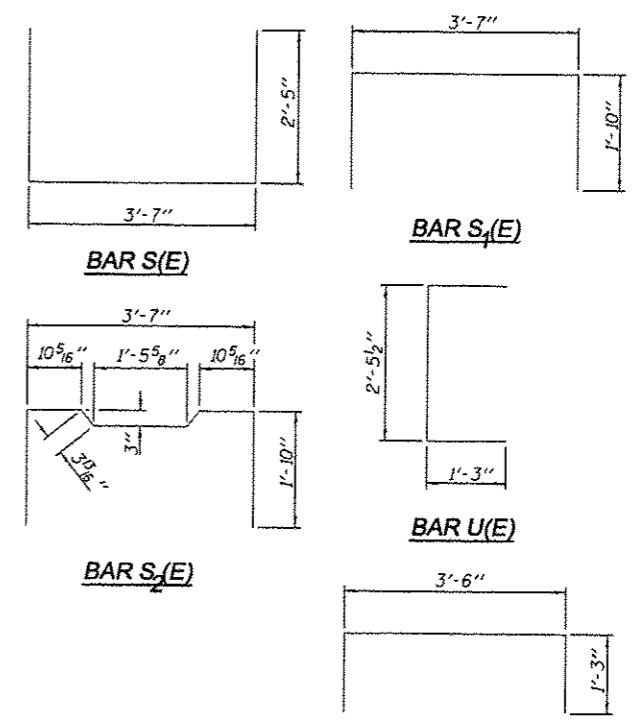
FABRIC BEARING PAD
(Interior) **FABRIC BEARING PAD**
(Exterior)

FIXED

Notes:
 All bearing pads shall be 1" thick.
 Omit holes when using expansion bearings.
 Expansion bearing pad shall be bonded to the substructure.

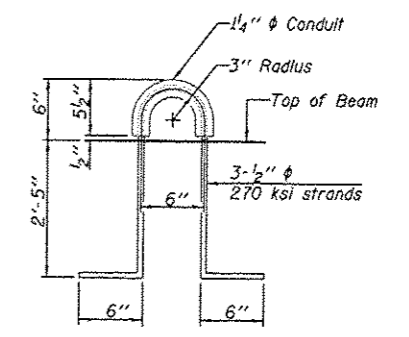


TYPICAL TRANSVERSE TIE ASSEMBLY



BAR S4(E)

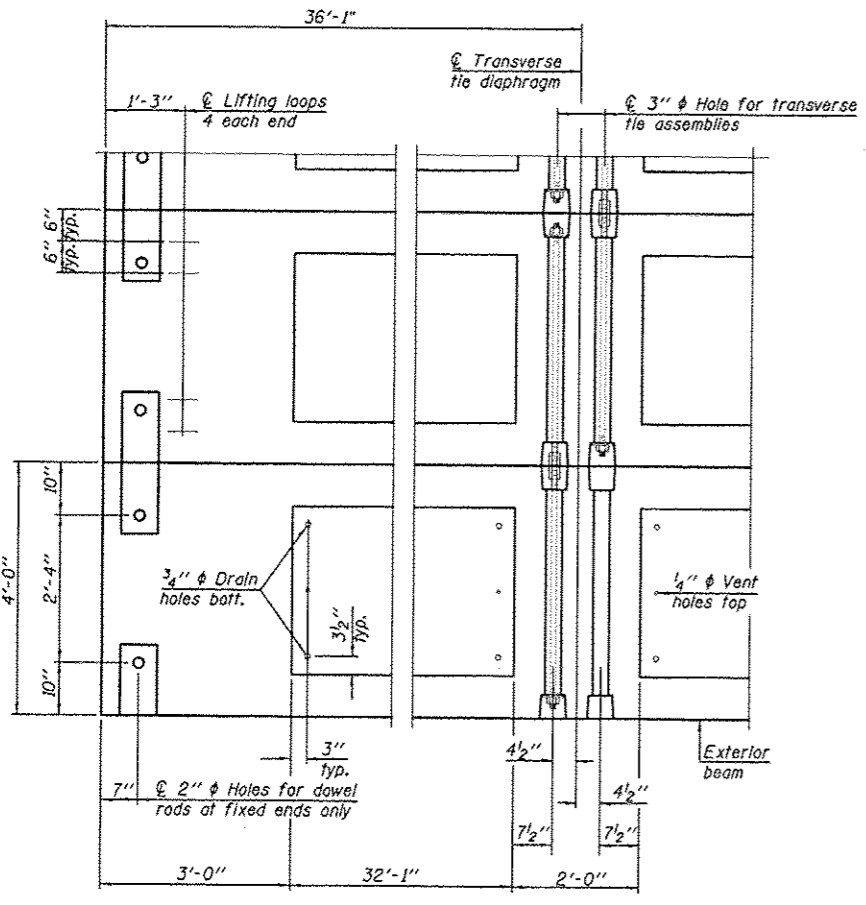
BAR U4(E)



LIFTING LOOP DETAIL

BILL OF MATERIAL

Precast Prestressed Conc. Deck Bms. (33" depth)	Sq. Ft.	2021
---	---------	------



PLAN VIEW

Note: Connect beams in pairs with the transverse tie configuration shown.

NOTES

Prestressing steel shall be uncoated high strength, low relaxation 7-wire strand, Grade 270. The nominal diameter shall be 1/2" and the nominal cross-sectional area shall be 0.153 sq. in.
 The 1" diameter rods in the transverse tie assembly shall be tightened to a snug fit and the threads set. Pockets on exterior faces of bridge shall be filled with grout after transverse tie assembly is in place.
 Reinforcement bars shall conform to ASTM A 706, Grade 60. (See Special Provisions).
 Two 1/8" fabric adjusting shims of the dimensions of the exterior bearing pad shall be provided for each bearing pad location.
 A minimum 2-1/2" diameter lifting pin shall be used to engage the lifting loops during handling.
 Corrosion inhibitor, per Article 1020.05(b)(12) and 1021.06 of the Standard Specifications, shall be used in the concrete for precast prestressed concrete deck beams.
 Compressive strength of prestressed concrete, f'c, shall be 6000 psi.
 Compressive strength of prestressed concrete at release, f'ci, shall be 5000 psi.

PD-3348-OD 7-1-10

S.N. 089-3287
 33" X 48" PPC DECK BEAMS
 CONCRETE OVERLAY DETAILS
 SECTION 12-08122-00-BR
 STEPHENSON COUNTY