

FAS ROUTE NO	SEC	COUNTY	TOTAL SHEETS	SHEET NO
-	*	STEPHENSON	16	8

ILLINOIS PROJECT BROS-0177(044)
 * 12-08122-00-BR
 CONTRACT NO. 85530

SCALE: 1" = 4'

REVISIONS	DATE

DESIGNED BY	
CHECKED BY	
DATE	
PROJECT NO.	
SCALE	

wendler
 CONSULTING SOLUTIONS
 ENGINEERS SURVEYORS & SCIENTISTS
 www.wendlereng.com Ph: 815.288.2261
 1800 Professional Design Firm No. 181-000005

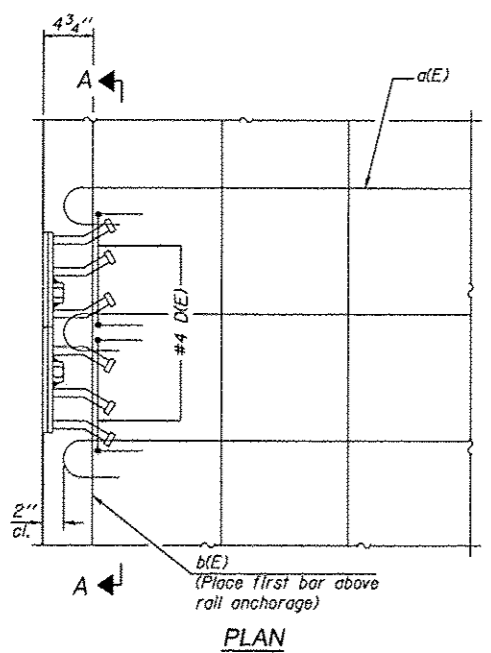
SUPERSTRUCTURE DETAILS
 OF
 WEST DAMEIER ROAD BRIDGE
 FOR
 STEPHENSON COUNTY

SHEET TITLE
DETAILS

JOB NUMBER
 2120191

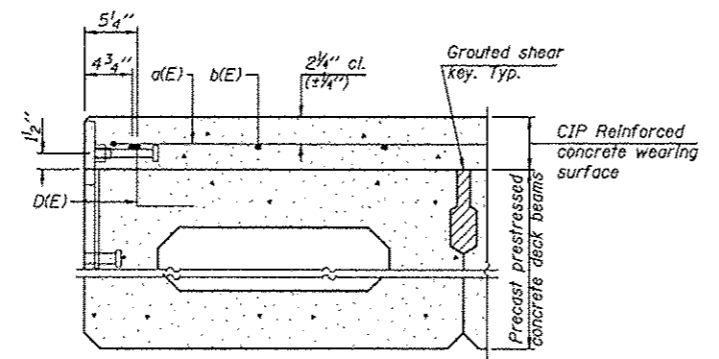
DATE
 4/01/2013

SHEET NO.
8 of 16

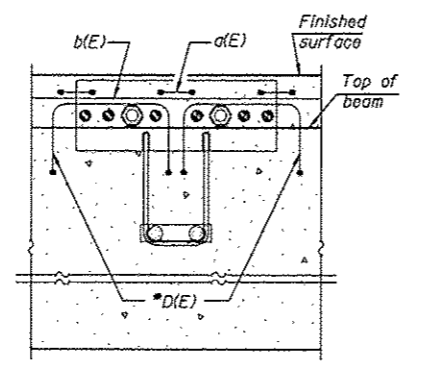


PLAN

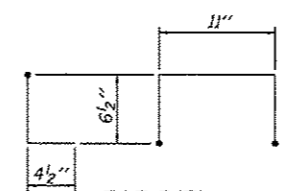
Notes:
 Formwork necessary for the wearing surface may be secured utilizing the bottom rail anchorage inserts and/or additional inserts cast into the beam.



SECTION THRU FASCIA BEAM

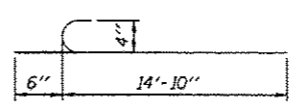


SECTION A-A



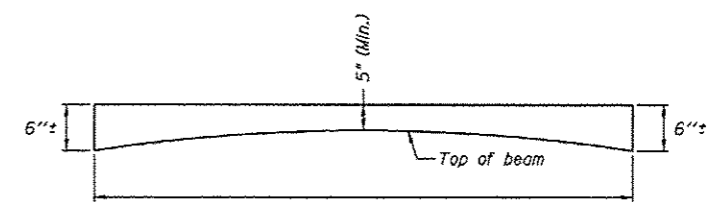
BAR D(E)

Place 2-#4 D(E) bars in beam at each post location as shown. D(E) bar included in cost of beam.



BAR a(E)

MINIMUM BAR LAP
 #4 bar = 2'-0"



ANTICIPATED CONCRETE WEARING SURFACE PROFILE
 (For Information only)

SUPERSTRUCTURE BILL OF MATERIAL

Bar	No.	Size	Length	Shape
a(E)	146	#4	15'-4"	C
b(E)	84	#4	25'-4"	—
Reinforcement Bars, Epoxy Coated			Pound	2920
Concrete Wearing Surface, 5"			Sq. Yd.	224.5

S.N. 089-3287
 33" X 48" PPC DECK BEAMS
 BEAM DETAILS
 SECTION 12-08122-00-BR
 STEPHENSON COUNTY