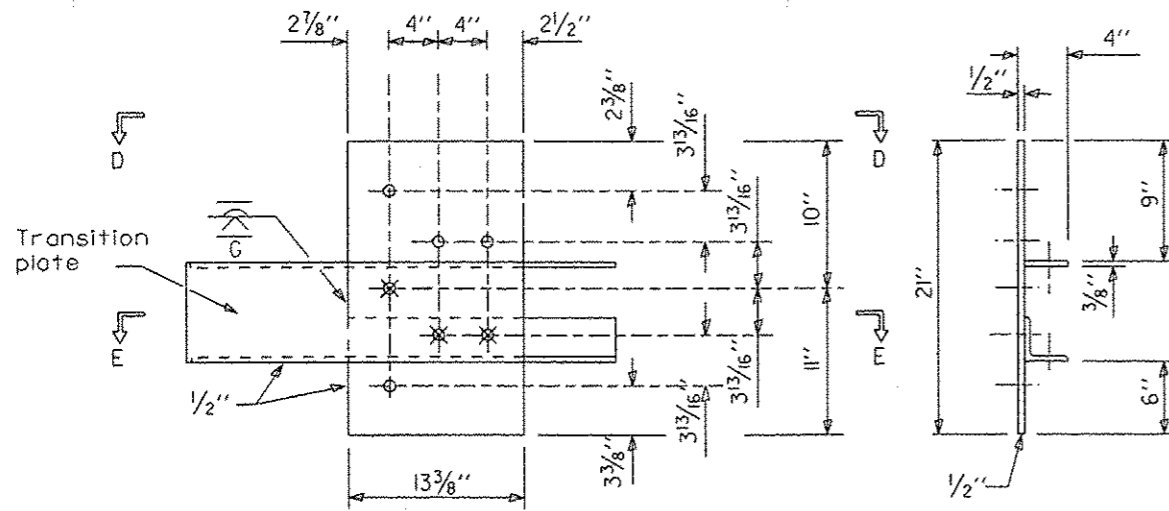


ROUTE NO.	SECTION	COUNTY	SHEETS	PAGE
FAS452	*	FULTON	26	24
FED. ROAD DIST. NO. 7	ALIGNMENT	FED. AID PROJECT		

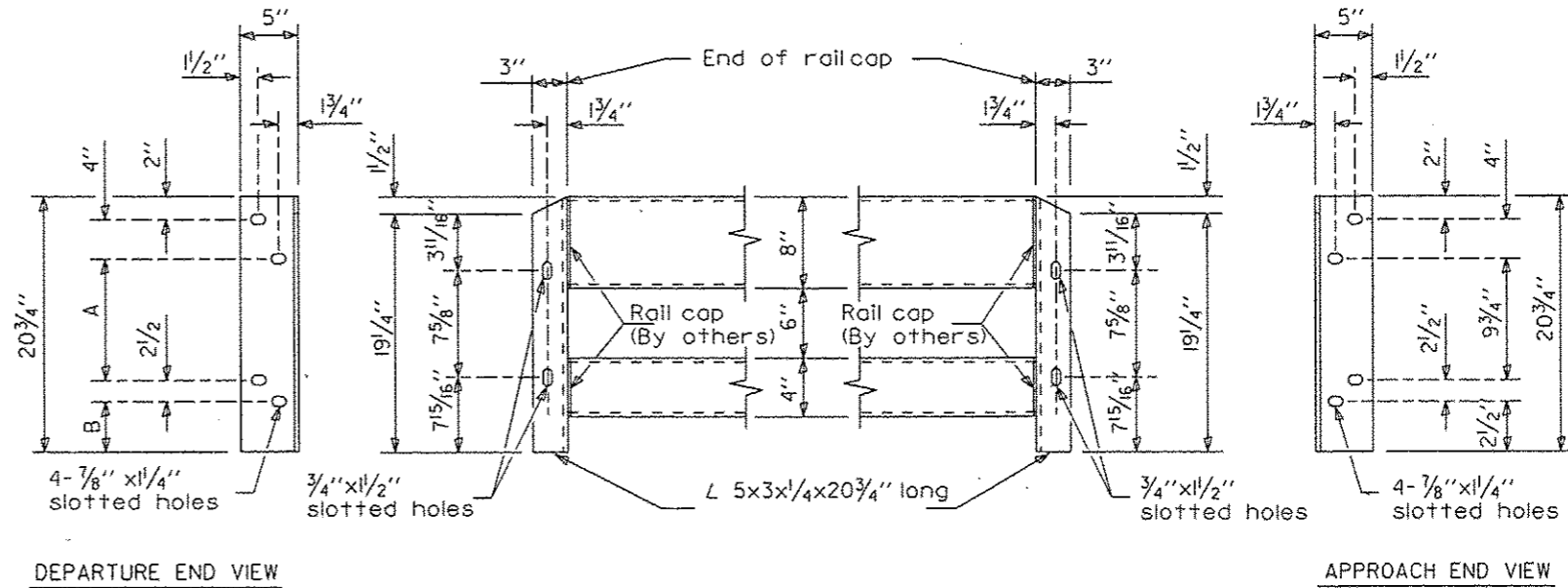
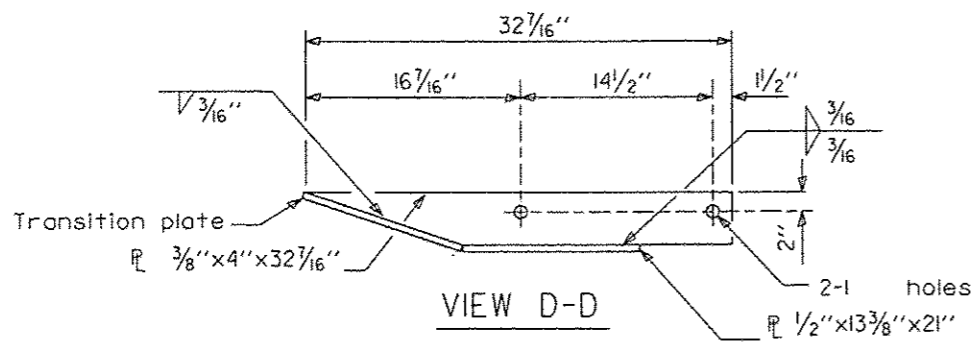
# 08-00130-05-BR



GUARDRAIL CONNECTION PLATE ASSEMBLY DETAILS  
(Mirror for opposite end)

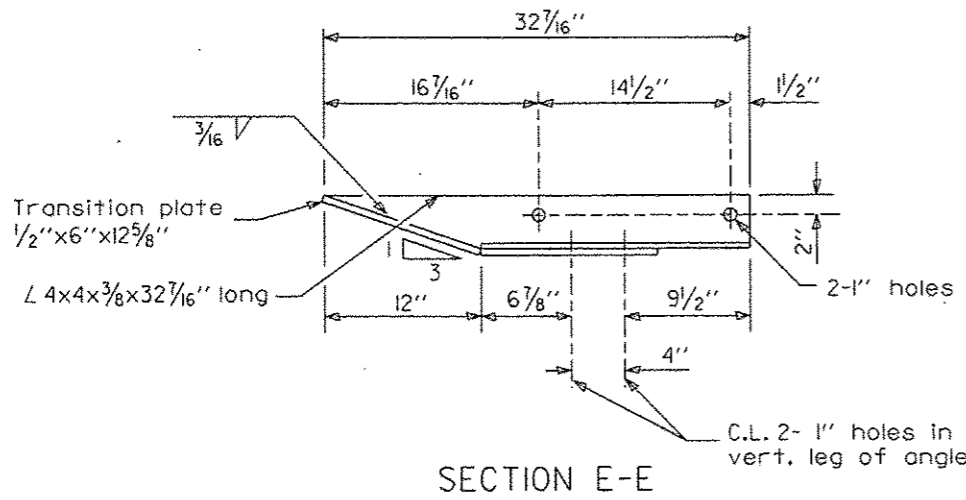
- C.L. 4- 1" holes for 7/8" H.S. bolts and nuts
- ⊗ Drill and tap 3 holes for 7/8" H.S. bolts.

LEGEND



CONNECTION ANGLES

(Install angles to rail caps using 19 washers and self-locking nuts or nuts and jam nuts, to be provided by others)



DSGN	J. Hoffmann				
DR	K.J. Hoffmann				
CHK	J.R. Wolf				
APVD	A. Fraunhofer	NO.	DATE	REVISION	BY



**FRAUENHOFER & ASSOCIATES**  
A division of Engineering Resource Associates, Inc.  
Consulting Engineers, Scientists, & Surveyors

3002 CROSSING COURT  
CHAMPAIGN, IL 61822  
PHONE (217) 351-6268  
FAX (217) 355-1902

TRAFFIC BARRIER TERMINAL TYPE 6A (SPECIAL)  
FAS 452 (CH2) OVER LASWELL BRANCH OF PUT CREEK  
SEC 08-00130-05-BR  
FULTON COUNTY

SHEET	24
DWG NO.	9029-6A.dgn
DATE	DEC 2012
PROJ NO.	9029