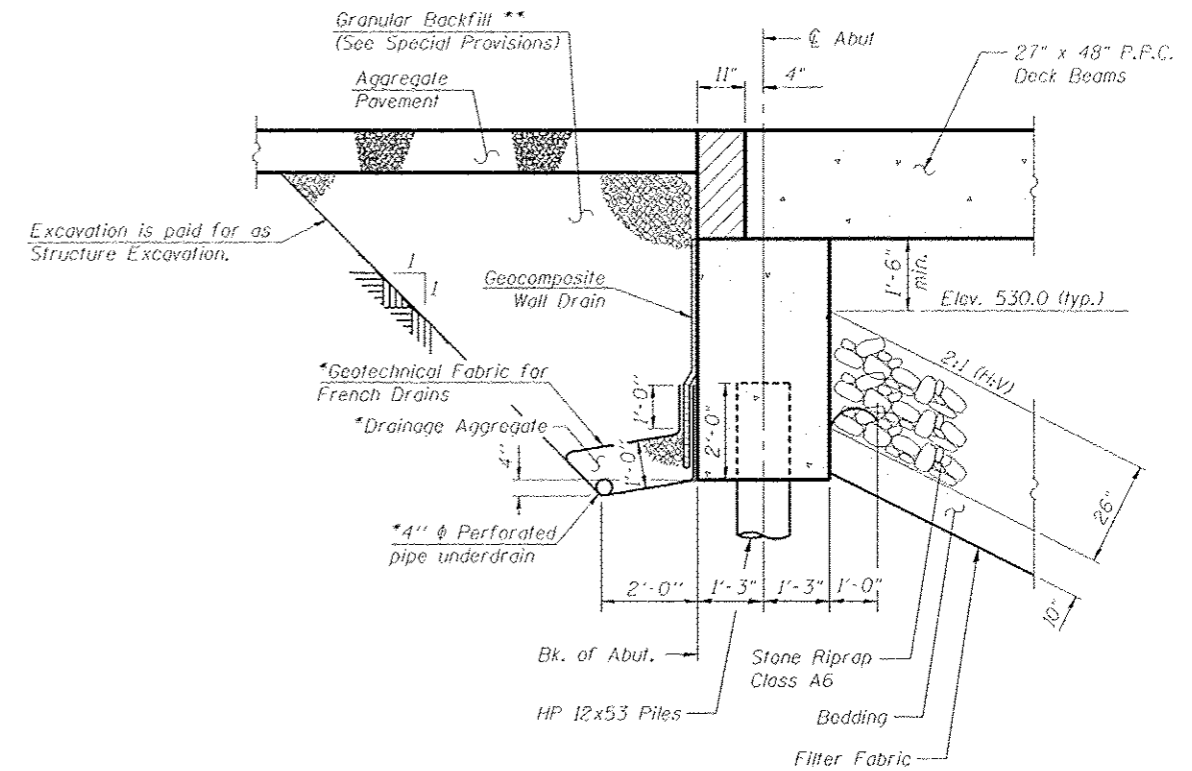
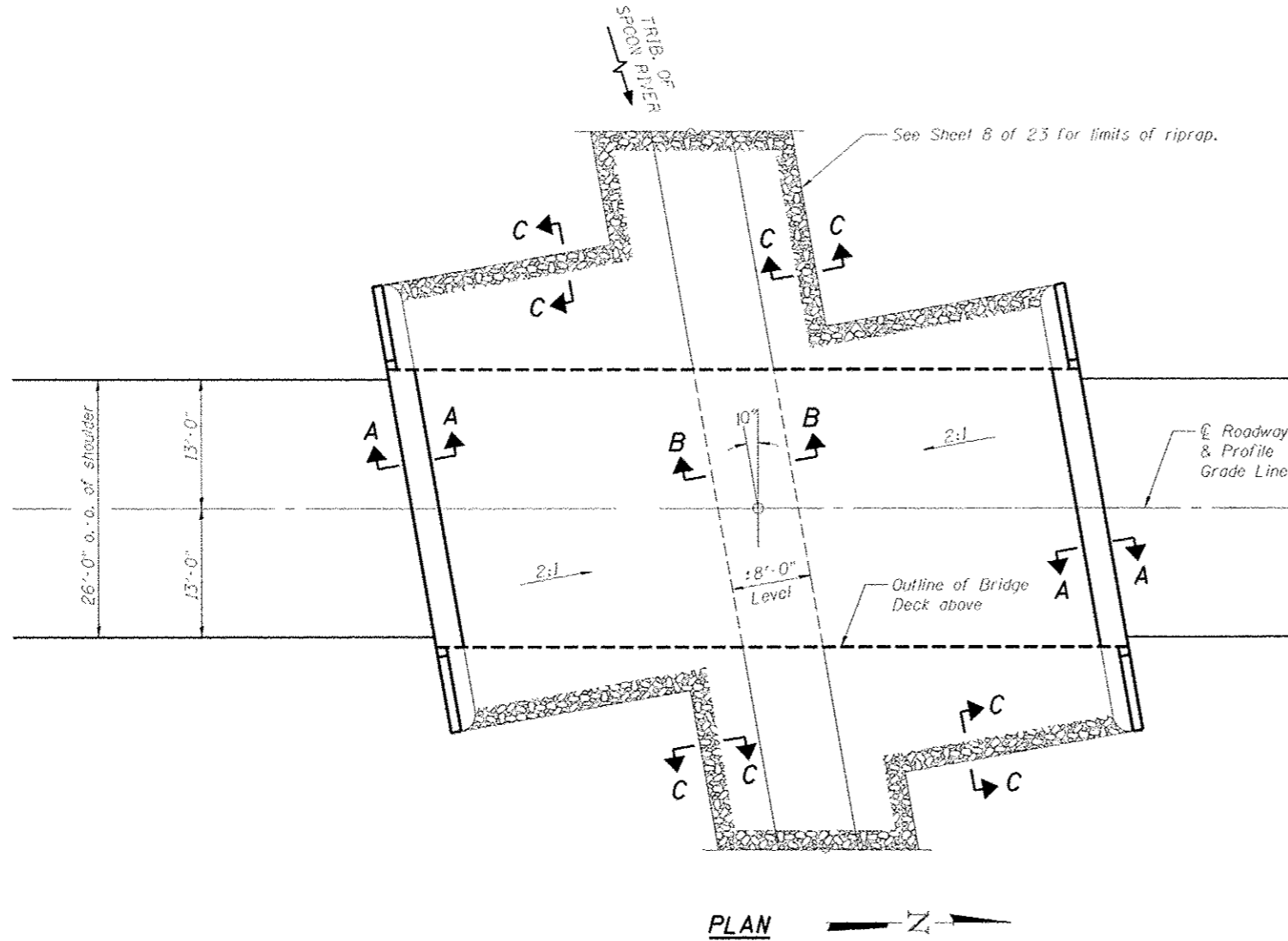


GENERAL NOTES

1. Reinforcement bars designated (E) shall be epoxy coated.
2. Layout of slope protection system may be varied in the field to suit ground conditions as directed by the Engineer.
3. Protective coat shall be applied to the top of the deck and to the top and exposed face of the wingwalls.



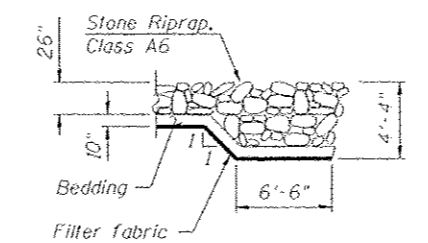
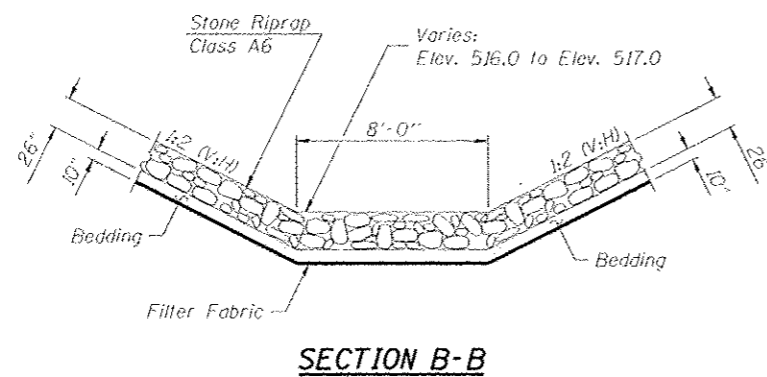
**SECTION A-A
SECTION THRU ABUTMENT**

Dimensions of right angles to abutment

* Included in the cost of Pipe Underdrains for Structures. (See Special Provisions)

** Granular Backfill shall be compacted to the Engineer's satisfaction.

Note:
All drainage system components shall extend to 2'-0" from the end of each wingwall except outlet pipes shall extend as shown on sheet 1 of 9. The pipes shall drain into concrete headwalls. (See Article 601.05 of the Standard Specifications and Highway Standard 601101).



**GENERAL NOTES AND RIP RAP DETAILS
STRUCTURE NUMBER 029-3240**

PROFESSIONAL DESIGN FIRM LICENSE #184-001084

© Copyright Hanson Professional Services Inc. 2013



JOB NO. 10L0137

DATE 3/22/13

SHEET NO. 2

9 SHEETS

CH	SECTION	COUNTY	TOTAL SHEETS	SHEET NO.
26	11-00143-00-BR	Fulton	23	11
CONTRACT NO. 89597				
FED. ROAD DIST. NO. 2 ILLINOIS FED. AID PROJECT				

03/27/2013
 03/27/2013
 03/27/2013
 03/27/2013

DATE	BY	CHKD
3/22/13	SW	SW
3/22/13	SW	SW