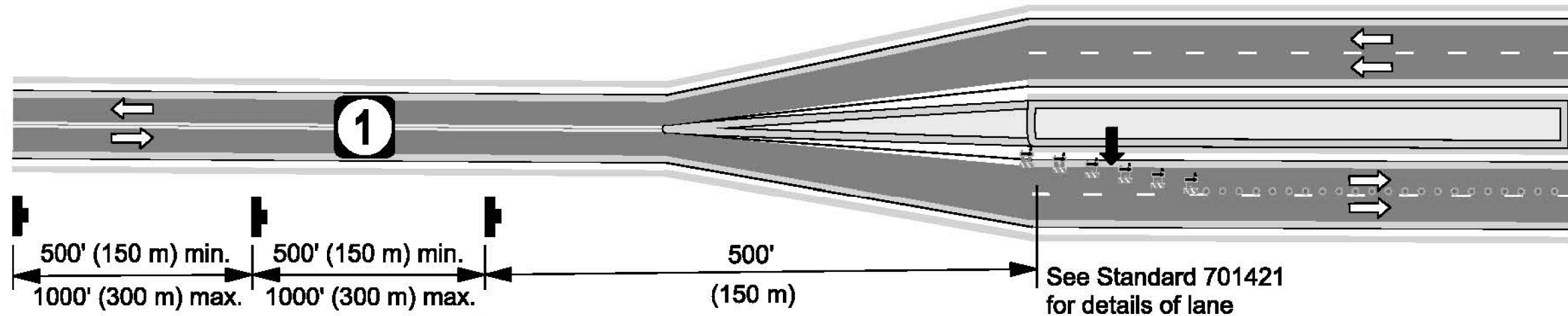


WORK ZONE W2-1115(O)-3818
 SPEED LIMIT 45 R2-1-3848
 BEGINS W2-1113(O)-3812
 BOOK MINIMUM FINE R2-1106-3618



WORK ZONE W2-1115(O)-3818
 SPEED LIMIT 45 R2-1-3848
 BEGINS W2-1113(O)-3812
 BOOK MINIMUM FINE R2-1106-3618



NOTES:

APPLIES TO NORTHBOUND AND SOUTHBOUND CONDITIONS.

TRAFFIC CONTROL DETAIL TO BE USED IN TRANSITION AREAS FROM TWO LANES TO FOUR LANES AND VICE VERSA. COST SHALL BE INCLUDED IN "TRAFFIC CONTROL AND PROTECTION, STANDARD 701421".

| | | | |
|--|----------------------|------------|-----------|
| FILE NAME = | USER NAME = steffenk | DESIGNED - | REVISED - |
| ct:\pw\work\p\dot\stefenk\d0263618\0784977-sh1-details.dgn | | DRAWN - | REVISED - |
| PLOT SCALE = 100.0000' / in. | | CHECKED - | REVISED - |
| PLOT DATE = 10/15/2012 | | DATE - | REVISED - |

STATE OF ILLINOIS
 DEPARTMENT OF TRANSPORTATION

TRAFFIC CONTROL DETAIL

SCALE: NA SHEET NO. 1 OF 1 SHEETS STA. TO STA.

| F.A.P. RTE. | SECTION | COUNTY | TOTAL SHEETS | SHEET NO. |
|---------------------------|----------------|----------|--------------|-----------|
| 332 | (16.17,18)RS-2 | LAWRENCE | 40 | 36 |
| CONTRACT NO. 94977 | | | | |
| ILLINOIS FED. AID PROJECT | | | | |