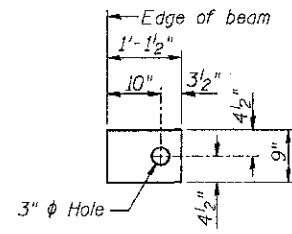


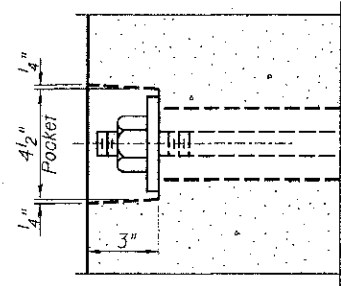
FABRIC BEARING PAD
(Interior)



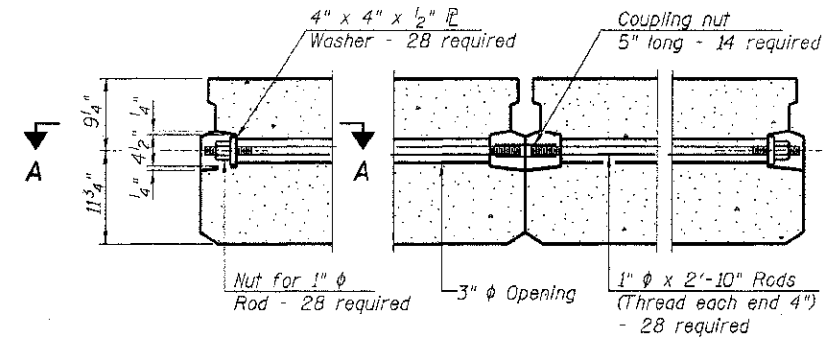
FABRIC BEARING PAD
(Exterior)

FIXED

Notes:
All bearing pads shall be 1" thick.

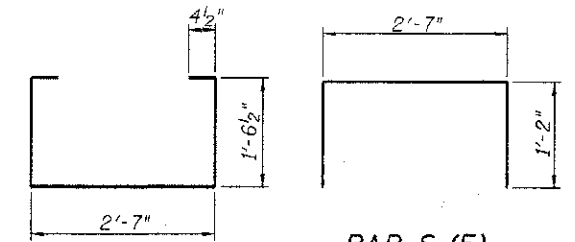


SECTION A-A



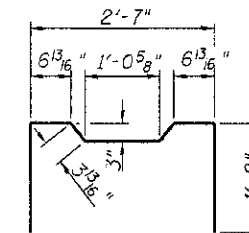
TYPICAL TRANSVERSE TIE ASSEMBLY

Number required for hardware items
Includes both Spans 1 and 3.



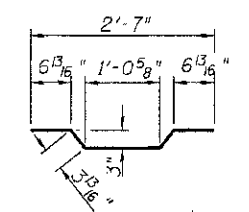
BAR S1(E)

BAR S1(E)



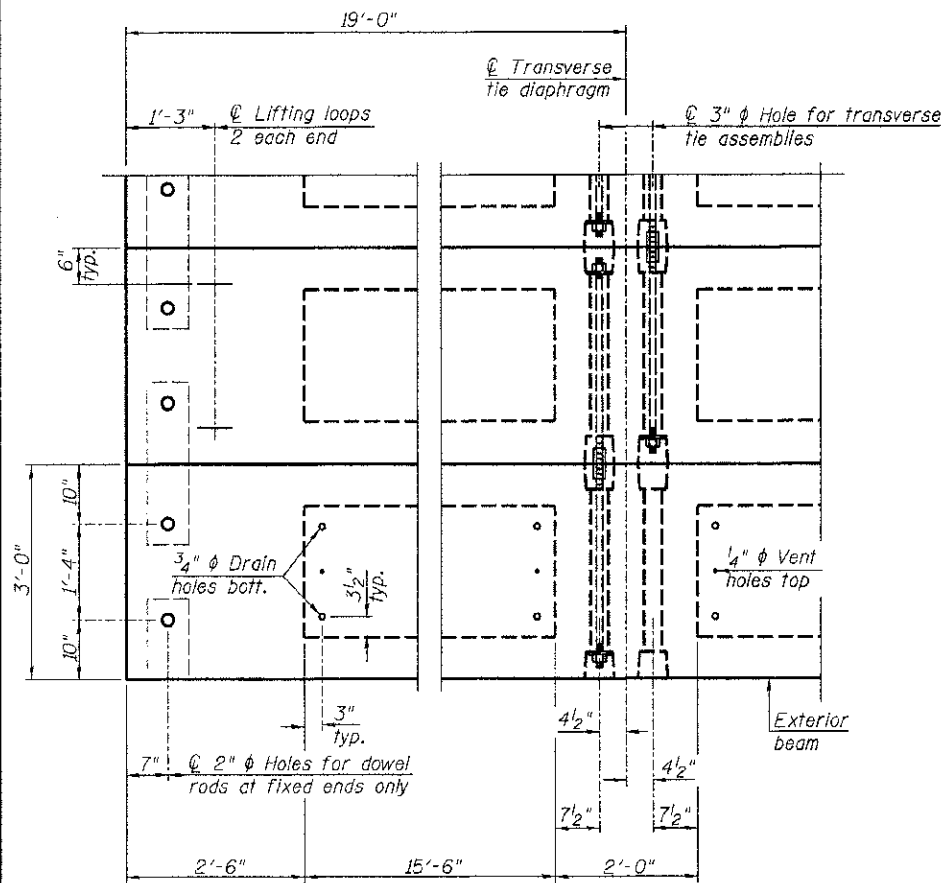
BAR S2(E)

BAR U1(E)

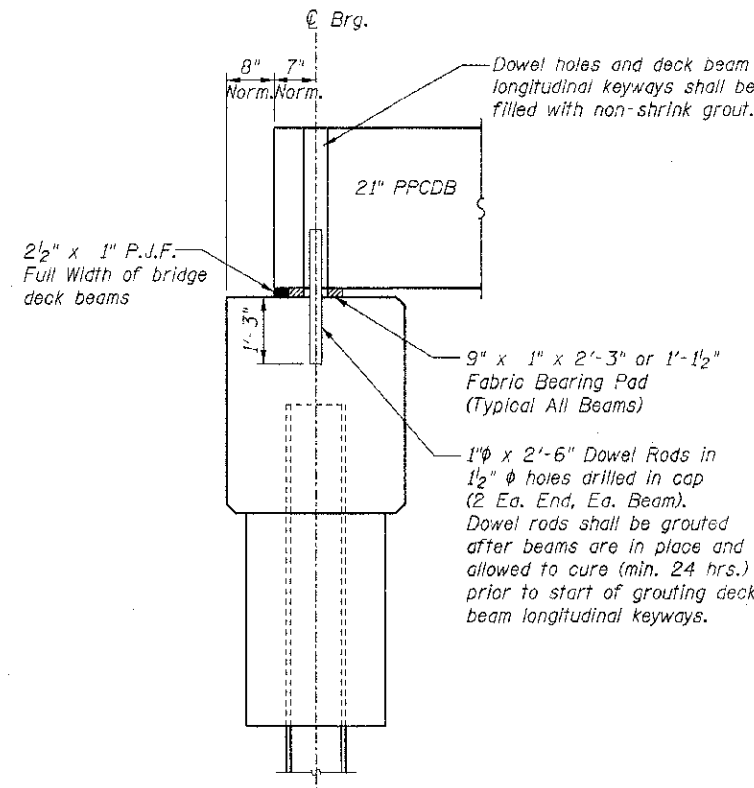


BAR A1(E)

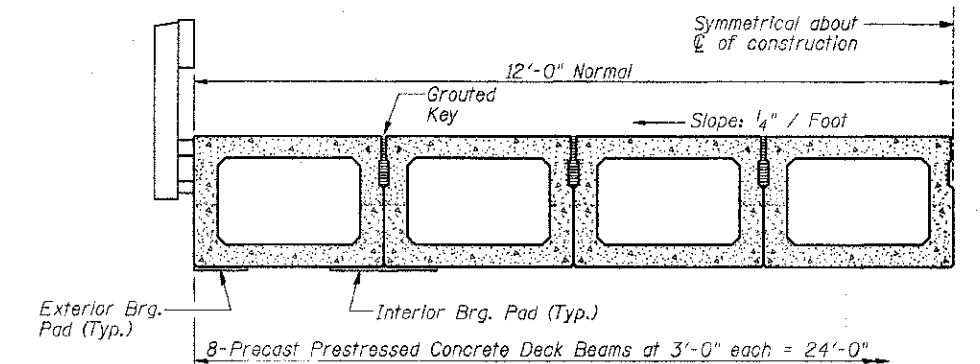
BAR U1(E)



PLAN VIEW



FIXED BEARING ABUTMENT



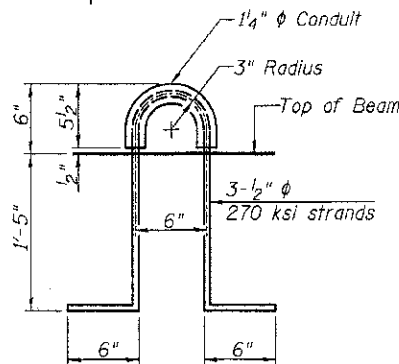
HALF CROSS SECTION

See Sheet 9 for the details showing the spacing and mounting of posts and rails to the PPCDB.

BILL OF MATERIAL

Precast Prestressed Conc. Deck Bms. (21" depth)	Sq. Ft.	2904*
---	---------	-------

*Total for 3 spans



LIFTING LOOP DETAIL

Note: Connect beams in pairs with the transverse tie configuration shown.

NOTES

- Prestressing steel shall be uncoated high strength, low relaxation 7-wire strand, Grade 270. The nominal diameter shall be 1/2" and the nominal cross-sectional area shall be 0.153 sq. in.
- The 1" diameter rods in the transverse tie assembly shall be tightened to a snug fit and the threads set. Pockets on exterior faces of bridge shall be filled with grout after transverse tie assembly is in place.
- Reinforcement bars shall conform to ASTM A 706, Grade 60.
- Two 1/8" fabric adjusting shims of the dimensions of the exterior bearing pad shall be provided for each bearing pad location.
- A minimum 2 1/2" diameter lifting pin shall be used to engage the lifting loops during handling.
- Corrosion Inhibitor, per Article 1020.05(b)(12) and 1021.06 of the Standard Specifications, shall be used in the concrete for precast prestressed concrete deck beams.
- Compressive strength of prestressed concrete, f'c, shall be 6000 psi.
- Compressive strength of prestressed concrete at release, f'ci, shall be 5000 psi.

SPAN 1 AND 3