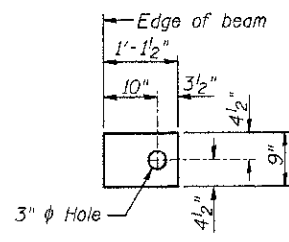


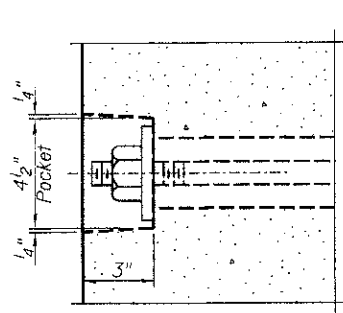
FABRIC BEARING PAD
(Interior)



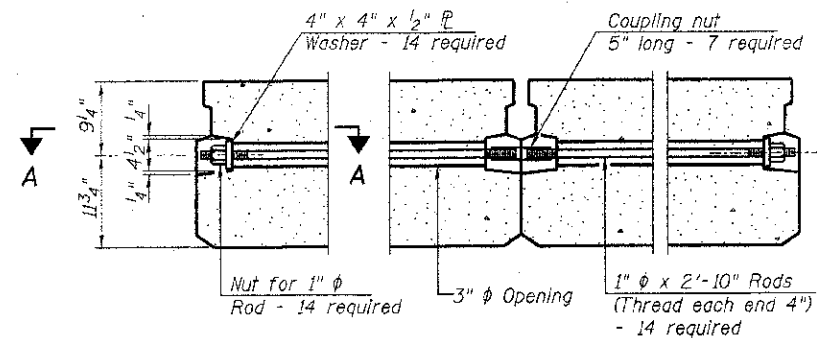
FABRIC BEARING PAD
(Exterior)

FIXED

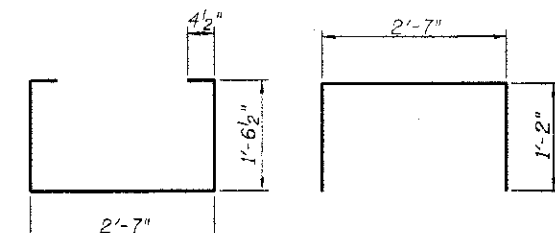
Notes:
All bearing pads shall be 1" thick.



SECTION A-A

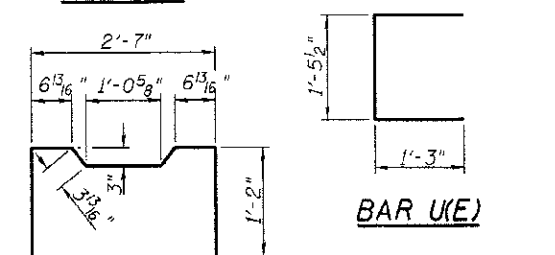


TYPICAL TRANSVERSE TIE ASSEMBLY



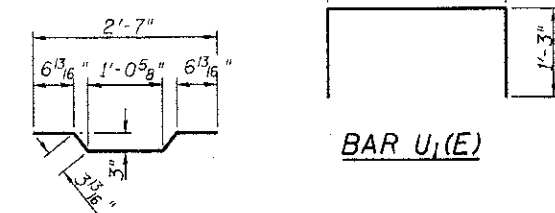
BAR S(E)

BAR S1(E)



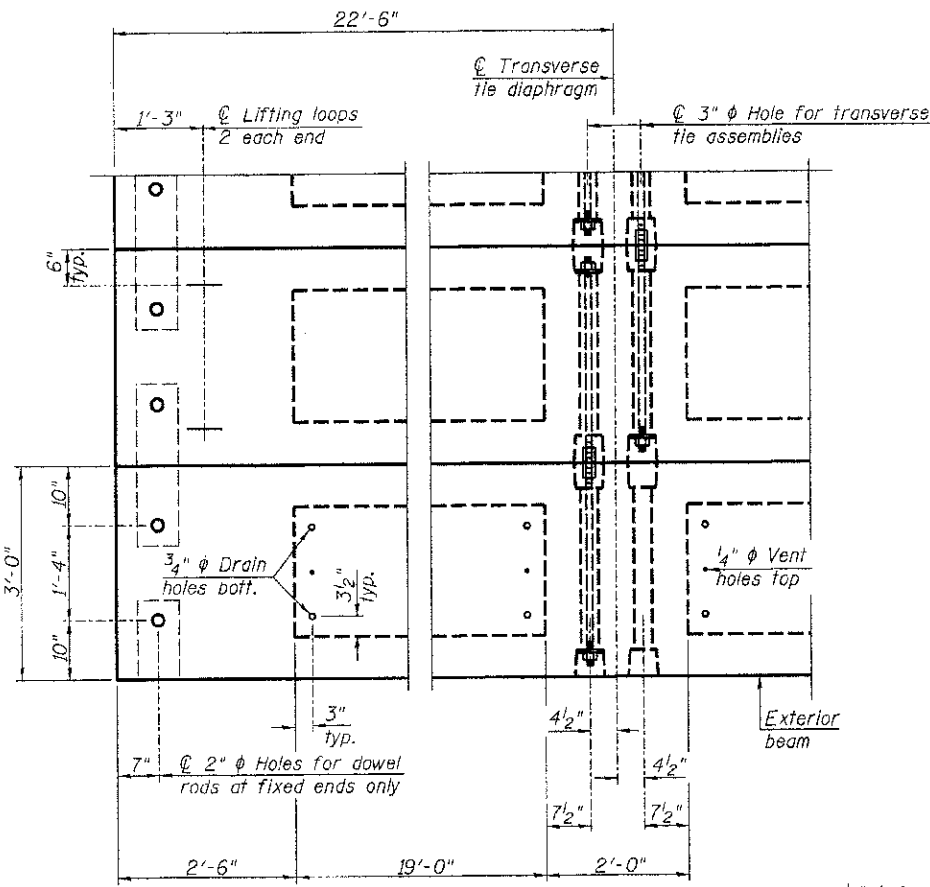
BAR U(E)

BAR S2(E)



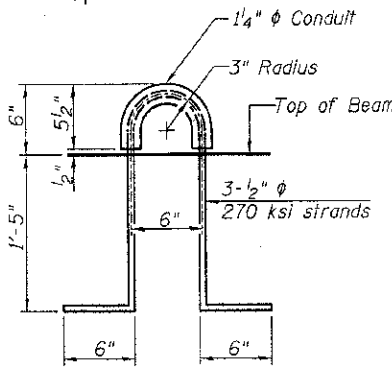
BAR U1(E)

BAR A1(E)

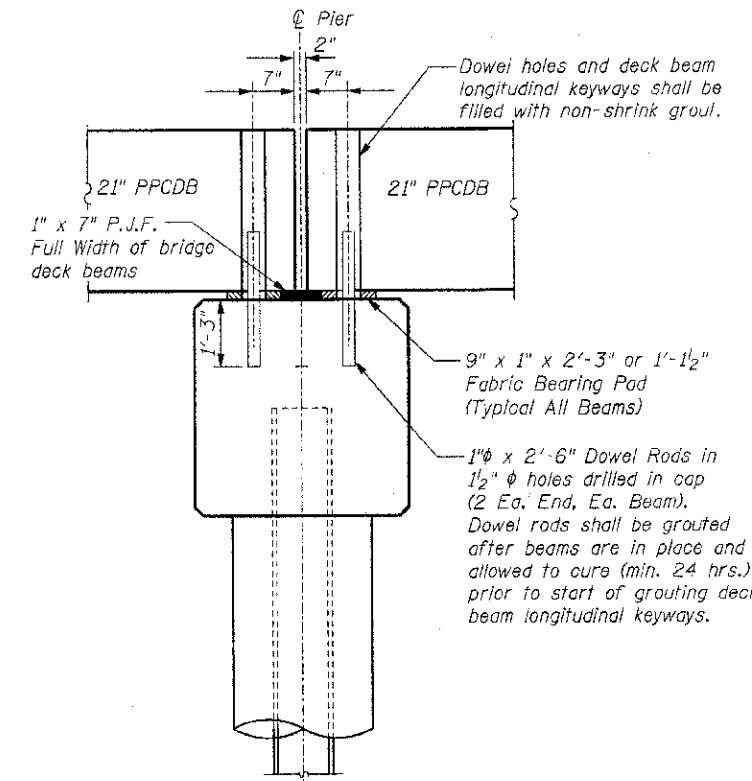


PLAN VIEW

Note: Connect beams in pairs with the transverse tie configuration shown.



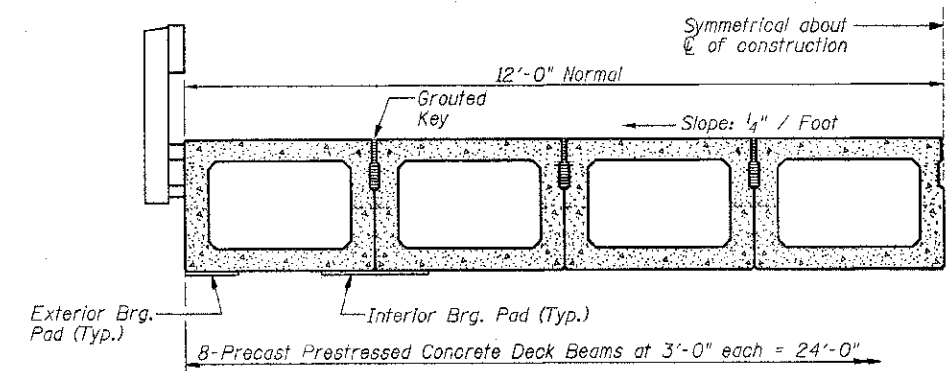
LIFTING LOOP DETAIL



FIXED BEARING PIER

NOTES

Prestressing steel shall be uncoated high strength, low relaxation 7-wire strand, Grade 270. The nominal diameter shall be 1/2" and the nominal cross-sectional area shall be 0.153 sq. in. The 1" ϕ rods in the transverse tie assembly shall be tightened to a snug fit and the threads set. Pockets on exterior faces of bridge shall be filled with grout after transverse tie assembly is in place. Reinforcement bars shall conform to ASTM A 706, Grade 60. Two 1/8" fabric adjusting shims of the dimensions of the exterior bearing pad shall be provided for each bearing pad location. A minimum 2 1/2" ϕ lifting pin shall be used to engage the lifting loops during handling. Corrosion Inhibitor, per Article 1020.05(b)(12) and 1021.06 of the Standard Specifications, shall be used in the concrete for precast prestressed concrete deck beams. Compressive strength of prestressed concrete, f'c, shall be 6000 psi. Compressive strength of prestressed concrete at release, f'cl, shall be 5000 psi.



HALF CROSS SECTION

See Sheet 9 for the details showing the spacing and mounting of posts and rails to the PPCDB.

SPAN 2

RHUTASEL and ASSOCIATES, INC.
CONSULTING ENGINEERS • LAND SURVEYORS
CENTRALIA, ILLINOIS FREEBURG, ILLINOIS
ILLINOIS DESIGN FIRM LICENSE NO. 184-000287

DESIGNED -	BLT	REVISED -	
CHECKED -	WDL	REVISED -	
DRAWN -	JN	REVISED -	
DATE -	02/20/2013	REVISED -	

STATE OF ILLINOIS
DEPARTMENT OF TRANSPORTATION

21" x 36" PPC DECK BEAM DETAILS
STRUCTURE NO. 013-3239

ROUTE	SECTION	COUNTY	TOTAL SHEETS	SHEET NO.
TR 212A	99-04125-00-BR	CLAY	15	8
CONTRACT NO. 95704				
RAAI JOB NO. 51611 ILLINOIS FED. AID PROJECT				