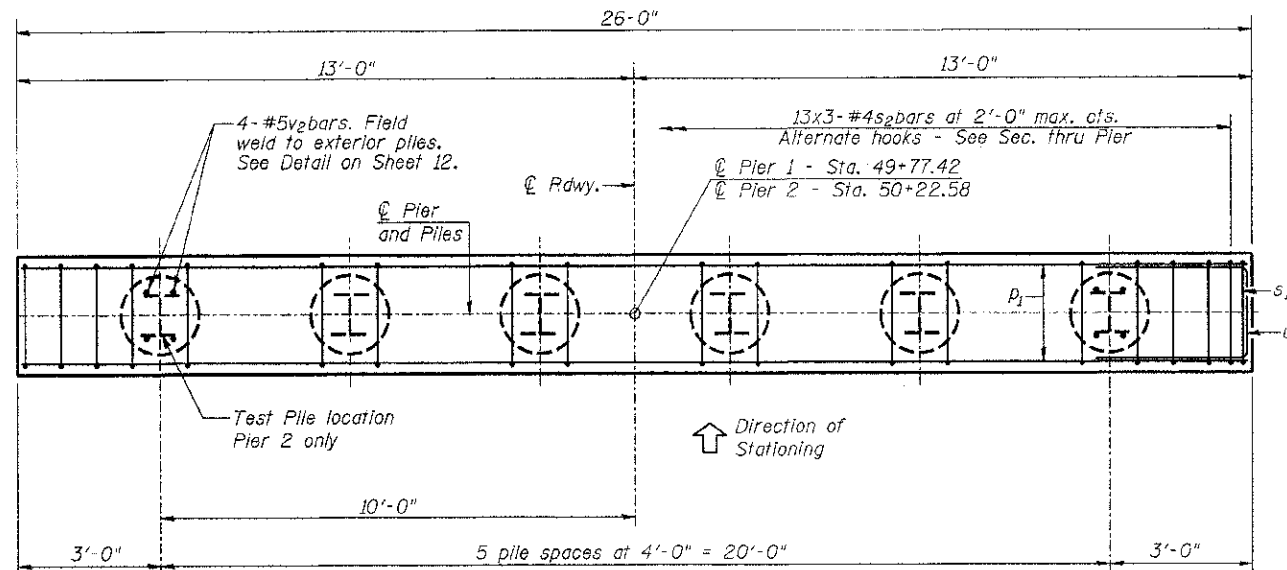


ELEVATION



PLAN

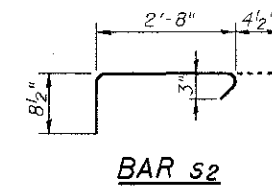
**PILE DATA
PIER 1**

Type: Steel HP14x73
 Nominal Required Bearing: 500 kips
 Factored Resistance Available: 275 kips
 Est. Length: 33 foot/pile
 No. Production Piles: 6
 No. Test Piles: 0

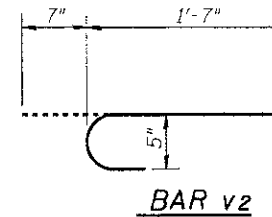
**PILE DATA
PIER 2**

Type: Steel HP14x73
 Nominal Required Bearing: 500 kips
 Factored Resistance Available: 275 kips
 Est. Length: 35 foot/pile
 No. Production Piles: 5
 No. Test Piles: 1

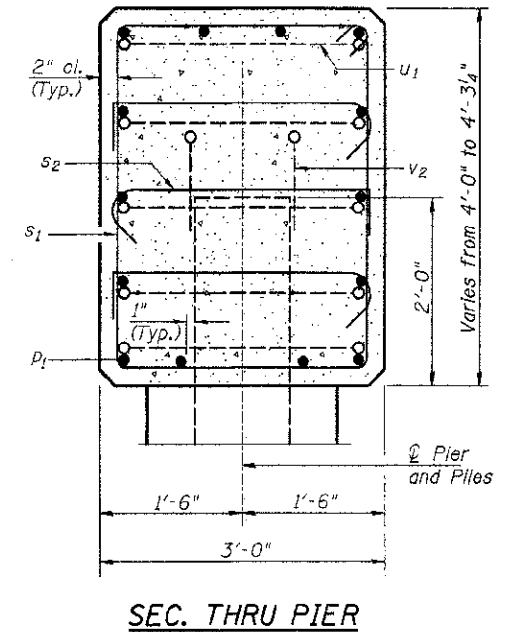
The Contractor shall provide temporary support for the piles after driving until the caps and superstructure are set. The weak soils as shown on the borings provide minimal resistance for lateral loads to the piles. This work shall be included in the unit price per foot for Driving Piles and no additional compensation will be allowed.



BAR s2



BAR v2



SEC. THRU PIER

GENERAL NOTES

All exposed edges shall have standard 3/4" chamfer, unless otherwise noted.

Reinforcement bars shall conform to the requirements of ASTM A 706 Grade 60 (IL Modified).

All clearances between rebar and form surface shall be 2", unless otherwise noted.

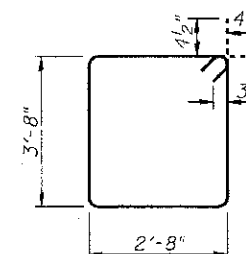
Space reinforcement in cap to miss PPCDB dowel rods.

The Steel H-piles shall be according to AASHTO M270 Grade 50.

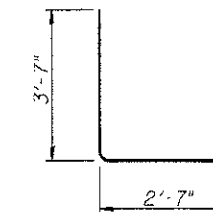
The Contractor shall drive one (1) Steel HP14x73 Test Pile in a permanent location at Pier 2 as directed by the Engineer before ordering the remainder of the piles.

The Test Pile shall be driven to 110 percent of the Nominal Required Bearing indicated in the pile data information.

The position of the 90° & 135° hooked ends of the s2 bar shall be alternated between adjacent bars as shown, both vertically and horizontally.



BAR s1



BAR u1

**BILL OF MATERIAL
FOR ONE PIER**

Bar	No.	Size	Length	Shape
p1	14	#7	25'-8"	—
s1	28	#4	13'-5"	□
s2	39	#4	3'-9"	┌
u1	10	#6	9'-9"	—
v2	8	#5	2'-2"	┌
Concrete Structures	Cu Yd		12.0	
Reinforcement Bars	Pound		1250	
Furnishing Steel	Foot	Pier 1	198	
Piles, HP14x73	Foot	Pier 2	175	
Driving Piles	Foot	Pier 1	198	
		Pier 2	175	
Test Pile, Steel HP14x73	Each	Pier 1	0	
		Pier 2	1	
Concrete Encasement	Cu Yd	Pier 1	11.2	
		Pier 2	11.2	

For details of piles and Concrete Encasement, see Sheet 12.