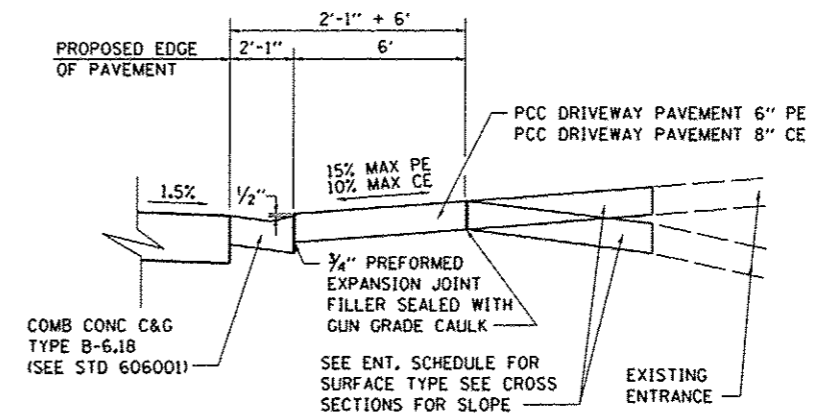
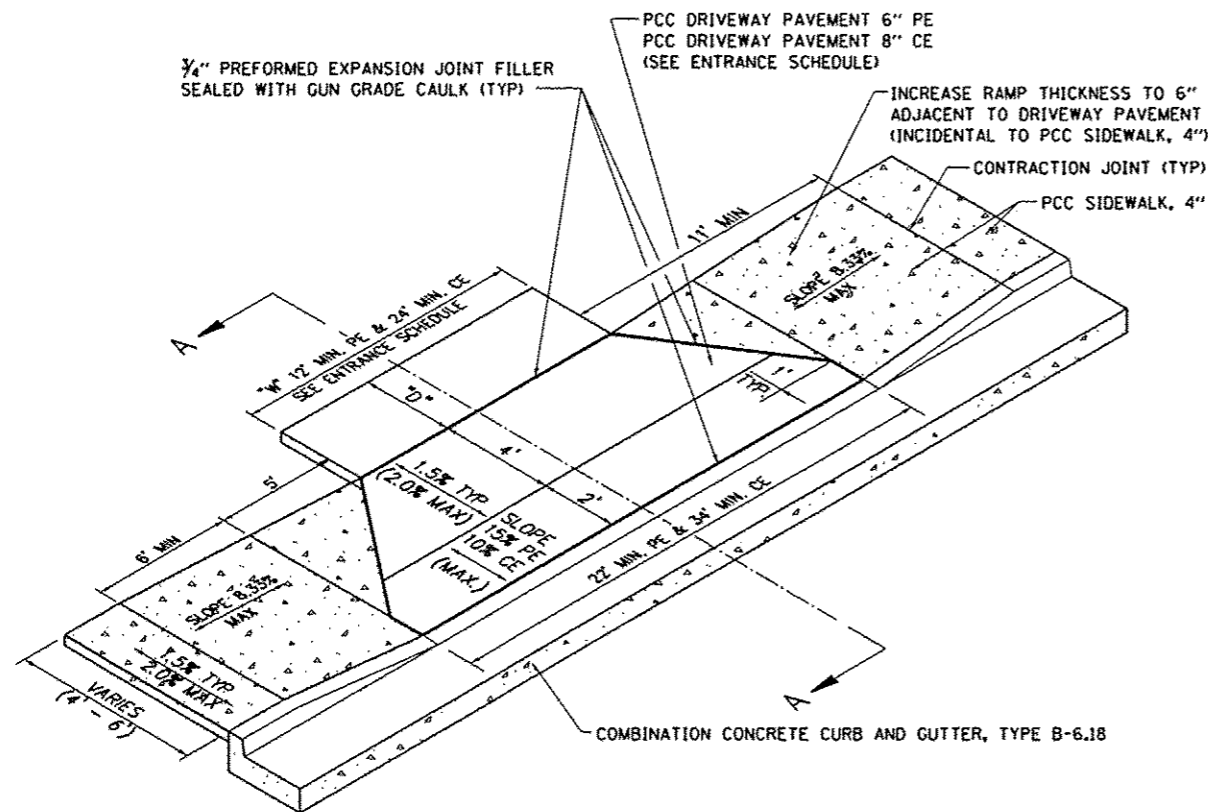


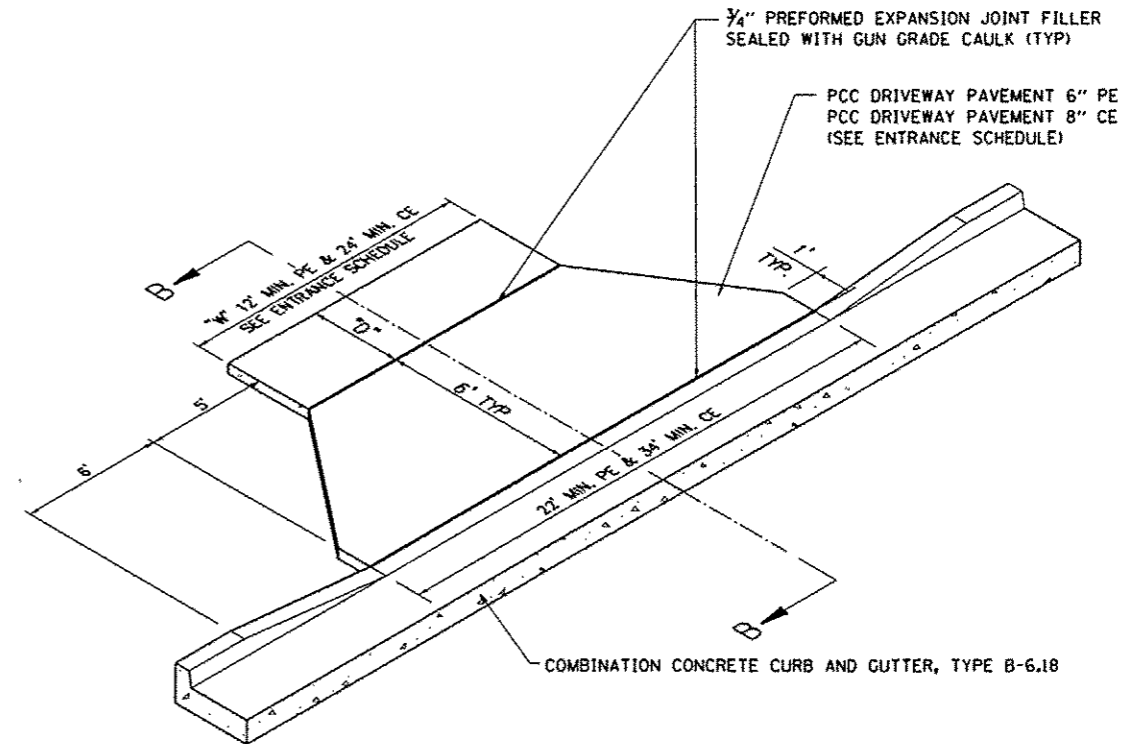
ENTRANCE SECTION A-A
(NOT TO SCALE)



ENTRANCE SECTION B-B
(NOT TO SCALE)



ENTRANCE DETAIL
(SIDEWALK ADJACENT TO BACK OF CURB)



ENTRANCE DETAIL
(WITHOUT SIDEWALK & STA. 11+3.80 RT)

FILE NAME * 0828012-shd-details.dgn	USER NAME * default PLOT TIME * 9:28:35 AM PLOT SCALE * 20.0000' / IN. PLOT DATE * 3/19/2013	DESIGNED - DRAWN - CHECKED - DATE -	REVISED - REVISED - REVISED - REVISED -	STATE OF ILLINOIS DEPARTMENT OF TRANSPORTATION	CONSTRUCTION DETAILS	F.A.U. RTE. 9308	SECTION 08-00046-00-PV	COUNTY MONROE	TOTAL SHEETS 37	SHEET NO. 25
						SCALE: N.T.S.	SHEET 1 OF 7 SHEETS STA. TO STA.		CONTRACT NO. 9751B ILLINOIS FED. AID PROJECT	