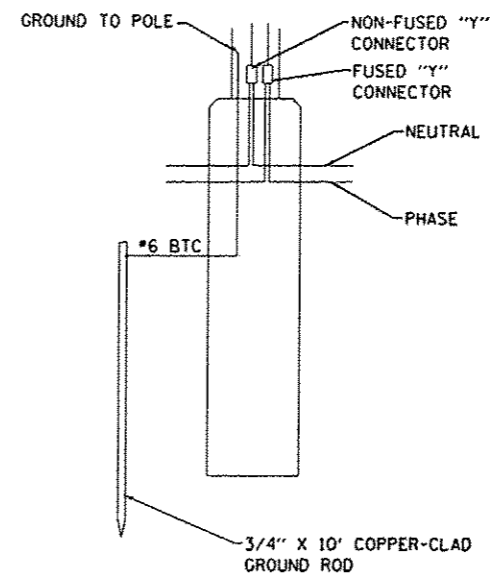


NOTES:

1. ALL CONCRETE ABOVE GRADE SHALL BE HAND RUBBED TO A SMOOTH FINISH.

FOUNDATION DETAIL



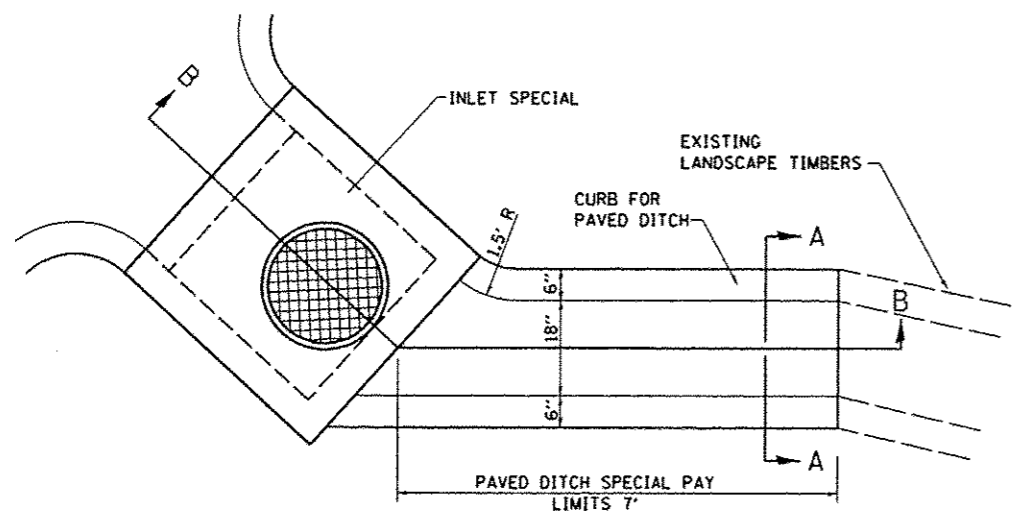
NOTES:

1. FUSED "Y" CONNECTOR TO BE FUSED AT 10 AMPS AND RATED FOR 600 VOLTS.
2. GROUND POLE AND NEUTRAL TO GROUND ROD USING CONDUCTOR INDICATED.
3. VOLTAGE IS 480 VOLTS PHASE-TO-NEUTRAL, 830 VOLTS PHASE-TO-PHASE

WIRING DETAIL

LIGHT POLE FOUNDATION DETAILS

(NOT TO SCALE)



PLAN VIEW

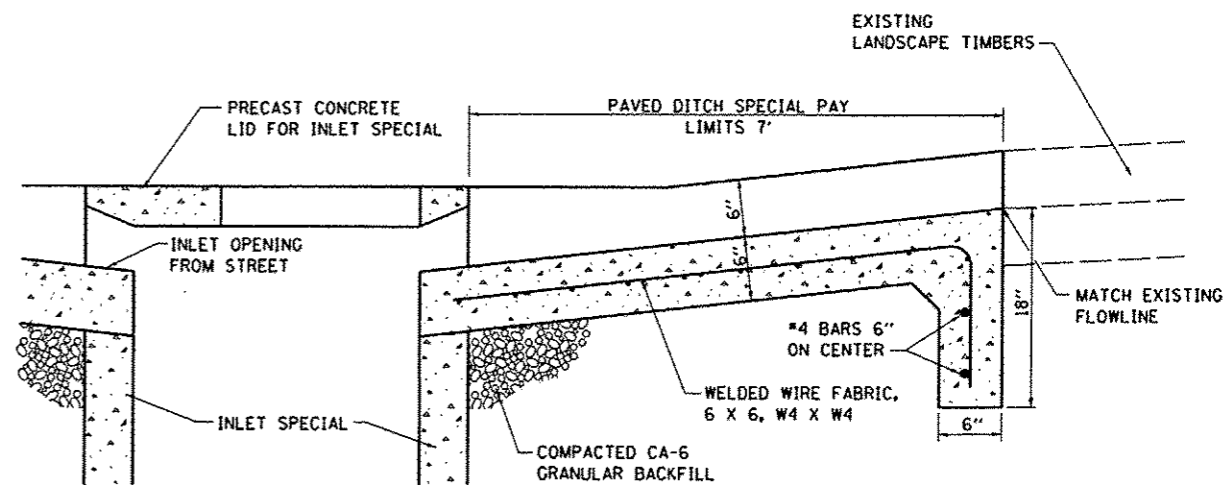
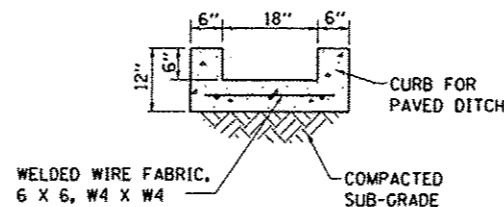
(NOT TO SCALE)

PAVED DITCH SPECIAL SECTION A-A

(NOT TO SCALE)

PAVED DITCH SPECIAL

STA. 17+36.00 RT



PAVED DITCH SPECIAL SECTION B-B

(NOT TO SCALE)

FILE NAME * D828012-sht-details.dgn	USER NAME * default	DESIGNED -	REVISED -	STATE OF ILLINOIS DEPARTMENT OF TRANSPORTATION	CONSTRUCTION DETAILS	F.A.U. RTE. 9308	SECTION 08-00046-00-PV	COUNTY MONROE	TOTAL SHEETS 37	SHEET NO. 29		
	PLOT TIME * 9/29/18 AM	DRAWN -	REVISED -			SCALE: N.T.S.	SHEET 5 OF 7 SHEETS	STA. TO STA.	CONTRACT NO. 97518			
	PLOT SCALE * 20,0000' / IN.	CHECKED -	REVISED -			ILLINOIS FED. AID PROJECT						
	PLOT DATE * 3/19/2013	DATE -	REVISED -									