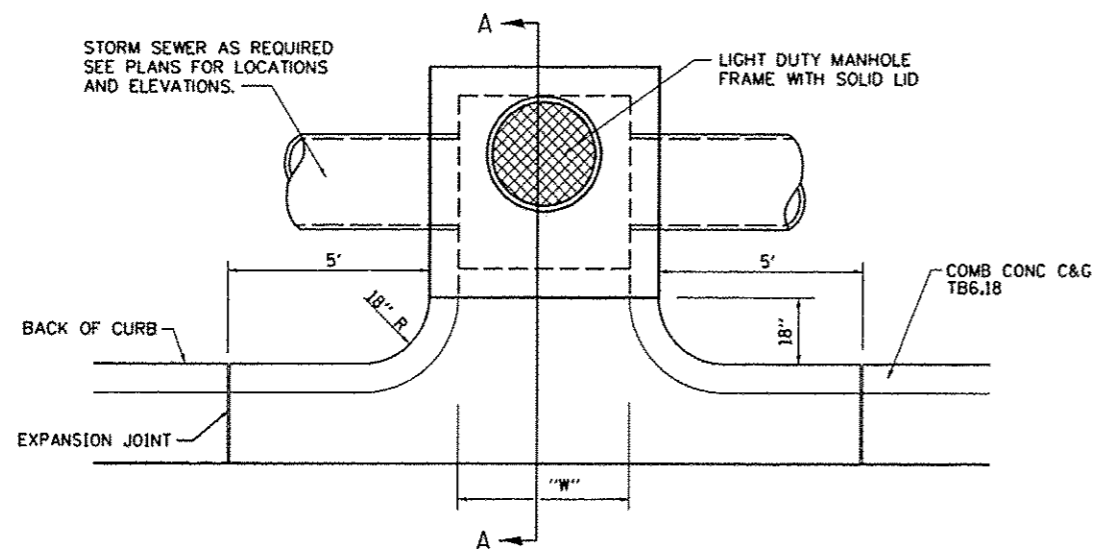


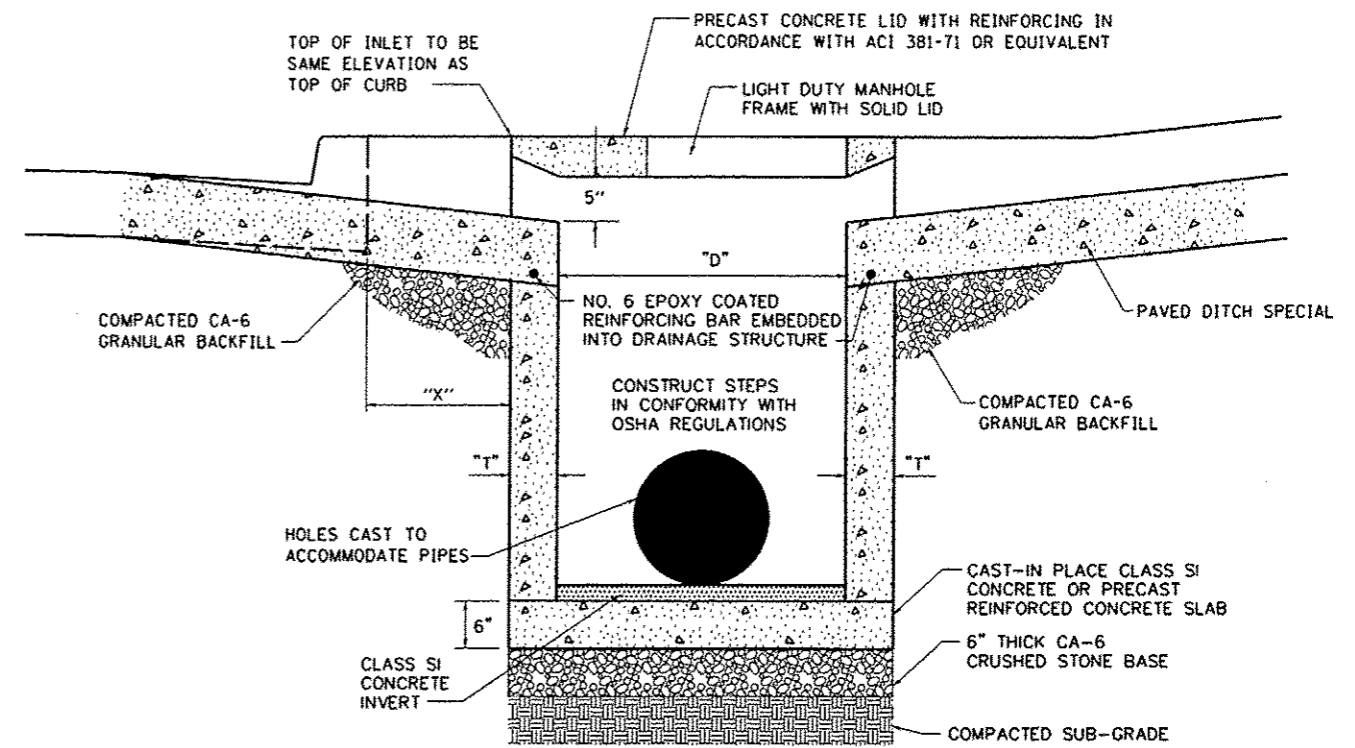
PLAN VIEW
(NOT TO SCALE)

ALTERNATE MATERIALS FOR INLET WALLS	"T" (MIN.)
CONCRETE MASONRY UNITS	5"
BRICK MASONRY	8"
PRECAST REINFORCED CONCRETE SECTIONS	6"
CAST-IN-PLACE CONCRETE	6"

INLET SPECIAL	"W" x "D"
NO. 1	3' x 3'
NO. 2	4' x 4'

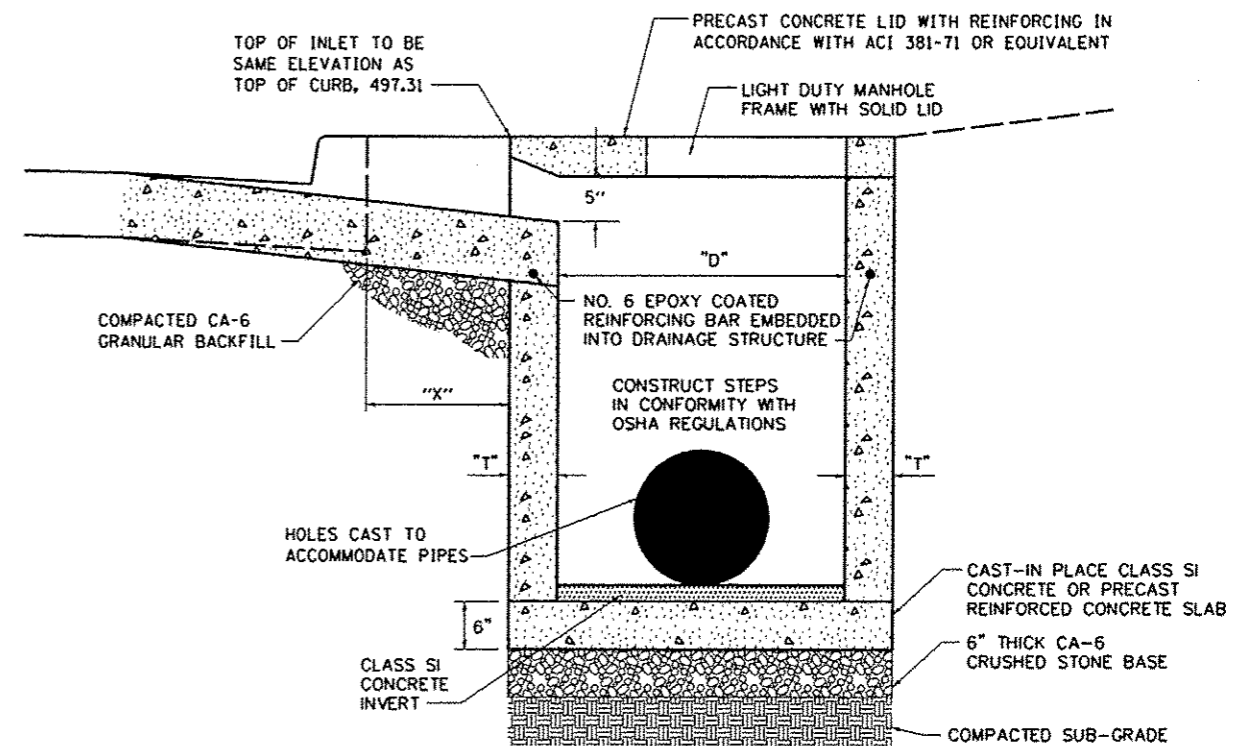


PLAN VIEW
(NOT TO SCALE)



INLET SPECIAL SECTION B-B
(NOT TO SCALE)

INLET SPECIAL DETAIL
STA. 17+36.00, 16.0' RT



INLET SPECIAL SECTION A-A
(NOT TO SCALE)

INLET SPECIAL DETAIL
STA. 17+65.00, 17.5' RT
STA. 17+99.75, 18.5' RT
STA. 18+13.75, 18.5' RT