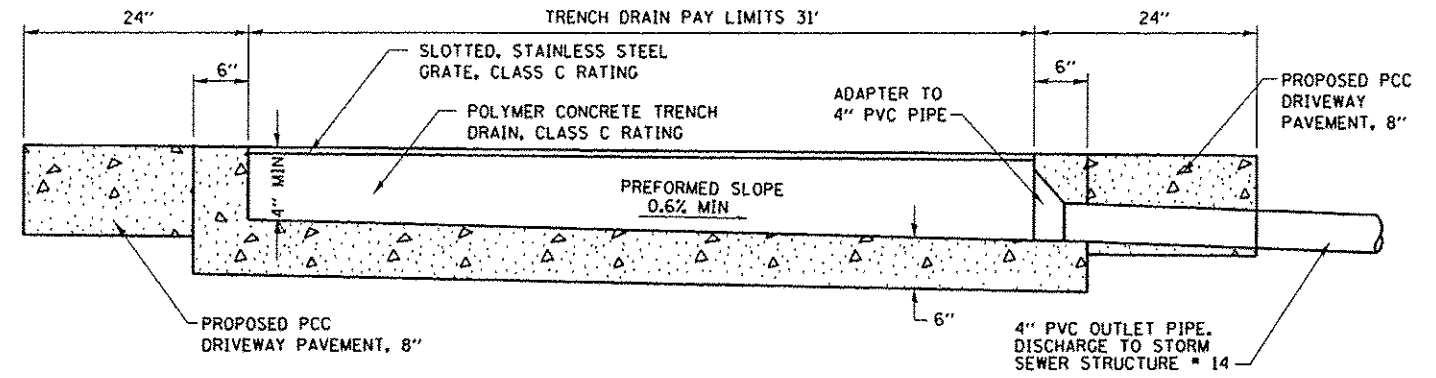
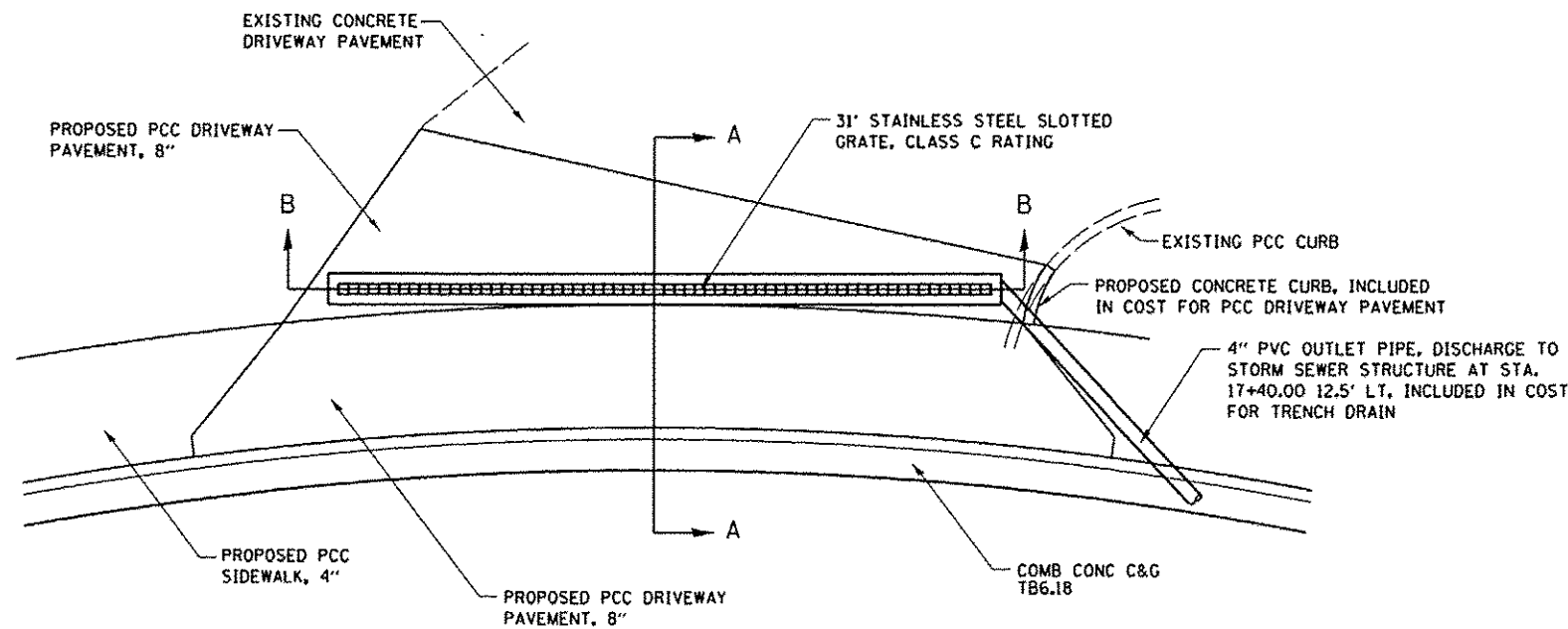


TRENCH DRAIN SECTION A-A
(NOT TO SCALE)

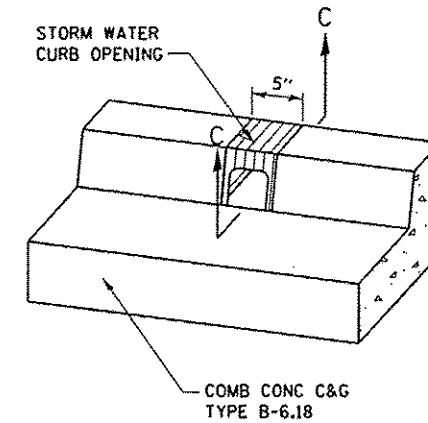


TRENCH DRAIN SECTION B-B
(NOT TO SCALE)

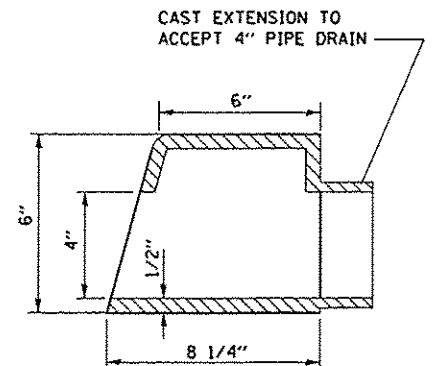


PLAN VIEW
(NOT TO SCALE)

TRENCH DRAIN DETAIL
STA. 17+17.30 LT



ISOMETRIC VIEW
(NOT TO SCALE)



STORM WATER CURB OPENING
SECTION C-C
(NOT TO SCALE)

NOTES:
1. WHEN PIPE DRAINS ARE PLACED UNDER PCC SIDEWALK, PVC PIPE DRAIN SHALL BE USED.

STORM WATER CURB OPENING

STA. 10+40 LT STA. 16+39 RT
STA. 10+87 RT STA. 16+76 RT
STA. 10+92 LT STA. 19+27 RT

FILE NAME * 0828012-shd-details.dgn	USER NAME * default	DESIGNED -	REVISED -	STATE OF ILLINOIS DEPARTMENT OF TRANSPORTATION	CONSTRUCTION DETAILS	F.A.U. RTE. 9308	SECTION 08-00046-00-PV	COUNTY MONROE	TOTAL SHEETS 37	SHEET NO. 31	
	PLOT TIME * 9:29:41 AM	DRAWN -	REVISED -			SCALE: N.T.S.	SHEET 7	OF 7 SHEETS	STA.	TO STA.	CONTRACT NO. 97518
	PLOT SCALE * 20.0000' / IN.	CHECKED -	REVISED -			[ILLINOIS] FED. AID PROJECT					
	PLOT DATE * 3/19/2013	DATE -	REVISED -								