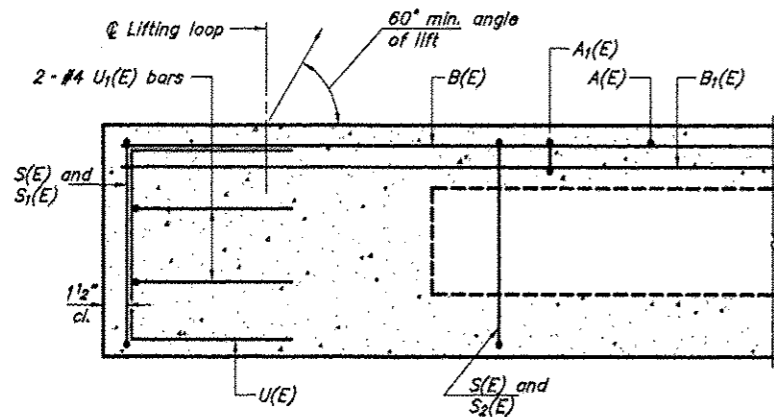
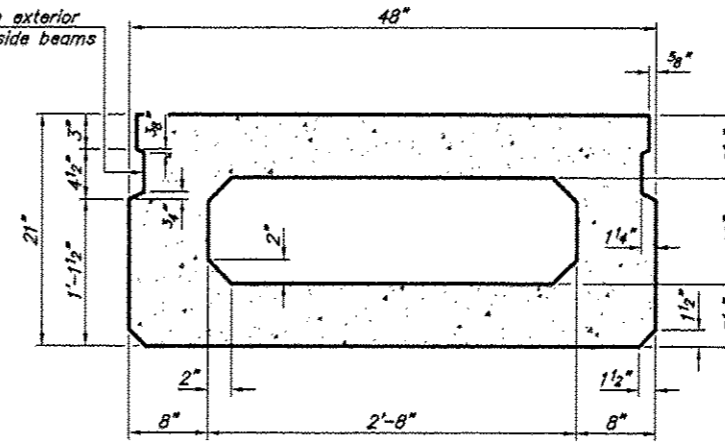


ROUTE	SECTION	COUNTY	TOTAL SHEETS	SHEET NO
TR 88A	10-01197-00-BR	UNION	12	6
PROJECT NO. BROS-181(55)			CONTRACT NO. 99480	

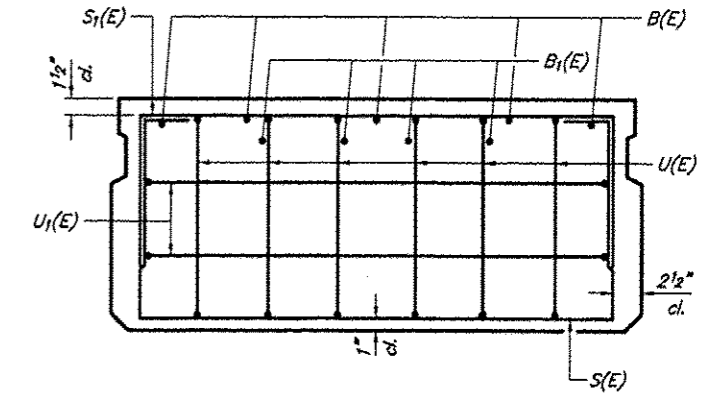


SECTION C-C

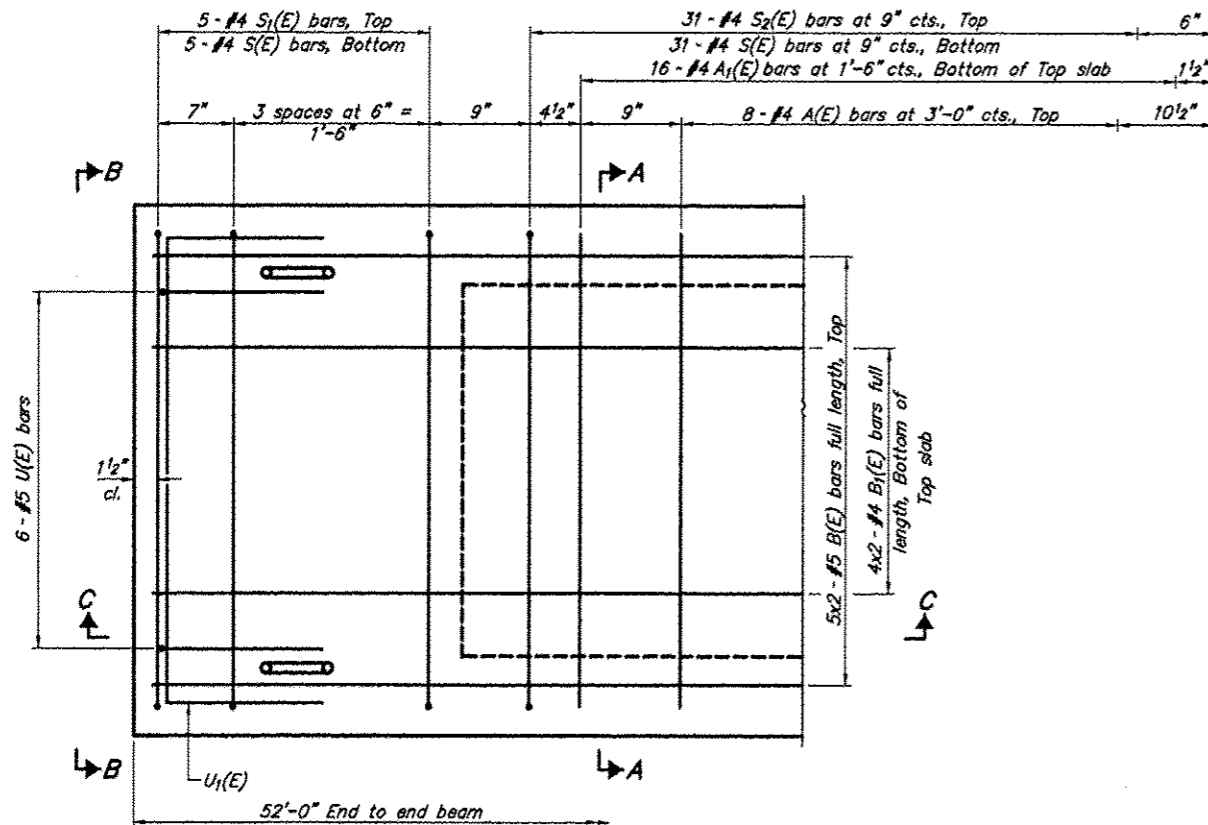
Omit key on exterior face of outside beams



SECTION A-A
(Showing dimensions)



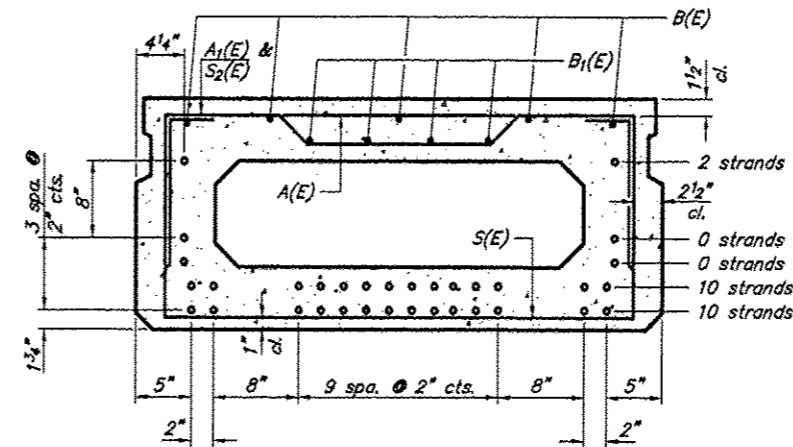
VIEW B-B



PLAN VIEW

Note: Spacing of S(E) and S2(E) bars may be adjusted up to 4" in the immediate area of the transverse tie diaphragms to miss the block outs for the transverse ties.

Symmetrical about $\text{\textcircled{C}}$



SECTION A-A

(Showing reinforcement and permissible strand locations)

Note: Place the number of strands specified in each row symmetrically about the centerline of beam in the permissible strand locations shown.

BAR LIST
ONE BEAM ONLY
(For information only)

Bar	No.	Size	Length	Shape
A(E)	16	#4	3'-7"	—
A1(E)	32	#4	3'-10"	—
B(E)	10	#5	26'-11"	—
B1(E)	8	#4	26'-8"	—
S(E)	72	#4	7'-5"	□
S1(E)	10	#4	5'-11"	□
S2(E)	62	#4	6'-2"	□
U(E)	12	#5	4'-0"	□
U1(E)	4	#4	6'-0"	□

Bar Laps #4 bars = 1'-8"
#5 bars = 2'-2"

21" X 48" PPC DECK BEAM
TOWNSHIP ROUTE 88A (BARTSCH LANE)
TRIBUTARY TO CLEAR CREEK
SECTION 10-01197-00-BR
UNION COUNTY
STRUCTURE NO. 091-3237