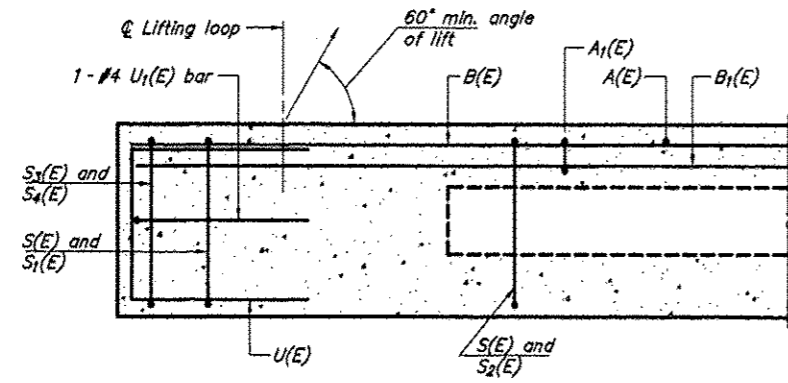
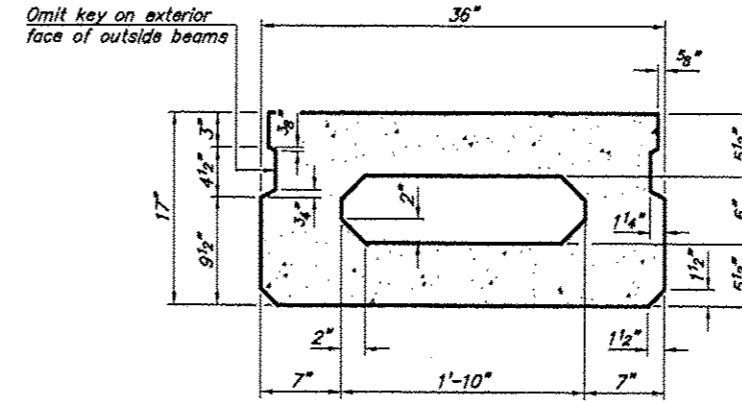


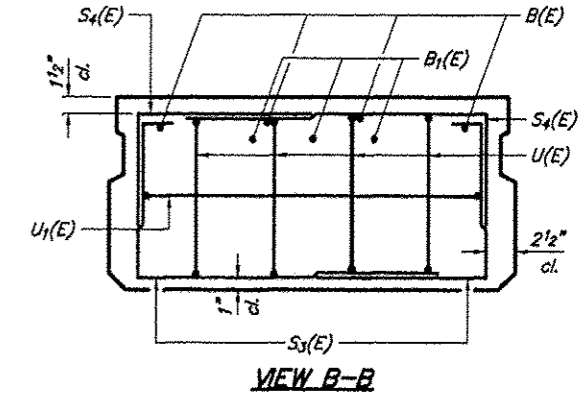
ROUTE	SECTION	COUNTY	TOTAL SHEETS	SHEET NO
TR 164	10-06119-00-BR	SALINE	13	4
PROJECT NO. BROS-165(36)			CONTRACT NO. 99489	



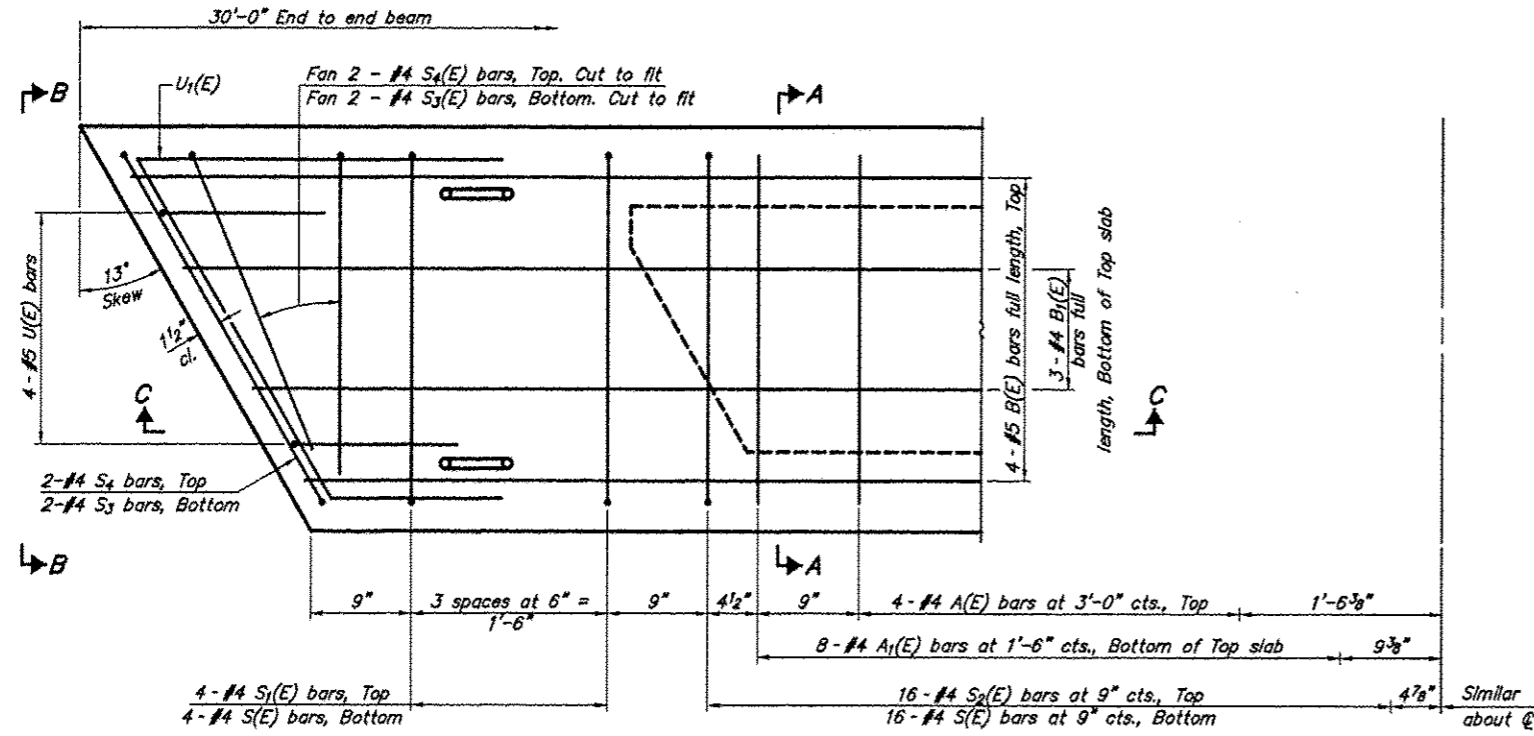
SECTION C-C



SECTION A-A
(Showing dimensions)

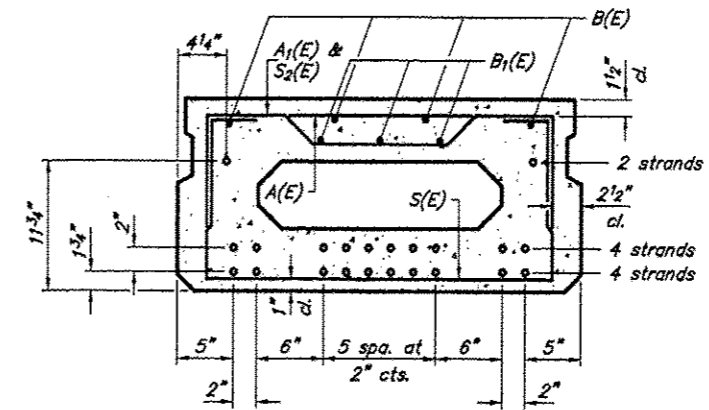


VIEW B-B



PLAN VIEW

Note: Spacing of S(E) and S2(E) bars may be adjusted up to 4" in the immediate area of the transverse tie diaphragms to miss the block outs for the transverse ties.



SECTION A-A
(Showing reinforcement and permissible strand locations)

Note: Place the number of strands specified in each row symmetrically about the centerline of beam in the permissible strand locations shown.

BAR LIST
ONE BEAM ONLY
(For information only)

Bar	No.	Size	Length	Shape
A(E)	8	#4	2'-7"	—
A1(E)	16	#4	2'-10"	—
B(E)	4	#5	29'-8"	—
B1(E)	3	#4	29'-8"	—
S(E)	40	#4	5'-9"	□
S1(E)	8	#4	4'-3"	□
S2(E)	32	#4	4'-6"	□
S3(E)	8	#4	3'-9"	□
S4(E)	8	#4	3'-0"	□
U(E)	8	#5	3'-8"	□
U1(E)	2	#4	5'-8"	□

17" X 36" PPC DECK BEAM
TOWNSHIP ROUTE 164 (BUTLER ROAD)
BRIER CREEK
SECTION 10-06119-00-BR
SALINE COUNTY
STRUCTURE NO. 083-3241