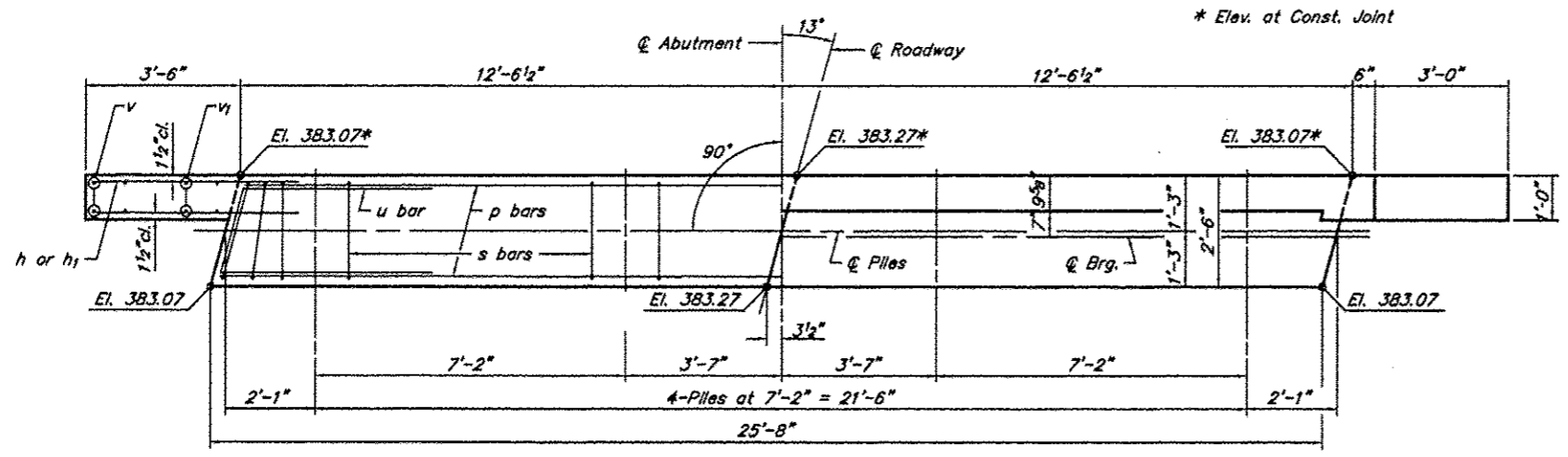
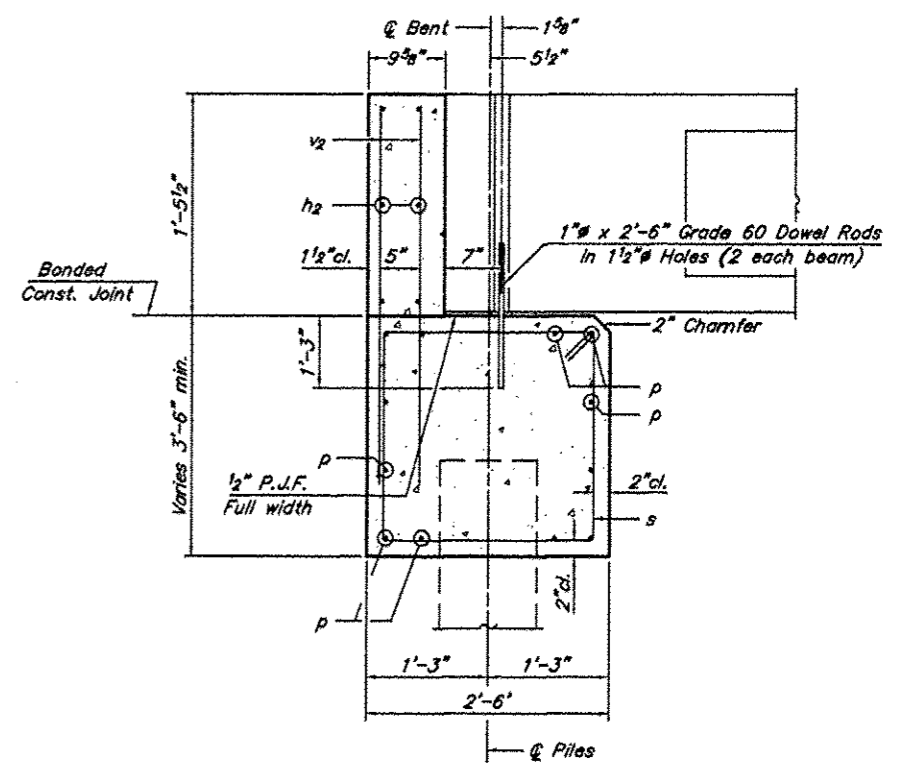


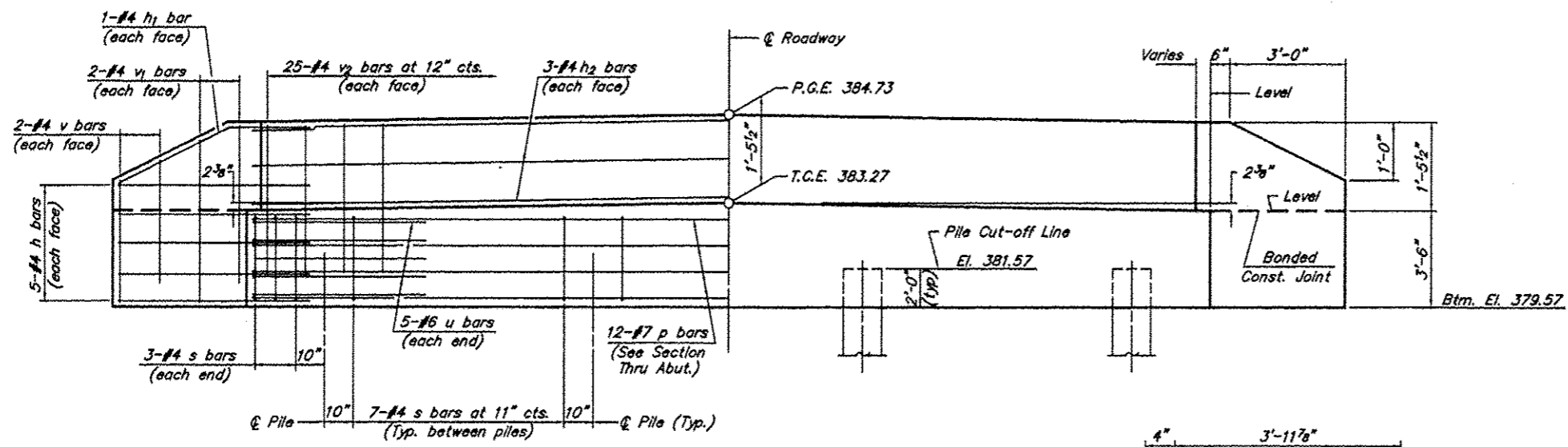
ROUTE	SECTION	COUNTY	TOTAL SHEETS	SHEET NO
TR 164	10-06119-00-BR	SALINE	13	8
PROJECT NO. BROS-165(36)			CONTRACT NO. 99489	



PLAN



SECTION THRU ABUT.
(At Right Angles)



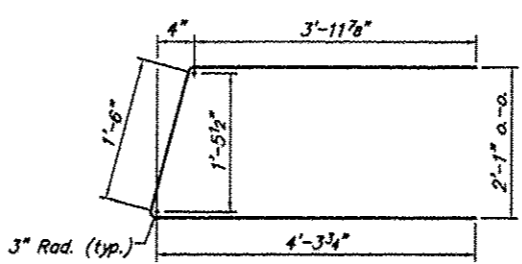
ELEVATION

NOTES

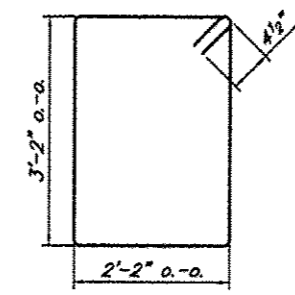
- The Backwall and the portion of the Wingwalls above the bonded construction joint shall be cast against the in-place beam.
- Reinforcement bars shall conform to A.A.S.H.T.O. M-31, M-42 or M-53, Grade 60.

DESIGN STRESSES

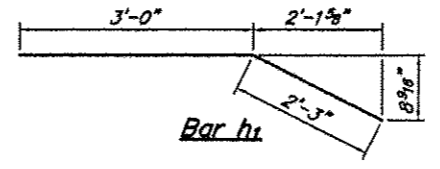
$f'_c = 3,500 \text{ psi}$
 $f_y = 60,000 \text{ psi}$



Bar u



Bar s



Bar h1

BILL OF MATERIAL FOR ONE ABUTMENT

Bar	No.	Size	Length	Shape
h	20	#4	5'-3"	—
h1	4	#4	5'-3"	—
h2	6	#4	25'-4"	—
p	12	#7	25'-4"	—
s	27	#4	11'-5"	□
u	10	#6	10'-7"	—
v	8	#4	3'-10"	—
v1	8	#4	4'-7"	—
v2	50	#4	3'-1"	—
Concrete Structures			10.9	Cu. Yds.
Reinforcement Bars			1320	Lbs.

ABUTMENT
TOWNSHIP ROUTE 164 (BUTLER ROAD)
BRIER CREEK
SECTION 10-06119-00-BR
SALINE COUNTY
STRUCTURE NO. 083-3241