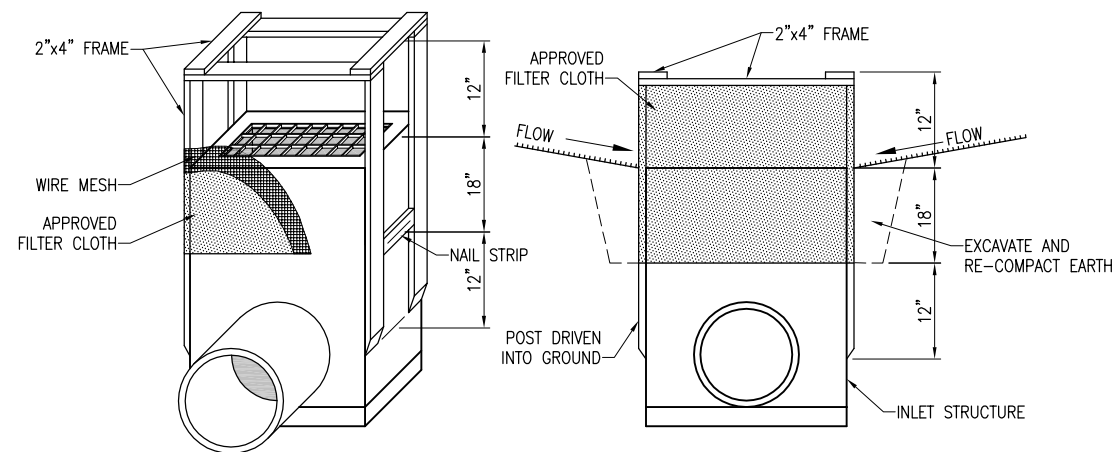
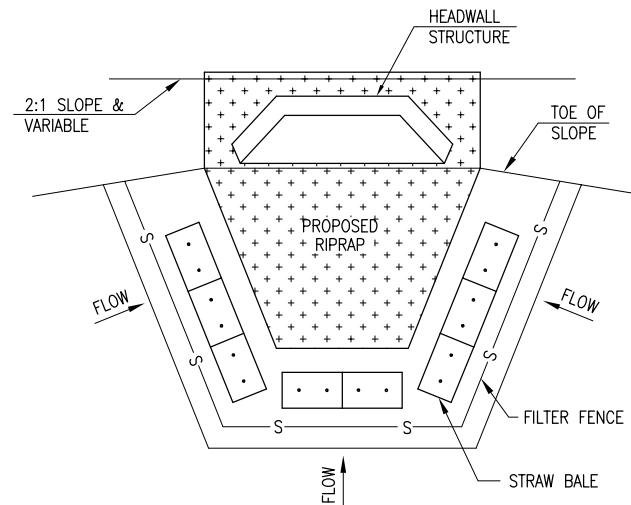


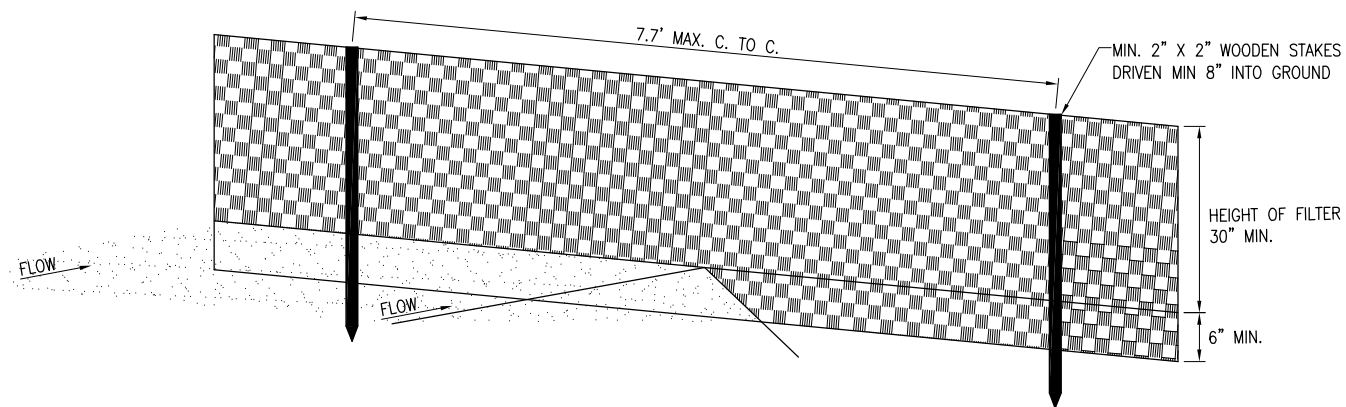
DITCH CHECK DETAIL
"NOT TO SCALE"



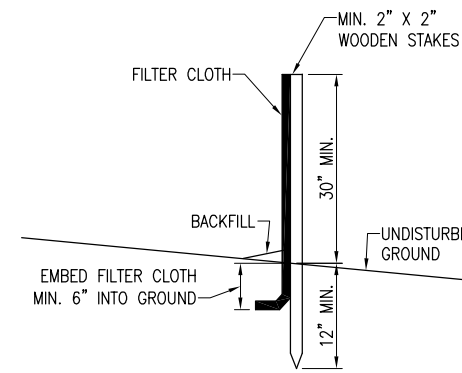
INLET PROTECTION DETAIL
"NOT TO SCALE"



HEADWALL STRUCTURE PROTECTION
"NOT TO SCALE"



PERSPECTIVE VIEW



SECTION

FILTER FENCE DETAIL
"NOT TO SCALE"

| REVISION | DATE |
|----------|------|
| | |
| | |
| | |
| | |

LITCHFIELD MUNICIPAL AIRPORT
LITCHFIELD, ILLINOIS

IL PROJ.: 31F-4194 BLOCK GRANT PROJ.: 3-17-0063-B19

| | | |
|---------------------------|-----|----------|
| Hanson Proj. No. 12A0062D | CAH | 06/11/12 |
| Filename: R-181-SWP.dwg | BAK | 06/11/12 |
| Scale: 1" = 30' | CAH | 01/10/13 |
| Date: 01/11/13 | | |
| LAYOUT | | |
| DRAWN | | |
| REVIEWED | | |

HANSON
Professional Services Inc. 2013
Hanson Professional Services Inc.
1525 South Sixth Street
Springfield, Illinois 62703-2986
Ph: (217) 788-2450 Fax: (217) 788-2503
www.hanson-inc.com
Offices Nationwide

REALIGN TAXIWAY "A"
PROPOSED STORMWATER
POLLUTION PREVENTION DETAILS