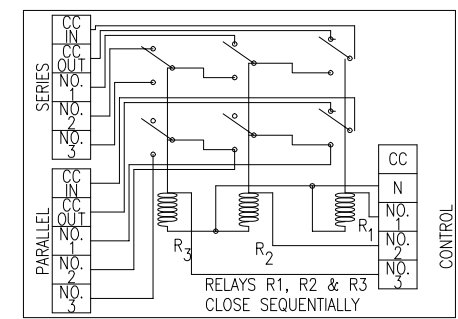


NOTES

1. ALL ELECTRICAL EQUIPMENT WILL BE WIRED IN ACCORDANCE WITH THE SCHEMATIC WIRING DIAGRAM, ALL APPLICABLE CODES, AND AS SPECIFIED HEREIN.
2. ALL CONTROL CABLE WILL BE NO. 12 AWG, 600 VOLT CABLE.
3. ALL ELECTRICAL EQUIPMENT WILL BE PROPERLY LABELED AND ALL ELECTRICAL CABLES WILL BE TAGGED.
4. ALL ELECTRICAL CABLES INSIDE THE VAULT WILL BE IN CONDUIT OR WIREWAY.
5. THE EXISTING RUNWAY 9-27 PAPI CIRCUITS ARE CONTROLLED BY THE L-854 RADIO CONTROL UNIT IN THE FOLLOWING MANNER:
3 CLICKS - ON
5 CLICKS - REMAIN ON
7 CLICKS - REMAIN ON
6. THE RUNWAY 27 REILS CIRCUIT SHALL BE CONTROLLED BY THE L-854 RADIO CONTROL UNIT IN THE FOLLOWING MANNER:
3 CLICKS - OFF
5 CLICKS - OFF
7 CLICKS - ON
7. L-854 RADIO CONTROL UNIT, INTERFACE PANEL FOR RUNWAY 9-27, CCR FOR RWY 9-27, LIGHTING CONTACTORS & HAND-OFF-AUTO SELECTOR SWITCHES ARE EXISTING. INTERFACE NEW CONTROL WIRING TO EXISTING CONTROL SYSTEM. FIELD VERIFY EXISTING CONTROL CIRCUITS.
8. EQUIPMENT GROUND WIRES SHALL BE INCLUDED WITH EACH BRANCH/FEEEDER CIRCUIT & EACH CONTROL CIRCUIT.
9. NEW CONDUCTORS FOR REIL CIRCUITS SHALL BE AS DETAILED HEREIN & IN THE SPECIAL PROVISIONS.
10. "N" DESIGNATES NEUTRAL CONNECTION OR NEUTRAL CONDUCTOR.
11. PROVIDE PHENOLIC OR PLASTIC ENGRAVED LEGEND PLATES FOR THE RUNWAY 27 REIL LIGHTING CONTACTOR AND HAND-OFF-AUTO SELECTOR SWITCH LABELED "RWY 27 REIL".

SHEET LEGEND

- ② EXISTING 240 VAC FEEDER CIRCUIT FOR RUNWAY 27 PAPI FROM VAULT PANEL CKT 2, 4.
- ⑤ EXISTING 240 VAC POWER CIRCUIT FOR RWY 9-27 CCR FROM VAULT PANELBOARD CKT 5, 7.
- ⑪ NEW 240 VAC FEEDER CIRCUIT FOR RUNWAY 27 REIL FROM VAULT PANEL CKT 11, 13.
- ⑰ EXISTING 120 VAC CONTROL POWER CIRCUIT FOR L-854 RADIO FROM VAULT PANELBOARD CKT 17. INTERFACE TO LIGHTING CONTACTOR FOR RWY 27 REIL.
- ⑳ EXISTING 240 VAC FEEDER CIRCUIT FOR RUNWAY 9 PAPI'S FROM VAULT PANEL CKT 29, 31.
- N N DESIGNATES NEUTRAL FROM THE RESPECTIVE PANEL THAT POWERS THE DEVICE. FOR CONTROL CIRCUIT INPUTS TO CCR'S N SHALL BE FROM THE RESPECTIVE INTERFACE PANEL CIRCUIT NEUTRAL CONNECTION.



TYP. INTERFACE PANEL DETAIL

RUNWAY 27 REIL CONTROL WIRING SCHEMATIC

REVISION	DATE

LITCHFIELD MUNICIPAL AIRPORT
LITCHFIELD, ILLINOIS

IL PROJ.: 31F-4194 BLOCK GRANT PROJ.: 3-17-0063-B19

Hanson Proj. No. 12A0062D	Filename E-603-SCM.dwg	Scale NOT TO SCALE	Date 01/11/13
LAYOUT	KNL	01/02/13	
DRAWN	BAK	01/03/13	
REVIEWED	CAH/KNL	01/10/13	

HANSON
© Copyright Hanson Professional Services Inc. 2013
Hanson Professional Services Inc.
1525 South Sixth Street
Springfield, Illinois 62703-2886
Ph: (217) 788-2450 Fax: (217) 788-2503
www.hanson-inc.com
Offices Nationwide

REALIGN TAXIWAY "A"
RUNWAY 27 REIL CONTROL WIRING SCHEMATIC

FEB 06, 2013 2:14 PM HAGL000382
pw:\sproj-sv306-hanson-dom-hanson-projects\documents\12a0062d\12a0062d\CAD\litchfield\litchfield\litchfield\litchfield\litchfield.dwg