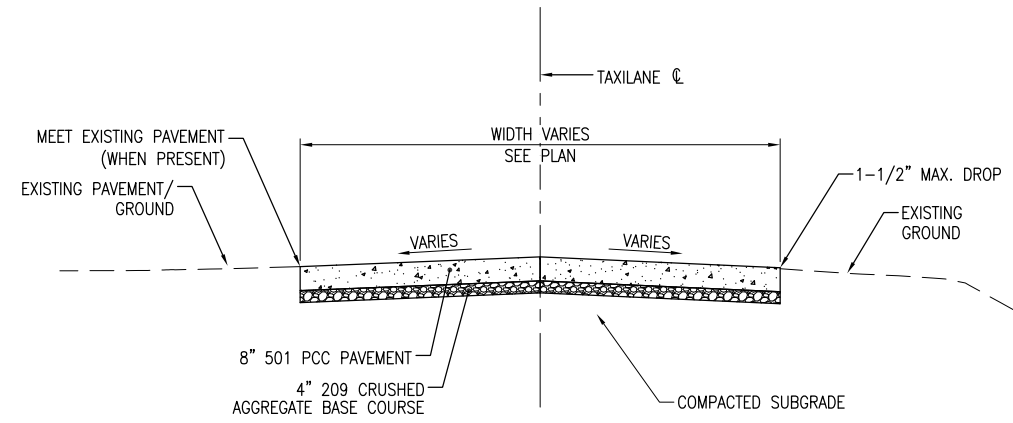
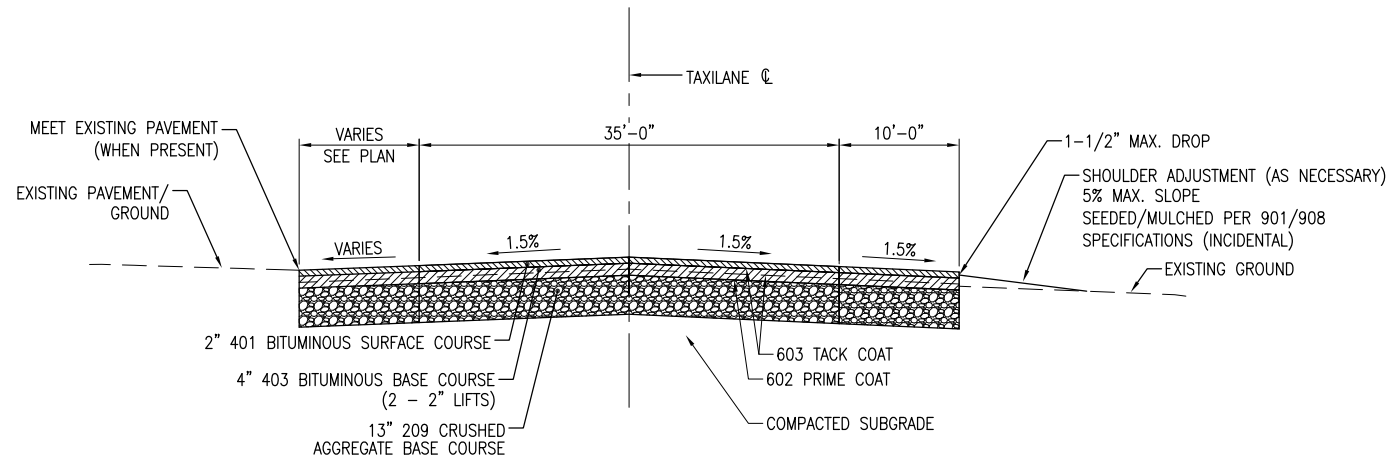


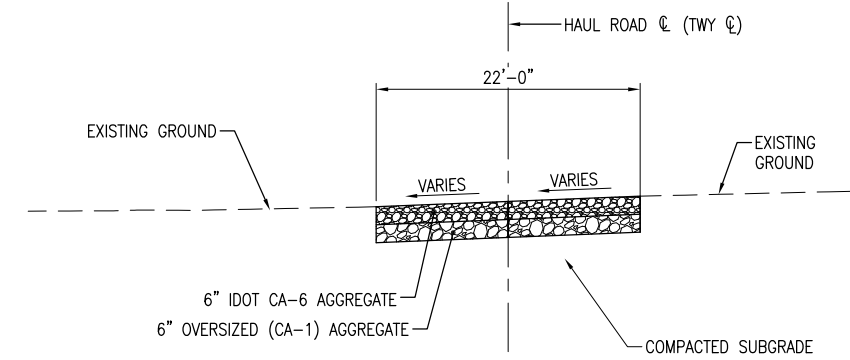
TYPICAL SECTION - TAXILANE
 STA. 106+62.00 TO STA. 111+51.49
 (SLOPES AND DIMENSIONS VARY AT INTERSECTIONS)
 NOT TO SCALE



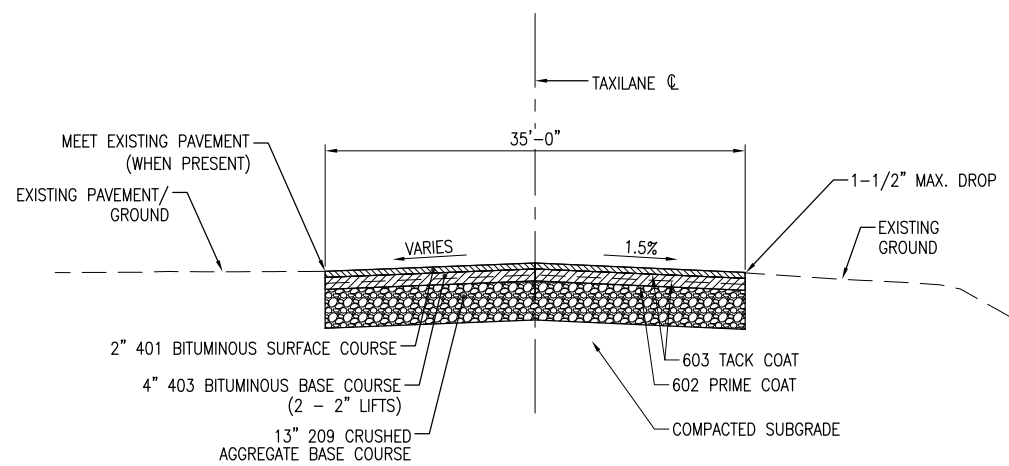
**TYPICAL SECTION - TAXILANE/
 TAXILANE CONNECTOR 2**
 STA. 111+98.41 TO STA. 112+79.38
 (SLOPES AND DIMENSIONS VARY AT INTERSECTIONS)
 NOT TO SCALE



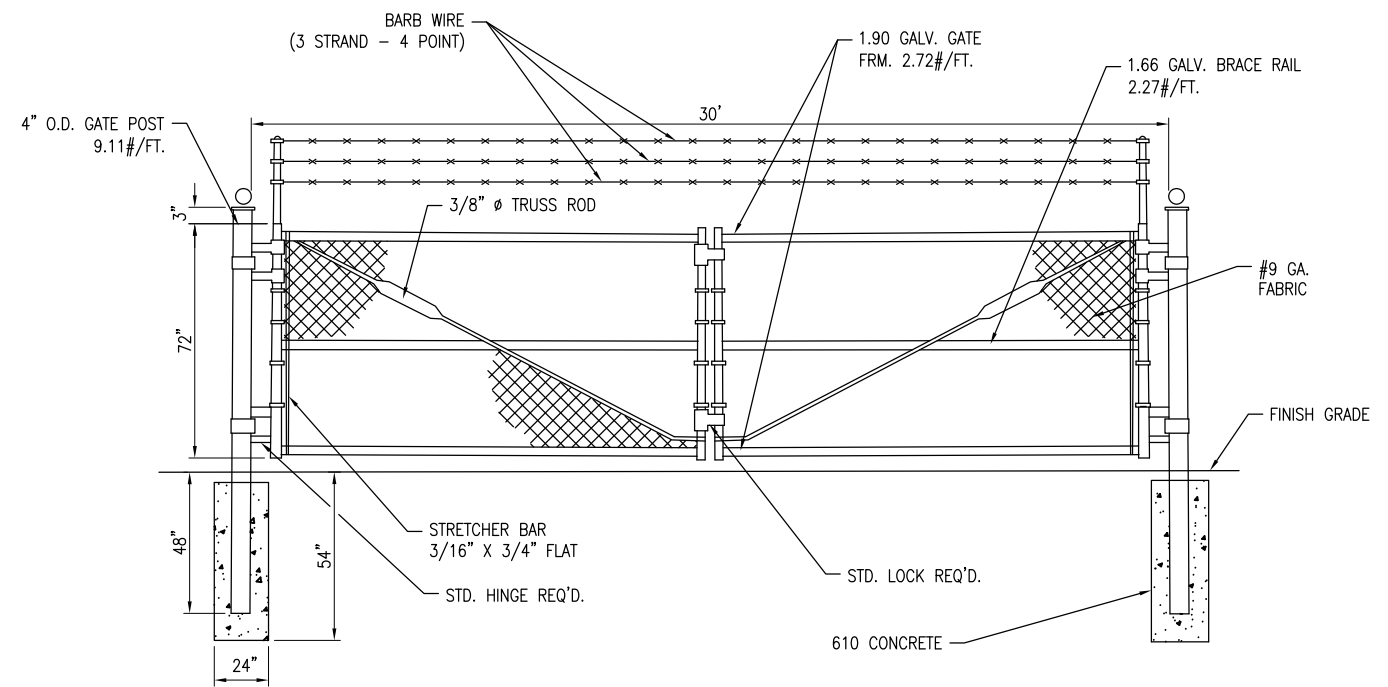
TYPICAL SECTION - TAXILANE
 STA. 105+77.39 TO STA. 106+62.00
 STA. 111+51.49 TO STA. 111+98.41
 (SLOPES AND DIMENSIONS VARY AT INTERSECTIONS)
 NOT TO SCALE



TYPICAL SECTION - HAUL ROAD
 NOT TO SCALE



**TYPICAL SECTION - TAXILANE/
 TAXILANE CONNECTOR 1**
 STA. 102+00 TO STA. 105+77.39
 (SLOPES AND DIMENSIONS VARY AT INTERSECTIONS)
 NOT TO SCALE



MANUAL DOUBLE SWING CHAIN LINK GATE
 NOT TO SCALE

REVISION

SAINT LOUIS DOWNTOWN AIRPORT
 A Division of Bi-State Development Agency
 BLOCK GRANT PROJ.: 3-17-0039-B30
 IL PROJ.: CPS-4213

Hanson Project No.	12A0069	LAYOUT	MLH	02/04/13
Filename	C-300-TYP.dwg	DRAWN	MLH	02/04/13
Scale	NOT TO SCALE	REVIEWED	BSS	03/08/13
Date	03/08/13			

HANSON
 © Copyright Hanson Professional Services Inc. 2013
 Hanson Professional Services Inc.
 1525 South Main Street
 Springfield, Illinois 62703-2886

RECONSTRUCT TAXILANE IN NORTHWEST QUADRANT
 PROPOSED TYPICAL SECTIONS

MAR 11, 2013 11:59 AM HARR01115
 p:\s\svr306\hanson\Projects\Documents\12A0069\12A0069D\CAD\Airport\Sheet\C-300-TYP