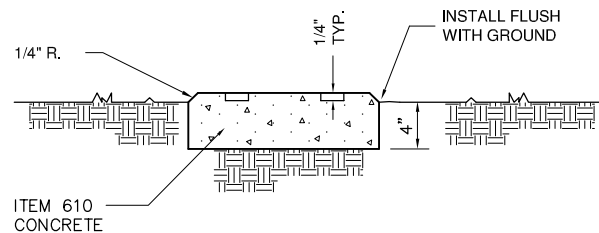


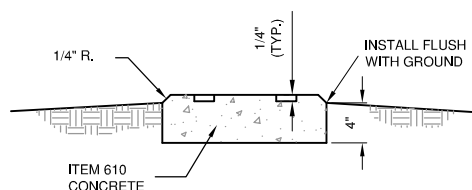
TURF CABLE / SPLICE MARKER NOTES

- CABLE MARKERS SHALL BE INSTALLED AT ALL BENDS AND EVERY 200' ALONG THE HOMERUN.
- ITEM 610 CONCRETE SHALL BE USED.
- ALL EXPOSED EDGES SHALL BE EDGED WITH A 1/4" RADIUS TOOL.
- THE COST OF FURNISHING AND INSTALLING NEW MARKERS SHALL BE INCIDENTAL TO THE ASSOCIATED ITEMS.
- 0.049 CU. YD. CONCRETE PER MARKER.
- A MARKER CONFORMING TO THIS DETAIL MARKED "SPLICE" SHALL BE INSTALLED AT ALL SPLICE LOCATIONS NOT IN LIGHT CANS OR MANHOLES.



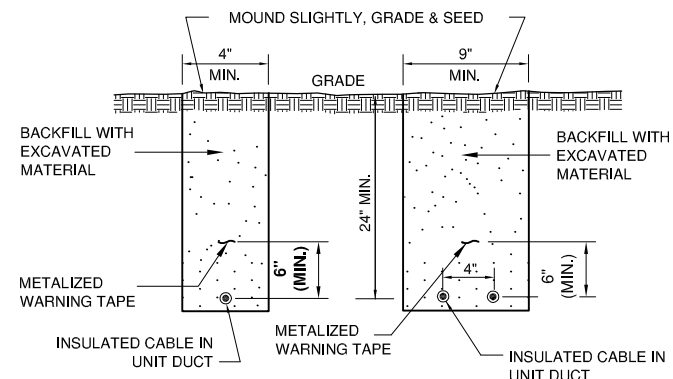
TURF CABLE / SPLICE MARKER DETAILS

N.T.S.



TURF CABLE / SPLICE MARKER DETAILS

N.T.S.

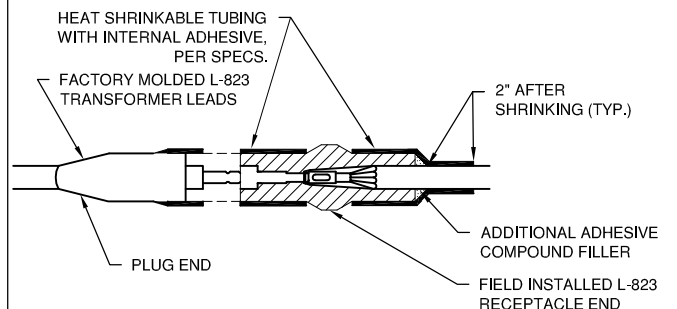
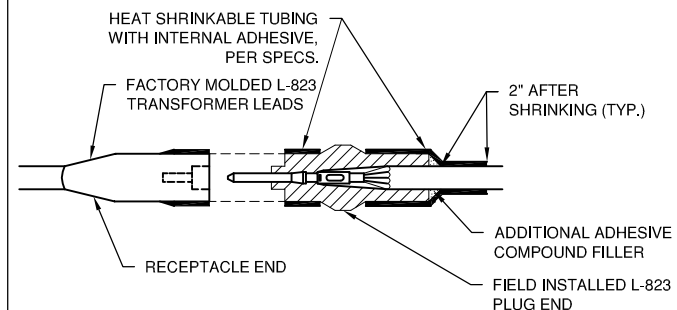


TRENCH DETAIL

N.T.S.

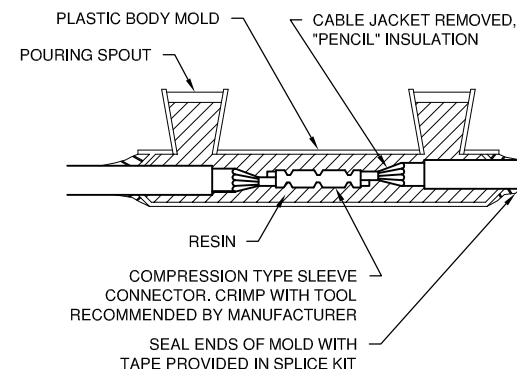
NOTES:

- TRENCHES WITH MORE THAN 2 CABLES SHALL BE INCREASED 3" IN WIDTH FOR EACH ADDITIONAL CABLE. IF SPECIFIED ON PLANS, TWO PARALLEL TRENCHES MAY BE CONSTRUCTED.
- DEPTH OF TRENCHES SHALL BE AS SHOWN ABOVE UNLESS OTHERWISE SPECIFIED ON THE PLANS.
- SAND BACKFILL SHALL BE USED IF THE EXISTING SOIL DOES NOT MEET THE BACKFILL REQUIREMENTS.
- ALL DISTURBED SURFACES SHALL BE RESTORED TO THEIR ORIGINAL CONDITION. COST IS INCIDENTAL TO ITEM 108.



FOR SPLICES AT ISOLATION TRANSFORMERS.

TYPE C AND D



FOR IN-LINE CONNECTIONS OF EXISTING CABLES CUT DURING CONSTRUCTIONS.

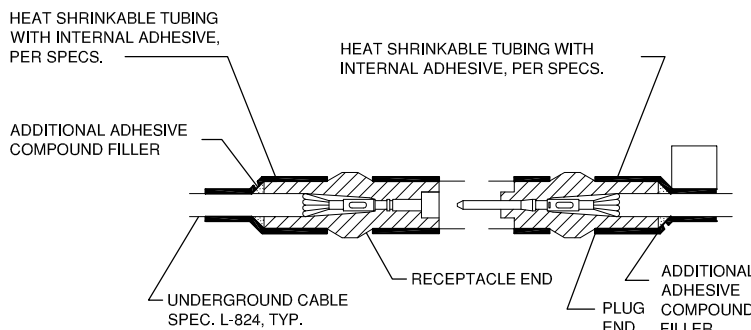
TYPE A

CABLE SPLICES

N.T.S.

NOTES

- INSIDE DIAMETER OF CONNECTOR SHALL PROPERLY MATCH THE OUTSIDE DIAMETER OF CABLE.
- THE COST OF FURNISHING AND INSTALLING ALL SPLICE MATERIALS SHALL BE INCIDENTAL TO THE ASSOCIATED CABLE ITEMS.
- THE CONTRACTOR SHALL HAVE A MINIMUM OF TWO (2) TYPE A SPLICE KITS ON THE JOB SITE AT ALL TIMES FOR EMERGENCY REPAIRS.
- CONNECTION OF CONDUCTORS MUST BE MADE BY USING CRIMP CONNECTORS AND A CRIMPING TOOL APPROVED BY THE CONNECTOR/LUG MANUFACTURER. THE TOOL MUST PRODUCE A COMPLETE CRIMP BEFORE IT CAN BE REMOVED. THE CRIMPING TOOL USED MUST BE LISTED BY THE L-823 KIT MANUFACTURER. MAKE THE NUMBER AND TYPE OF CRIMPS PER THE KIT MANUFACTURER'S INSTRUCTIONS.



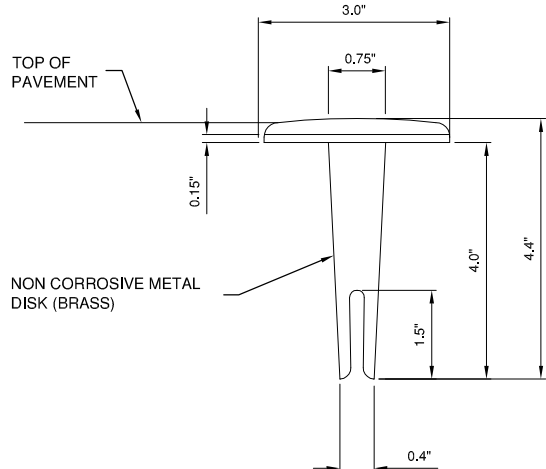
NOT TO BE USED IN THIS PROJECT UNLESS OTHERWISE DIRECTED BY ENGINEER

TYPE B

TYPE, NUMBER OF DUCTS AND DUCT SIZE STAMPED ON MARKER

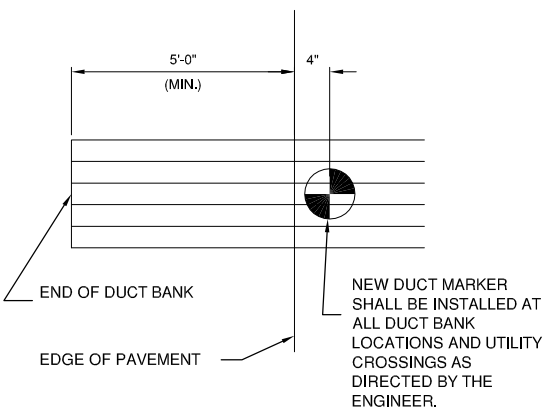
**ELEC.
4-4"**

PLAN



SECTION

NEW DUCT MARKERS SHALL BE INSTALLED AT BOTH EDGES OF PAVEMENT AT ALL NEW DIRECTIONAL BORE, SPLIT DUCT, AND CONCRETE ENCASED DUCT LOCATIONS. AR110105-DUCT MARKER-IN PAVEMENT



MARKER PLACEMENT

DUCT MARKERS SHALL BE RECESSED AND GROUTED INTO THE PAVEMENTS.

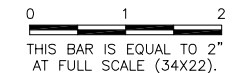
DUCT MARKER DETAILS

N.T.S.

SP023

REVISIONS

NUMBER	BY	DATE



**SPARTA COMMUNITY AIRPORT
HUNTER FIELD
SPARTA, ILLINOIS**

TAXIWAY EXTENSION

ELECTRICAL DETAILS 1

© Copyright CMT, Inc.

CMT
CRAWFORD, MURPHY & TILLY, INC.
CONSULTING ENGINEERS
License No. 184-000613



DESIGN BY:	CBG
DRAWN BY:	CMT
CHECKED BY:	CET
APPROVED BY:	CET
DATE:	MARCH 1, 2013
JOB No:	1241201

IL PROJ. NO. SAR-4224
SBG NO. 3-17-0094-B11