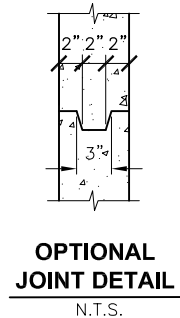
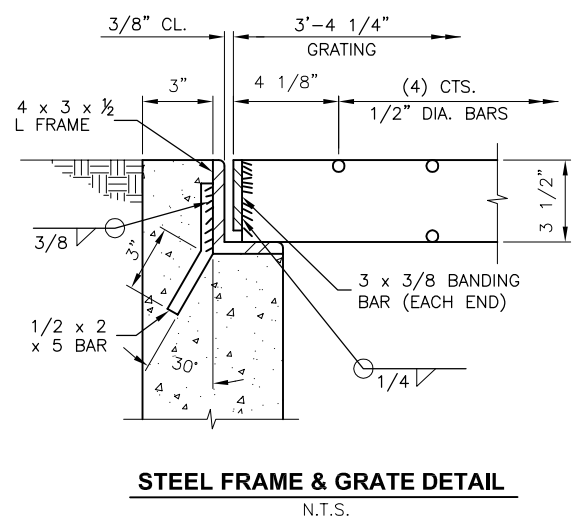
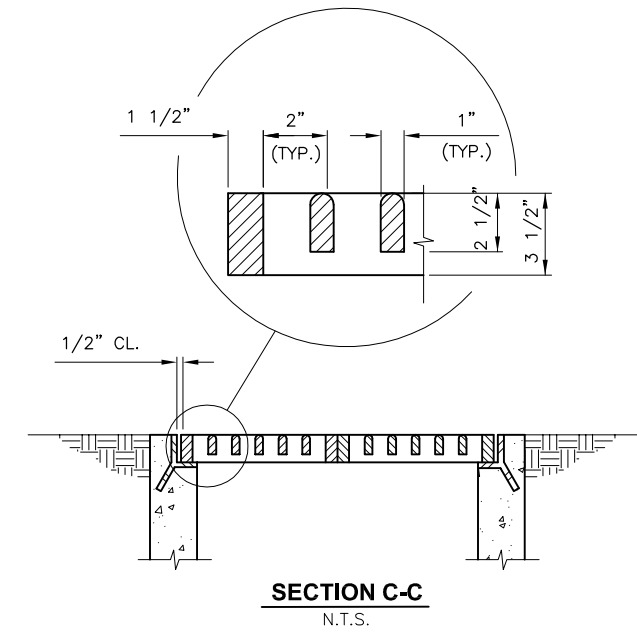
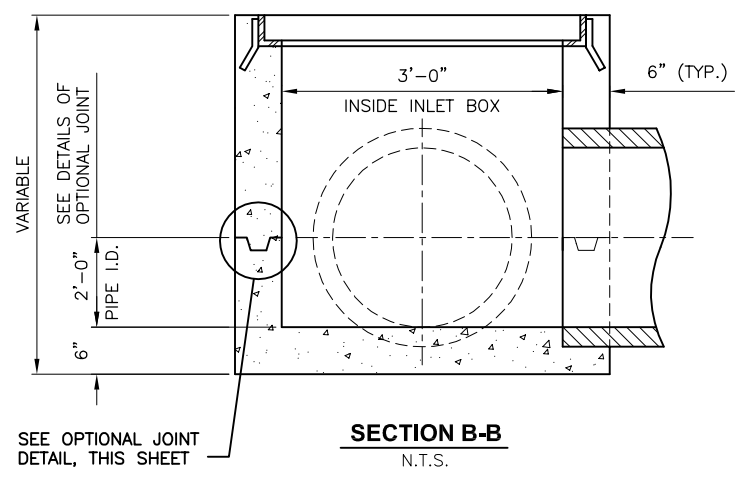
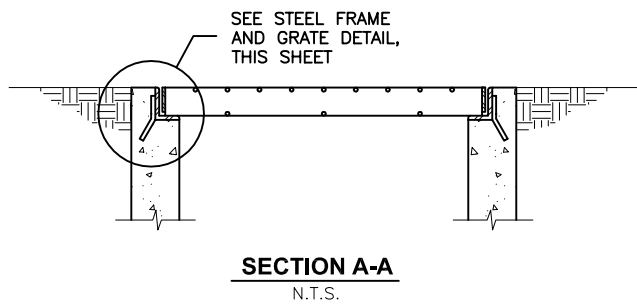
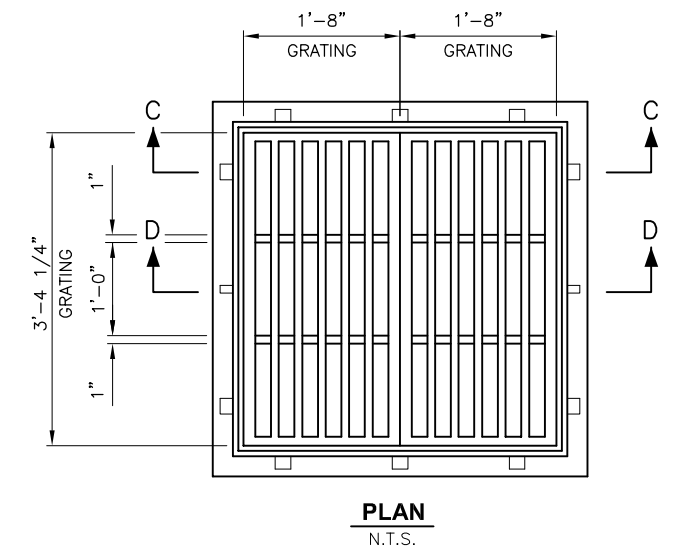
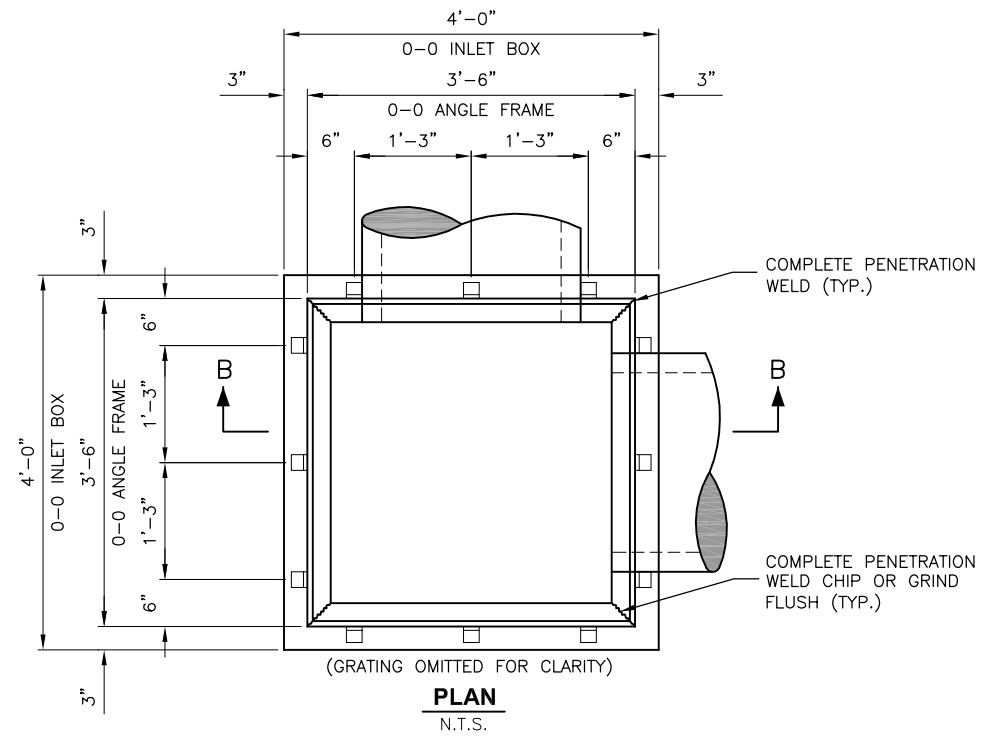
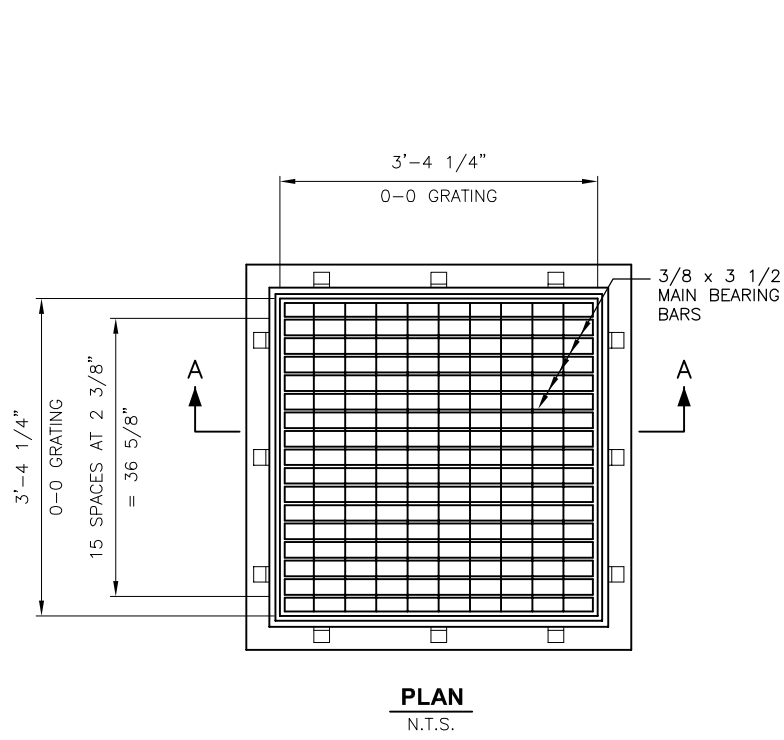


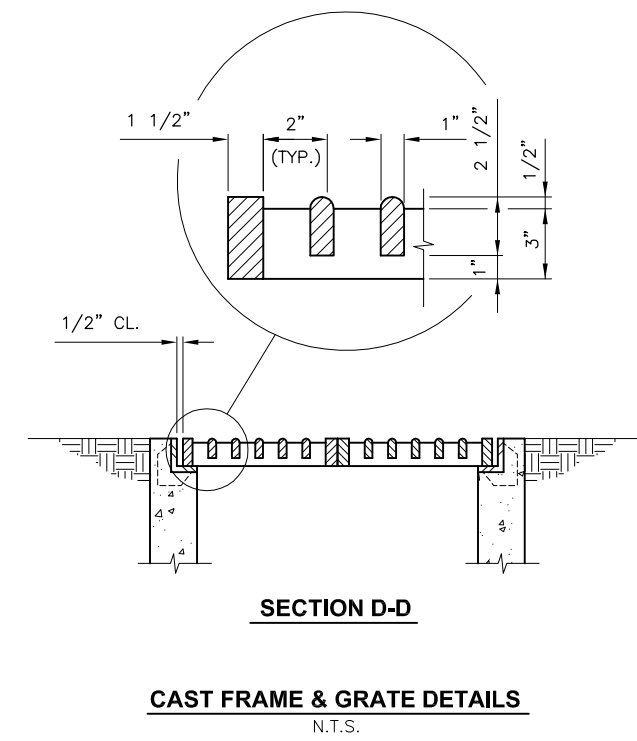
SP023

REVISIONS		
NUMBER	BY	DATE

0 1 2
 THIS BAR IS EQUAL TO 2"
 AT FULL SCALE (34X22).



INLET NOTE
 INLET IS AN IDOT STD. 542546,
 FLUSH INLET BOX FOR MEDIAN,
 FRAME & GRATES ARE NEENAH
 R-3807 OR APPROVED EQUAL.



CAST FRAME & GRATE DETAILS
N.T.S.

**SPARTA COMMUNITY AIRPORT
 HUNTER FIELD
 SPARTA, ILLINOIS
 TAXIWAY EXTENSION
 INLET DETAILS**

© Copyright CMT, Inc.
CMT
 CRAWFORD, MURPHY & TILLY, INC.
 CONSULTING ENGINEERS
 License No. 184-000613

DESIGN BY:	CBG
DRAWN BY:	CMT
CHECKED BY:	CET
APPROVED BY:	CET
DATE:	MARCH 1, 2013
JOB No:	1241201
IL PROJ. NO.	SAR-4224
SBG NO.	3-17-0094-B11
SHEET	18 OF 28 SHEETS