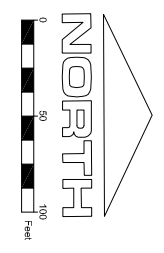
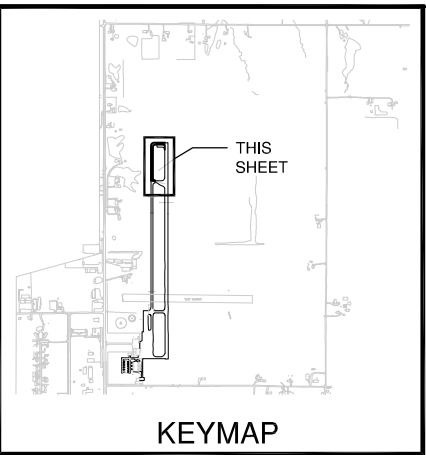


SAR-V-ALAE  
 SAR-C-SPAL  
 SAR-V-AL  
 SAR-C-MP  
 KEYMAP

**SP023**

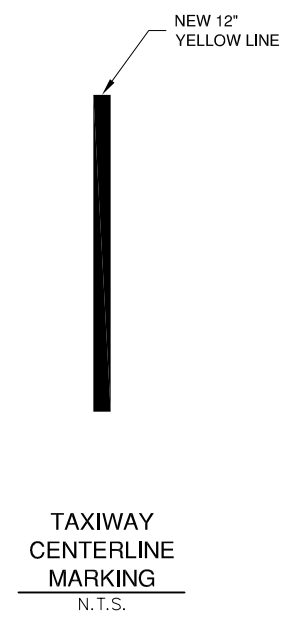
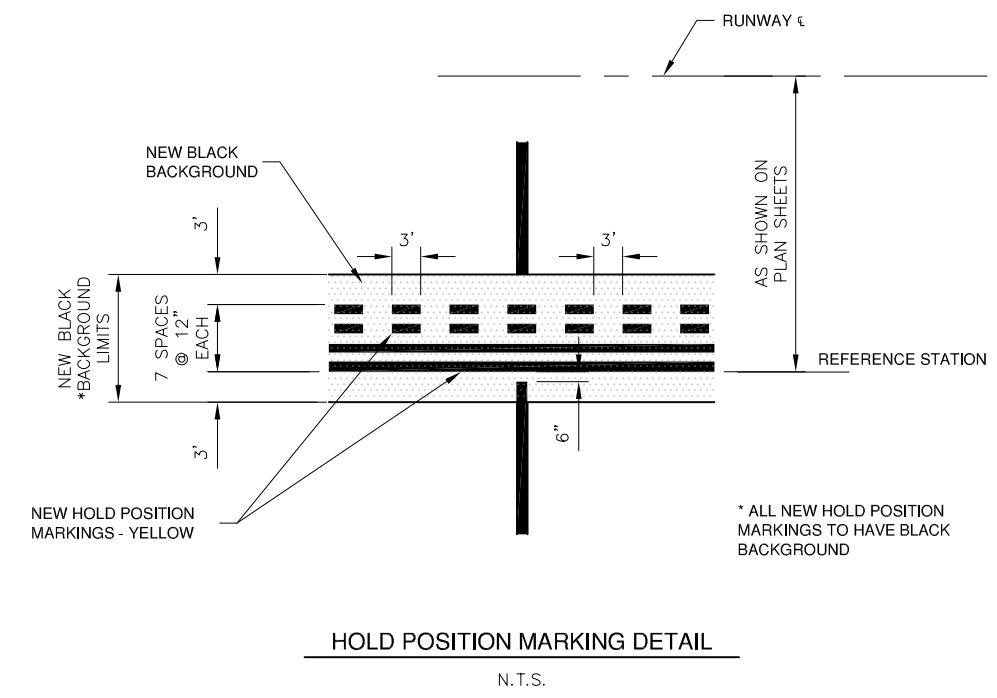
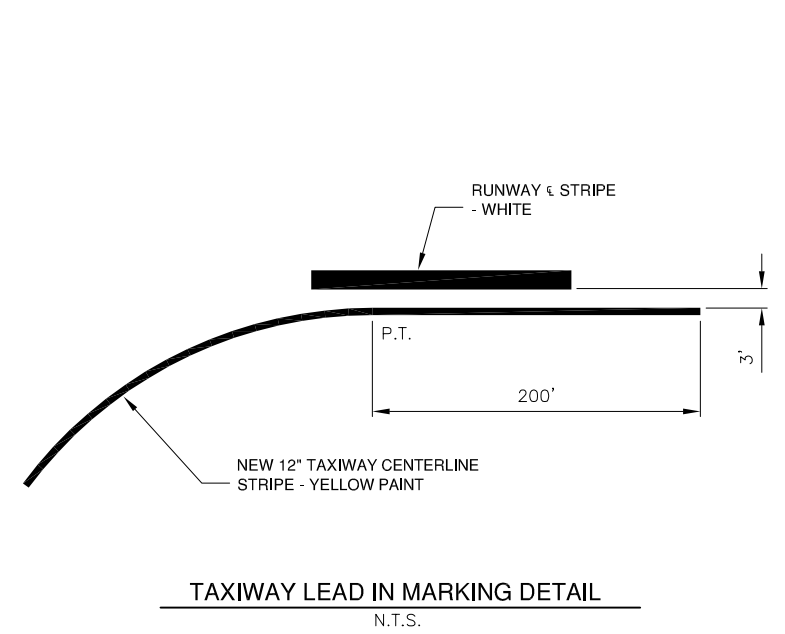
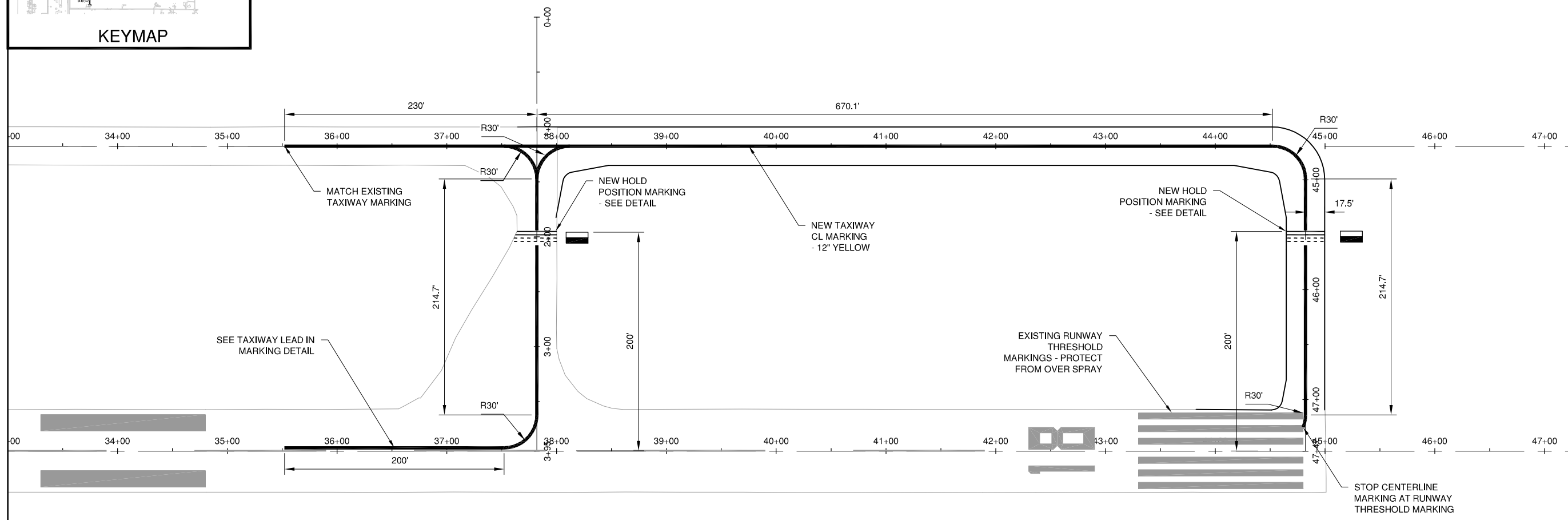
REVISIONS		
NUMBER	BY	DATE

0 1 2  
 THIS BAR IS EQUAL TO 2"  
 AT FULL SCALE (34X22).



**LEGEND**

	EXISTING MARKING
	NEW MARKING
	PAVEMENT MARKING REMOVAL



- NOTES:**
1. YELLOW MARKINGS TO BE PAID FOR UNDER ITEM AR620520 PAVEMENT MARKING - WATER BORNE.
  2. BLACK MARKINGS TO BE PAID FOR UNDER ITEM AR620525 - PAVEMENT MARKING BLACK BORDER.

**SPARTA COMMUNITY AIRPORT  
 HUNTER FIELD  
 SPARTA, ILLINOIS**

**TAXIWAY EXTENSION  
 PAVEMENT MARKING PLAN**

© Copyright CMT, Inc.  
**CMT**  
 CRAWFORD, MURPHY & TILLY, INC.  
 CONSULTING ENGINEERS  
 License No. 184-000613

DESIGN BY:	CBG
DRAWN BY:	CMT
CHECKED BY:	CET
APPROVED BY:	CET
DATE:	MARCH 1, 2013
JOB No:	1241201
IL PROJ. NO.	SAR-4224
SBG NO.	3-17-0094-B11
SHEET 19 OF 28 SHEETS	