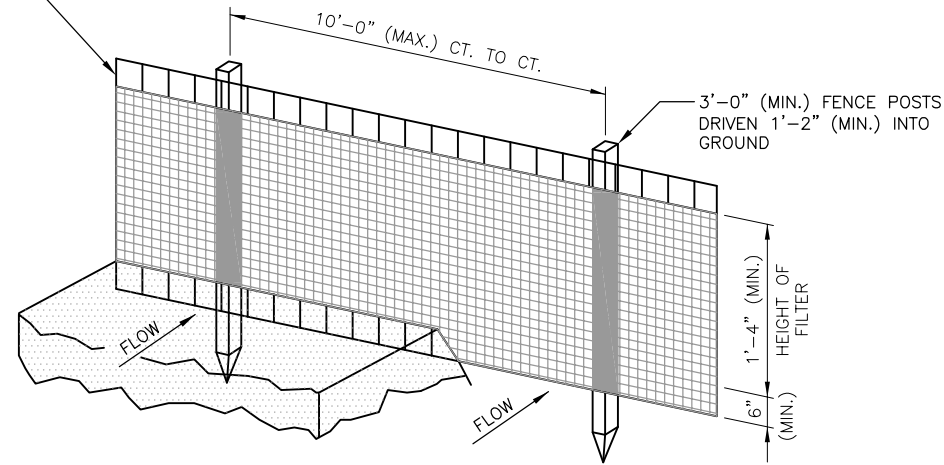
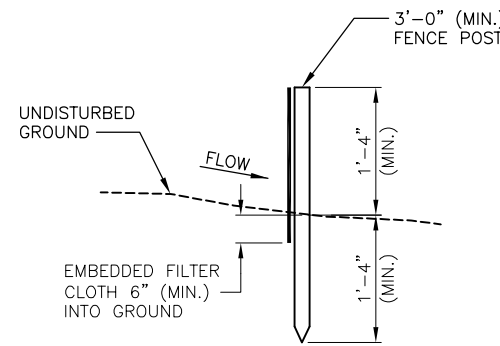


WOVEN WIRE FENCE (MIN. 14-1/2" GA. MIN., MAX. 6" MESH SPACING)
 POLYPROPYLENE REINFORCING MESH MAY BE USED IF INCORPORATED IN A PREFABRICATED UNIT.



PERSPECTIVE VIEW



SECTION

EROSION CONTROL FABRIC FENCE DETAILS

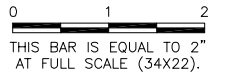
N.T.S.

NOTES

1. WOVEN WIRE FENCE TO BE FASTENED SECURELY TO FENCE POSTS WITH WIRE TIES OR STAPLES.
 2. FILTER CLOTH TO BE FASTENED SECURELY TO WOVEN WIRE FENCE WITH TIES SPACED EVERY 2'-0" AT TOP AND MID SECTION.
 3. WHEN TWO SECTIONS OF FILTER CLOTH ADJOIN EACH OTHER THEY SHALL BE OVERLAPPED BY 6" MINIMUM AND FOLDED.
 4. MAINTENANCE SHALL BE PERFORMED AS NEEDED AND MATERIAL REMOVED WHEN "BULGES" DEVELOP IN THE SILT FENCE. MAINTENANCE, WHICH INCLUDES THE REPLACEMENT OF DAMAGED FENCE SHALL BE CONSIDERED INCIDENTAL TO THE COST OF THE EROSION CONTROL FENCE.
- POSTS: STEEL EITHER T OR U TYPE OR 2" HARDWOOD.
 FENCE: WOVEN WIRE, 14-1/2" GA. 6" MAX. MESH OPENING
 POLYPROPYLENE MESH, IF INCORPORATED IN PREFAB UNIT.

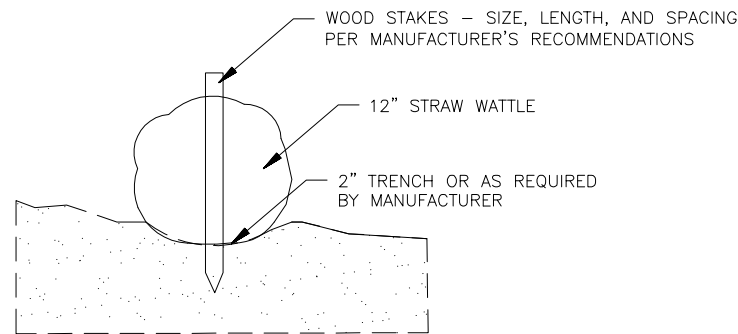
SP023

| REVISIONS | | |
|-----------|----|------|
| NUMBER | BY | DATE |
| | | |
| | | |
| | | |



SPARTA COMMUNITY AIRPORT
 HUNTER FIELD
 SPARTA, ILLINOIS

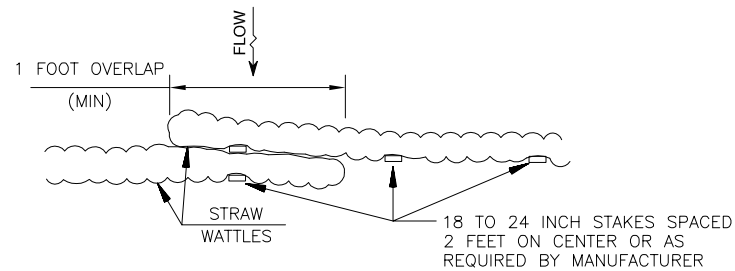
TAXIWAY EXTENSION
 EROSION CONTROL DETAILS 1



SECTION

MANUFACTURERS:

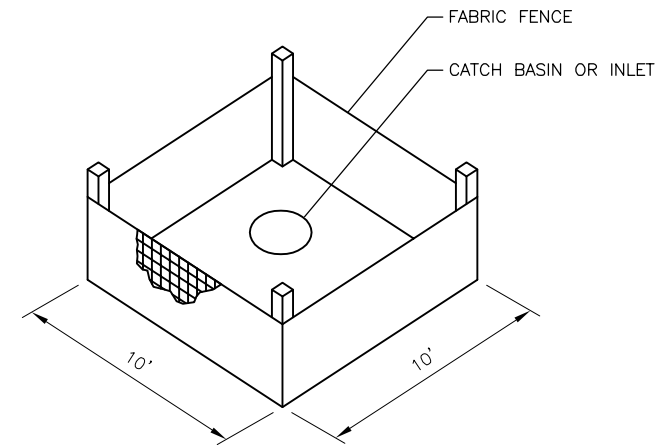
1. NORTH AMERICAN GREEN
2. WESTERN EXCELSIOR
3. APPROVED EQUAL



PLAN

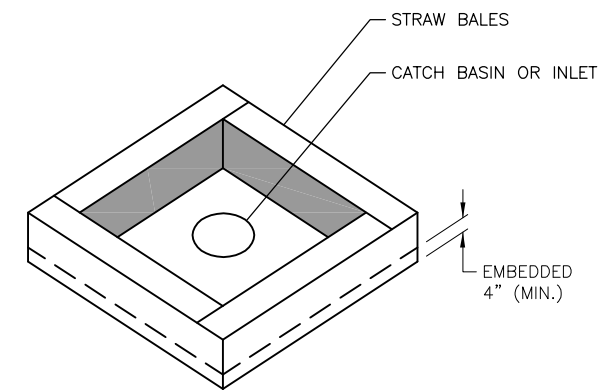
STRAW WATTLES

N.T.S.



INLET PROTECTION WITH FABRIC

N.T.S.



INLET PROTECTION WITH STRAW BALES

N.T.S.

© Copyright CMT, Inc.
CMT
 CRAWFORD, MURPHY & TILLY, INC.
 CONSULTING ENGINEERS
 License No. 184-000613

| | |
|--------------|-----------------|
| DESIGN BY: | CBG |
| DRAWN BY: | CMT |
| CHECKED BY: | CET |
| APPROVED BY: | CET |
| DATE: | MARCH 1, 2013 |
| JOB No: | 1241201 |
| IL PROJ. NO. | SAR-4224 |
| SBG NO. | 3-17-0094-B11 |
| SHEET | 21 OF 28 SHEETS |