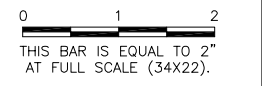


TA005

REVISIONS		
NUMBER	BY	DATE

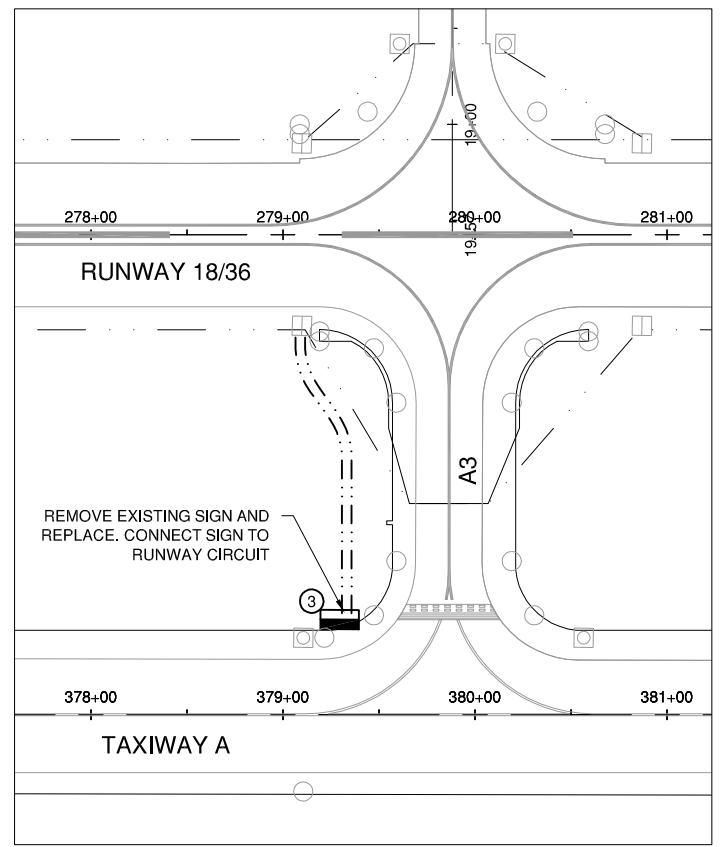
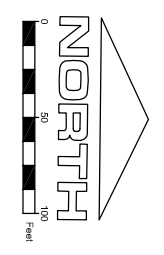
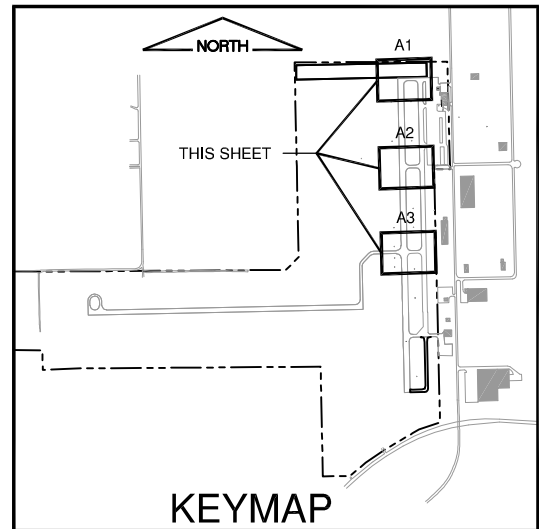


**TAYLORVILLE MUNICIPAL AIRPORT
 TAYLORVILLE AIRPORT
 TAYLORVILLE, ILLINOIS**

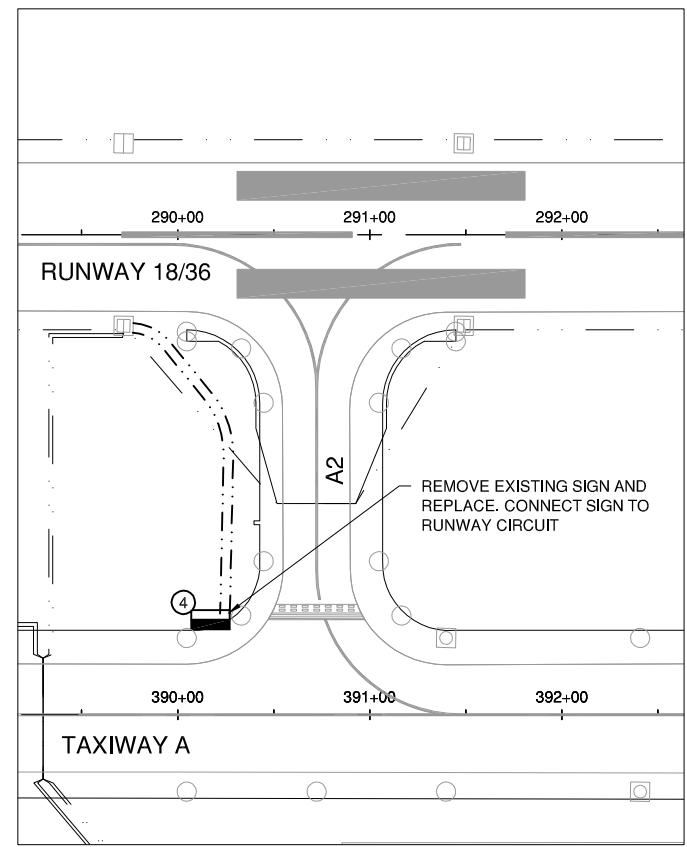
**TAXIWAY EXTENSION
 ELECTRICAL LAYOUT AND LIGHTING PLAN 2**

© Copyright GMT, Inc.
GMT
 CRAWFORD, MURPHY & TILLY, INC.
 CONSULTING ENGINEERS
 License No. 184-000613

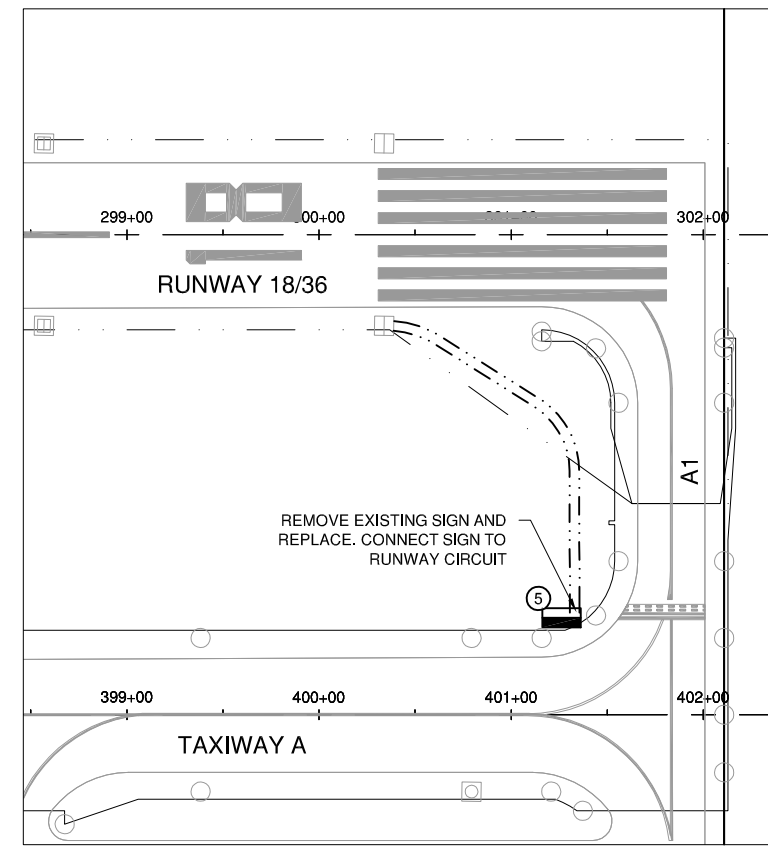
DESIGN BY:	CBG
DRAWN BY:	CMT
CHECKED BY:	CET
APPROVED BY:	CET
DATE:	MARCH 13, 2013
JOB No:	11050-01
IL. PROJ. NO. TAZ-4096 SBG NO. 3-17-0100-B13	
SHEET 12 OF 25 SHEETS	



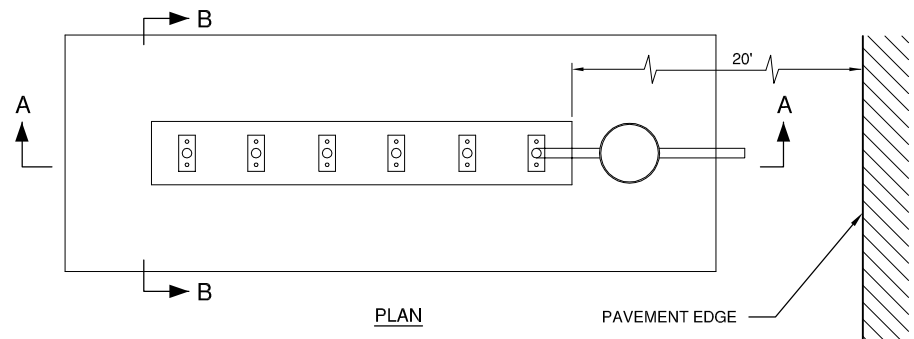
TAXIWAY A3 CONNECTOR
SCALE: 1" = 50'



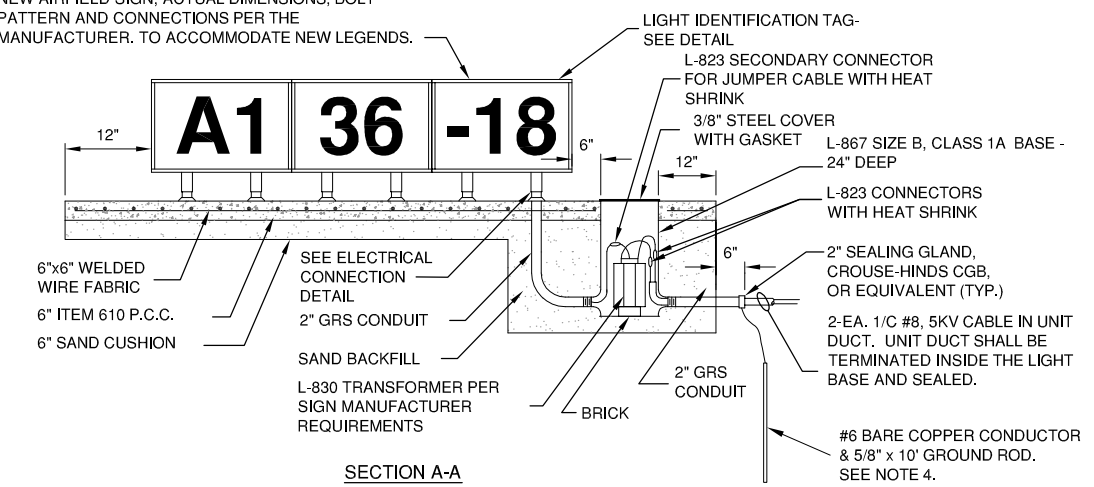
TAXIWAY A2 CONNECTOR
SCALE: 1" = 50'



TAXIWAY A1 CONNECTOR
SCALE: 1" = 50'



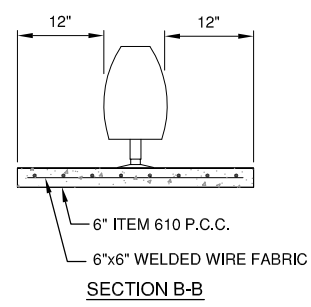
NEW AIRFIELD SIGN, ACTUAL DIMENSIONS, BOLT PATTERN AND CONNECTIONS PER THE MANUFACTURER. TO ACCOMMODATE NEW LEGENDS.



L-858 AIRFIELD SIGN DETAILS
N.T.S.

NOTES

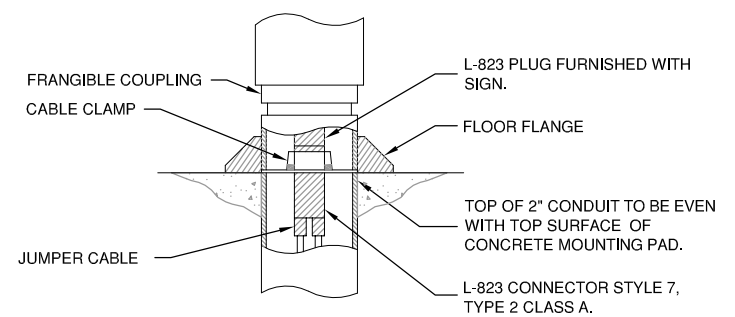
1. TRANSFORMER WATTAGE SHALL BE AS REQUIRED BY SIGN MANUFACTURER.
2. SIGN LEGEND SHALL BE AS SHOWN IN THE PLANS.
3. SIGNS SHALL BE SIZE 1, STYLE 2 OR 3, CLASS 2.
4. SEE "NEW BASE MOUNTED EDGE LIGHT" DETAIL FOR GROUNDING DETAILS.



SECTION B-B

LEGEND

- NEW STAKE MOUNTED TAXIWAY LIGHT
- ⊙ NEW BASE MOUNTED TAXIWAY LIGHT
- ▭ NEW TAXIWAY GUIDANCE SIGN
- NEW TAXIWAY CIRCUIT
- - - EXISTING TAXIWAY CIRCUIT
- NEW RUNWAY CIRCUIT
- - - EXISTING RUNWAY CIRCUIT
- ▬ NEW DUCT BANK



ELECTRICAL CONNECTION DETAIL
N.T.S.

K:\projects\1105001\Draw Sheets