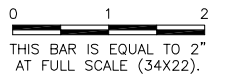


TA005

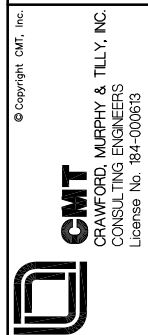
REVISIONS		
NUMBER	BY	DATE



**TAYLORVILLE MUNICIPAL AIRPORT
 TAYLORVILLE AIRPORT
 TAYLORVILLE, ILLINOIS**

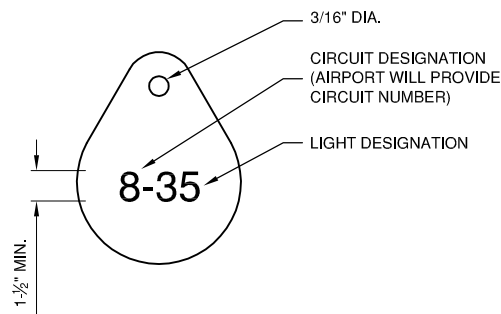
**TAXIWAY EXTENSION
 ELECTRICAL DETAILS 2**

© Copyright CMT, Inc.



DESIGN BY:	CBG
DRAWN BY:	CMT
CHECKED BY:	CET
APPROVED BY:	CET
DATE:	MARCH 13, 2013
JOB No:	11050-01

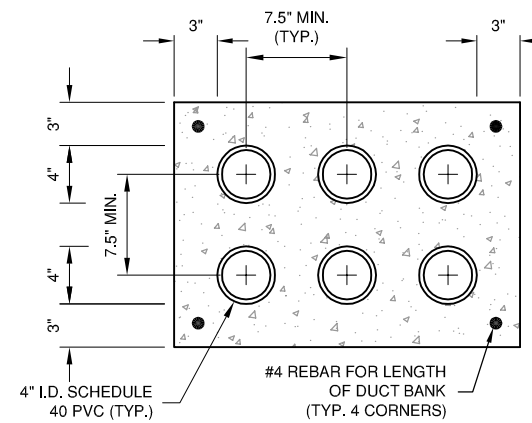
IL. PROJ. NO. TAZ-4096
 SBG NO. 3-17-0100-B13



LIGHT IDENTIFICATION DETAIL
 N.T.S.

NOTES

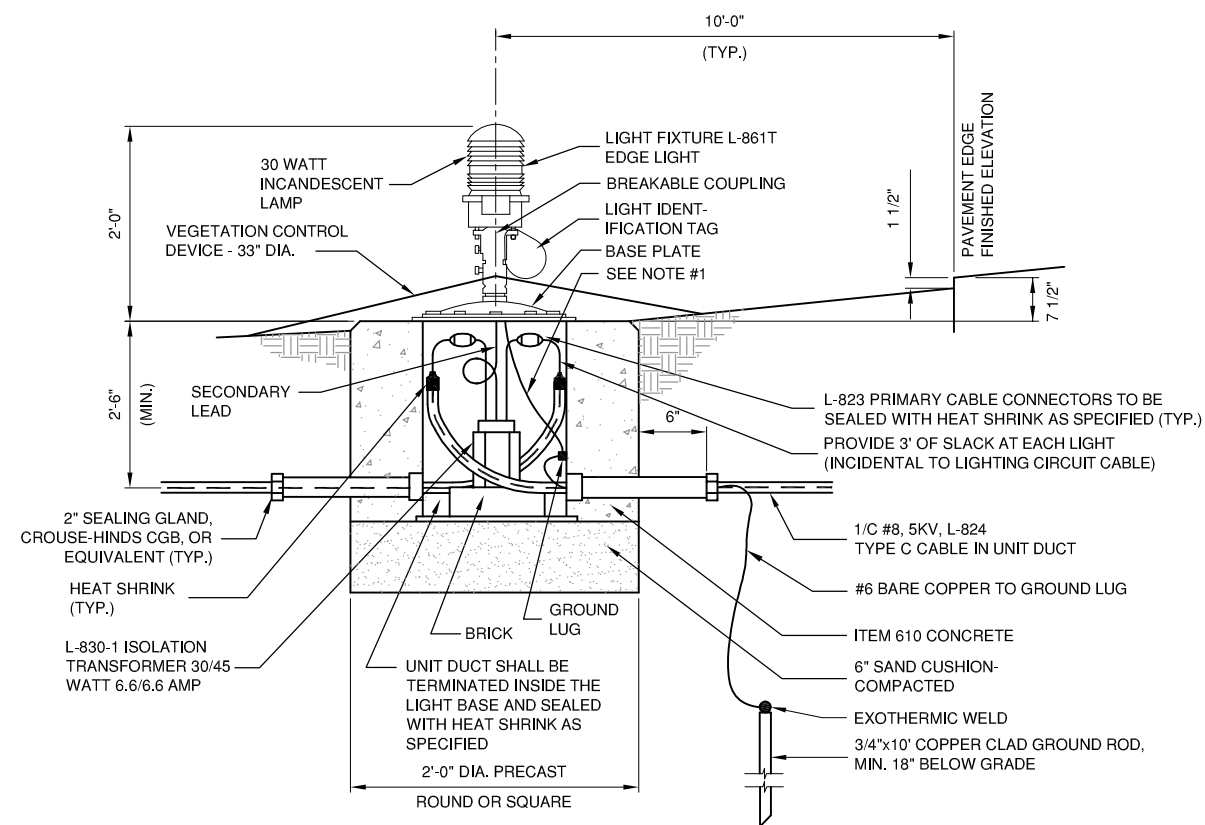
1. INSTALL A NONCORROSIVE DISC OF 2" MINIMUM DIAMETER WITH THE NUMBER PERMANENTLY STAMPED, CUT OUT, OR ENGRAVED UNDER THE HEAD OF THE BASE PLATE BOLT OR ATTACHED TO LIGHT FLANGE WITH SET SCREW.
2. LEGENDS SHOWN ARE FOR ILLUSTRATIVE PURPOSES ONLY. CONTRACTOR TO COORDINATE LEGEND WITH AIRPORT.
3. THE CONTRACTOR SHALL NUMBER THE PROPOSED LIGHTS IN EACH CIRCUIT STARTING AT THE HOMERUN CONTINUING AROUND THE ENTIRE CIRCUIT BACK TO THE HOMERUN.
4. AIRFIELD SIGNS SHALL BE TAGGED & NUMBERED.



DUCT BANK DETAIL
 N.T.S.

NOTES

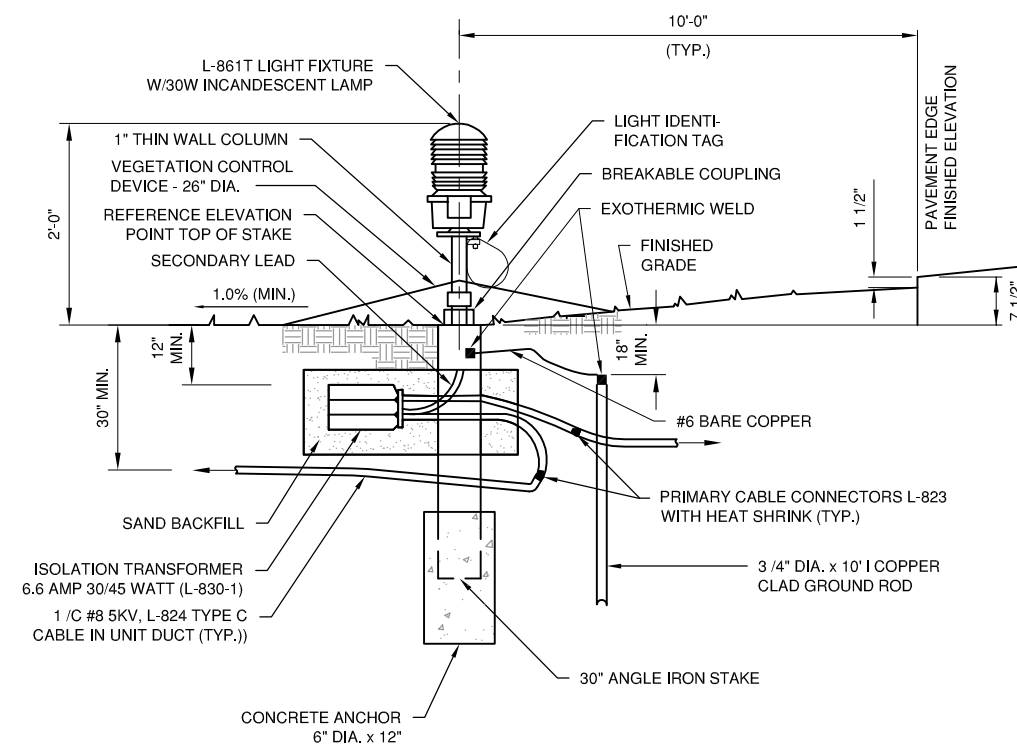
1. DIMENSIONS SHOWN ARE MINIMUM.
2. TOP OF CONCRETE ENCASEMENT TO BE NOT LESS THAN 18" BELOW FINISHED SUBGRADE.
3. DUCT CONCRETE SHALL BE ITEM 610 STRUCTURAL P.C.C. CONCRETE.
4. ALL DUCT SHALL BE 4" INSIDE DIAMETER.
5. LOCATIONS SHOWN ARE APPROXIMATE. DUCT BANKS SHALL BE INSTALLED AT LOCATIONS DESIGNATED BY THE ENGINEER.
6. CONTRACTOR SHALL INSTALL DUCT BANKS AT A DEPTH WHICH WILL NOT CONFLICT WITH ELEVATION SENSITIVE UTILITIES.
7. A PULL WIRE SHALL BE PROVIDED IN EACH UNUSED CONDUIT. UNUSED DUCT SHALL BE SEALED WITH PVC PLUGS/CAPS TO THE SATISFACTION OF THE ENGINEER.
8. DUCT BANKS SHALL EXTEND A MINIMUM OF 5' BEYOND THE NEW EDGE OF PAVEMENT.



BASE MOUNTED EDGE LIGHTS
 N.T.S.

NOTES

1. THE LIGHT FIXTURE SHALL BE BONDED TO THE LIGHT BASE INTERNAL GROUND LUG VIA A #6 AWG STRANDED COPPER WIRE RATED FOR 600 VOLTS WITH GREEN XHHW INSULATION. THE GROUND WIRE LENGTH SHALL BE SUFFICIENT TO ALLOW THE REMOVAL OF THE LIGHT FIXTURE FROM THE LIGHT BASE FOR ROUTINE MAINTENANCE. SEE THE LIGHT FIXTURE MANUFACTURER'S INSTRUCTIONS FOR PROPER METHODS OF ATTACHING THIS BONDING WIRE.



STAKE MOUNTED MEDIUM INTENSITY LIGHTS
 N.T.S.