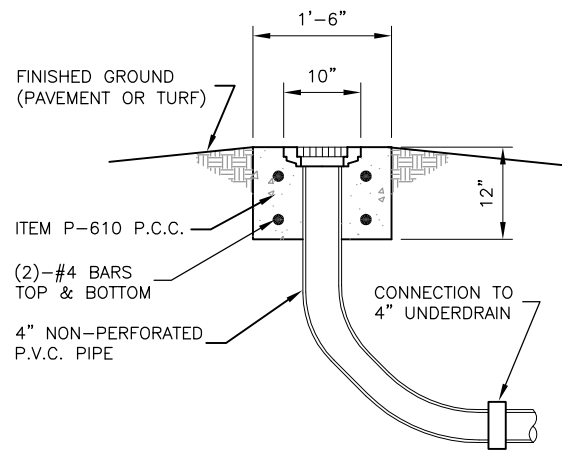
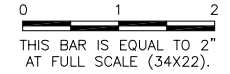
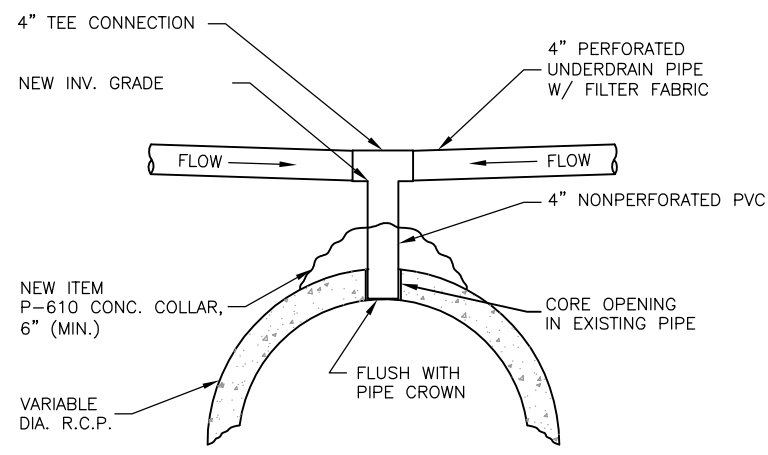
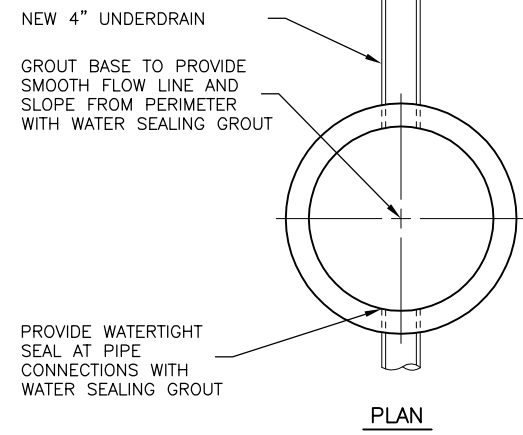


**TA005**

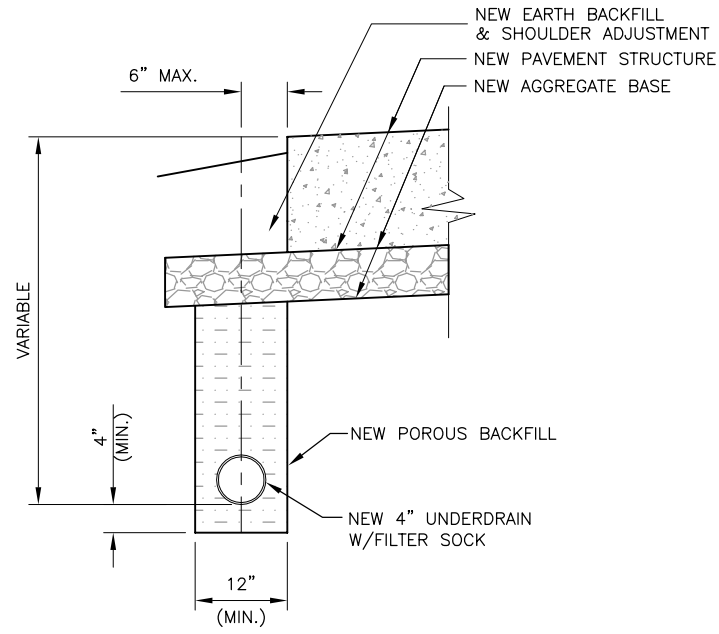
REVISIONS		
NUMBER	BY	DATE



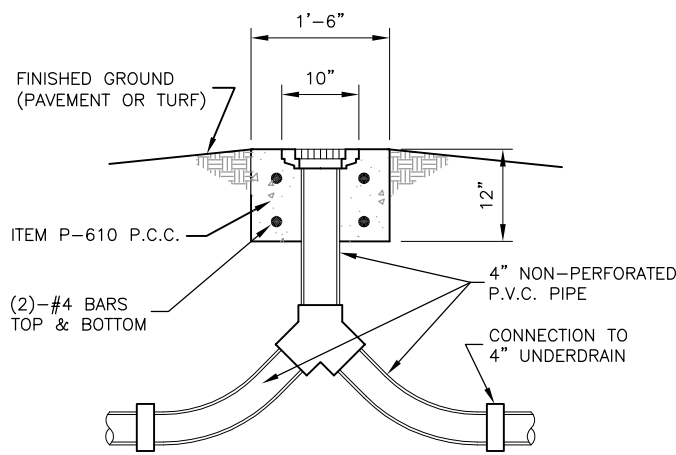
**UNDERDRAIN CLEAN-OUT DETAIL - TYPE 1**  
 N.T.S.



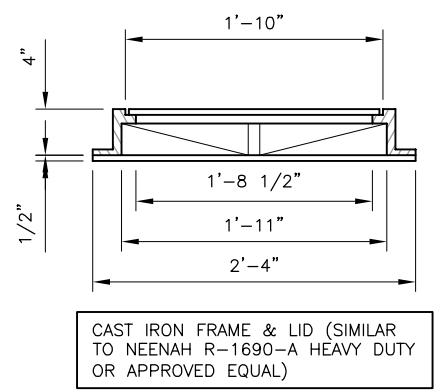
**UNDERDRAIN DIRECT TOP CONNECTION DETAIL**  
 N.T.S.



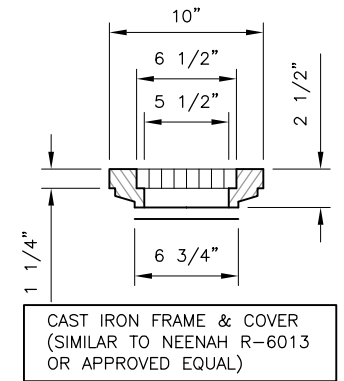
**TYPICAL UNDERDRAIN DETAIL PAVEMENT EDGE**  
 N.T.S.



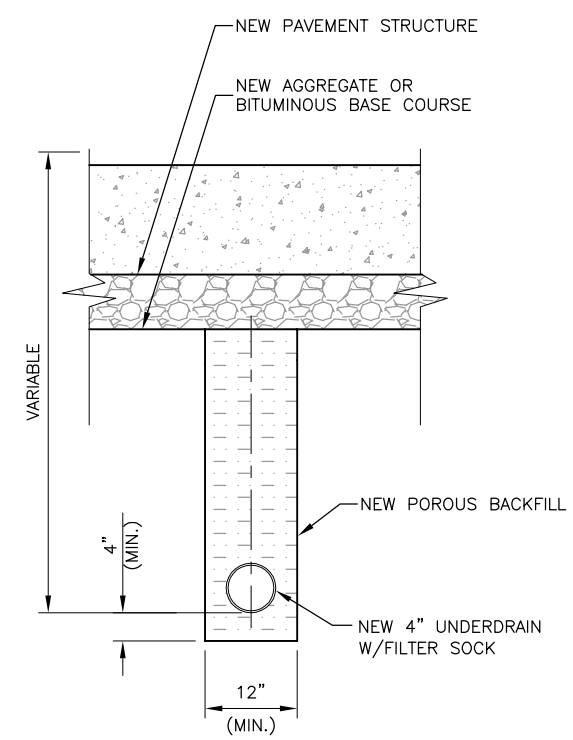
**UNDERDRAIN CLEAN-OUT DETAIL - TYPE 2**  
 N.T.S.



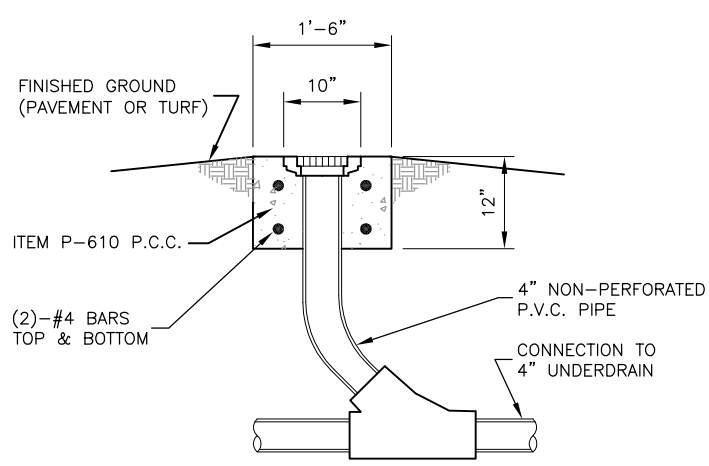
**FRAME AND LID**



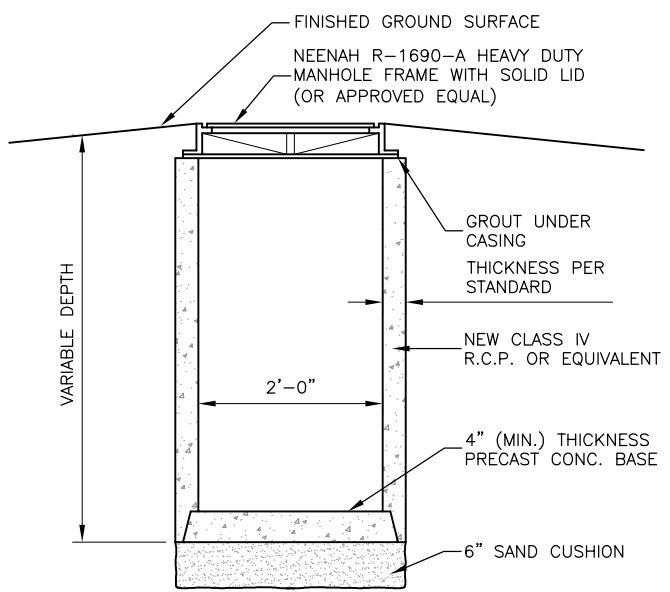
**FRAME AND COVER**



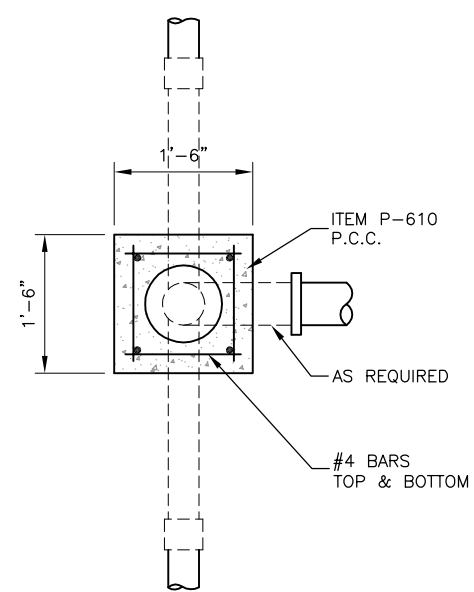
**TYPICAL UNDERDRAIN DETAIL BELOW PAVEMENT**  
 N.T.S.



**UNDERDRAIN CLEAN-OUT DETAIL - TYPE 3**  
 N.T.S.



**UNDERDRAIN COLLECTION STRUCTURE DETAIL**  
 N.T.S.



**UNDERDRAIN CLEAN-OUT DETAILS**  
 N.T.S.

**NOTES**

DURING UNDERDRAIN CONSTRUCTION, CARE SHALL BE TAKEN TO ENSURE GOOD DRAINAGE BETWEEN THE SUB-BASE AND THE POROUS BACKFILL MATERIAL WHICH WILL AFFECT DRAINAGE TO THE UNDERDRAIN SHALL BE REMOVED PRIOR TO THE PLACEMENT OF PROPOSED POROUS BACKFILL. ALL COST FOR THIS WORK SHALL BE CONSIDERED INCIDENTAL.

**TAYLORVILLE MUNICIPAL AIRPORT  
 TAYLORVILLE AIRPORT  
 TAYLORVILLE, ILLINOIS**

**TAXIWAY EXTENSION  
 UNDERDRAIN DETAIL SHEET**

© Copyright CMT, Inc.

**CMT**  
 CRAWFORD, MURPHY & TILLY, INC.  
 CONSULTING ENGINEERS  
 License No. 184-000613

DESIGN BY:	CBG
DRAWN BY:	CMT
CHECKED BY:	CET
APPROVED BY:	CET
DATE:	MARCH 13, 2013
JOB No:	11050-01
IL PROJ. NO.	TAZ-4096
SBG NO.	3-17-0100-B13
SHEET	17 OF 25 SHEETS

K:\projects\taz\1105001\Draw Sheets