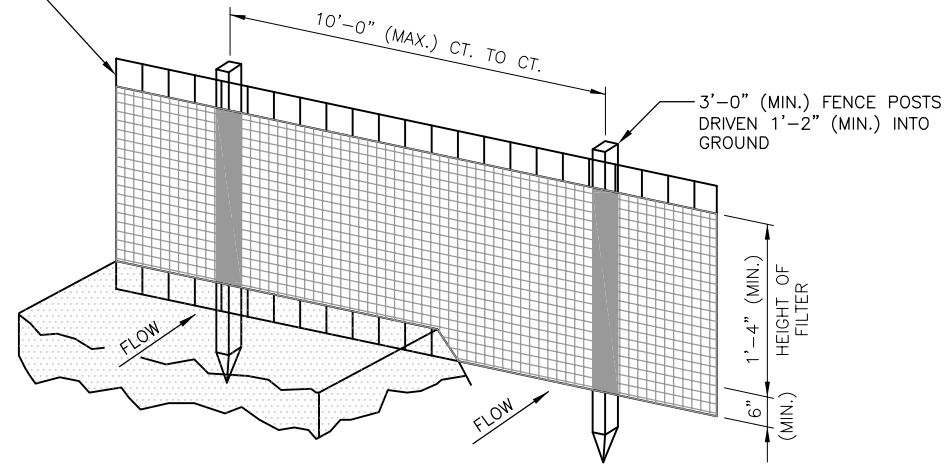
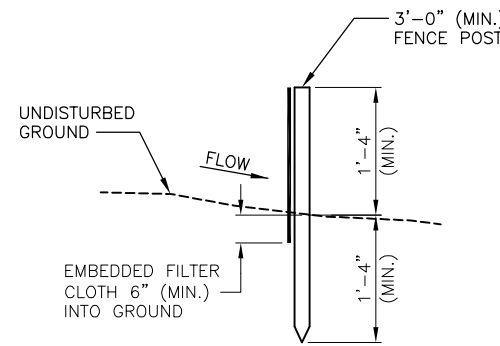


WOVEN WIRE FENCE (MIN. 14-1/2" GA. MIN., MAX. 6" MESH SPACING)
 POLYPROPYLENE REINFORCING MESH MAY BE USED IF INCORPORATED IN A PREFABRICATED UNIT.



PERSPECTIVE VIEW



SECTION

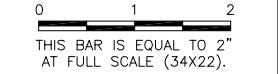
EROSION CONTROL FABRIC FENCE DETAILS
 N.T.S.

NOTES

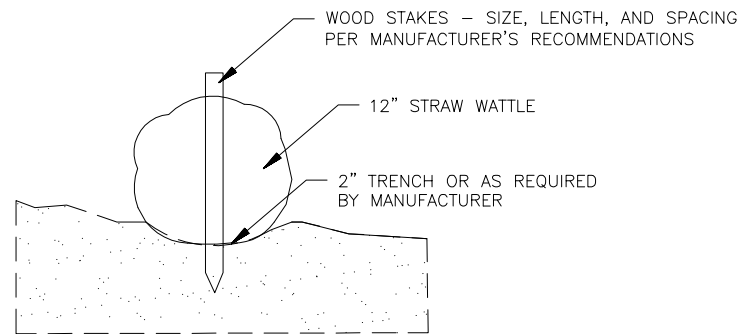
1. WOVEN WIRE FENCE TO BE FASTENED SECURELY TO FENCE POSTS WITH WIRE TIES OR STAPLES.
 2. FILTER CLOTH TO BE FASTENED SECURELY TO WOVEN WIRE FENCE WITH TIES SPACED EVERY 2'-0" AT TOP AND MID SECTION.
 3. WHEN TWO SECTIONS OF FILTER CLOTH ADJOIN EACH OTHER THEY SHALL BE OVERLAPPED BY 6" MINIMUM AND FOLDED.
 4. MAINTENANCE SHALL BE PERFORMED AS NEEDED AND MATERIAL REMOVED WHEN "BULGES" DEVELOP IN THE SILT FENCE. MAINTENANCE, WHICH INCLUDES THE REPLACEMENT OF DAMAGED FENCE SHALL BE CONSIDERED INCIDENTAL TO THE COST OF THE EROSION CONTROL FENCE.
- POSTS: STEEL EITHER T OR U TYPE OR 2" HARDWOOD.
 FENCE: WOVEN WIRE, 14-1/2" GA. 6" MAX. MESH OPENING POLYPROPYLENE MESH, IF INCORPORATED IN PREFAB UNIT.

TA005

REVISIONS		
NUMBER	BY	DATE



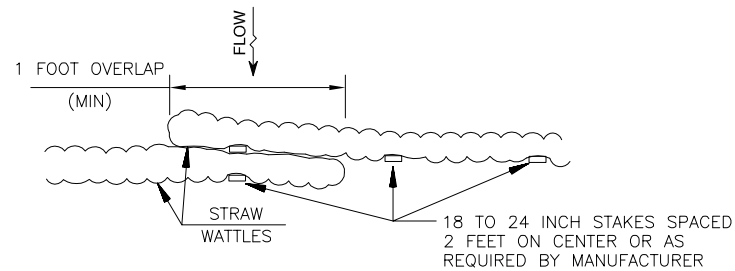
TAYLORVILLE MUNICIPAL AIRPORT
TAYLORVILLE AIRPORT
TAYLORVILLE, ILLINOIS
TAXIWAY EXTENSION
EROSION CONTROL DETAILS



SECTION

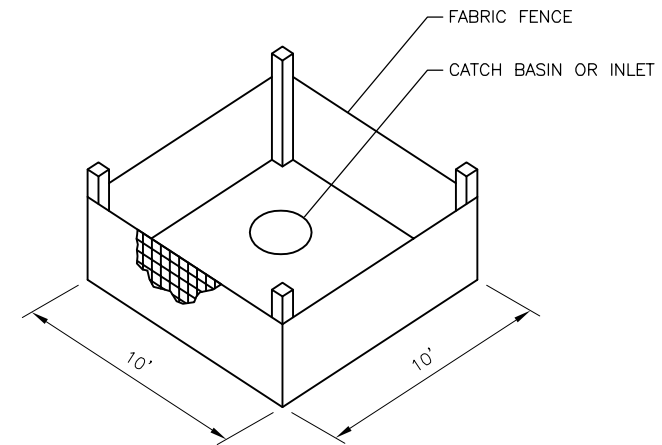
MANUFACTURERS:

1. NORTH AMERICAN GREEN
2. WESTERN EXCELSIOR
3. APPROVED EQUAL

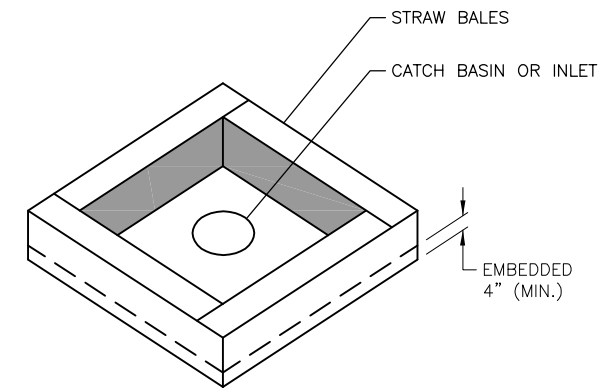


PLAN

STRAW WATTLES
 N.T.S.



INLET PROTECTION WITH FABRIC
 N.T.S.



INLET PROTECTION WITH STRAW BALES
 N.T.S.

© Copyright CMT, Inc.
CMT
 CRAWFORD, MURPHY & TILLY, INC.
 CONSULTING ENGINEERS
 License No. 184-000613

DESIGN BY:	CBG
DRAWN BY:	CMT
CHECKED BY:	CET
APPROVED BY:	CET
DATE:	MARCH 13, 2013
JOB No:	11050-01
IL PROJ. NO.	TAZ-4096
SBG NO.	3-17-0100-B13
SHEET	20 OF 25 SHEETS