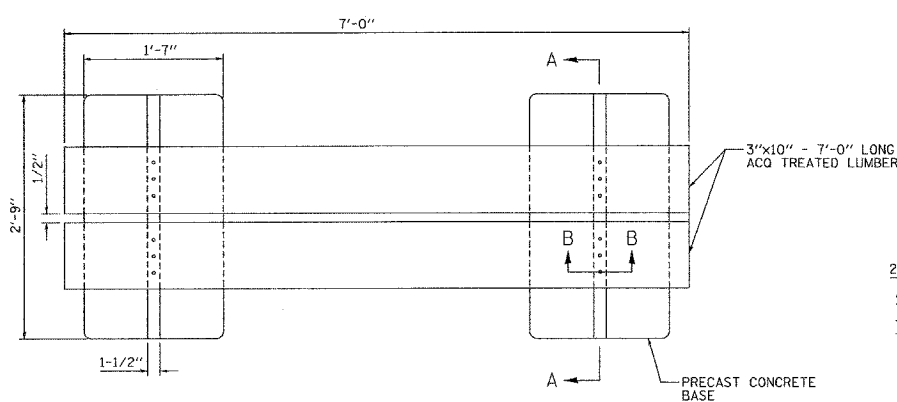
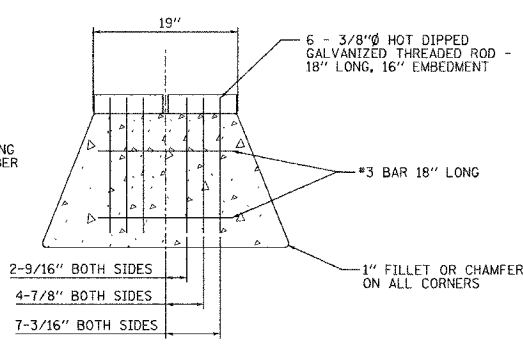


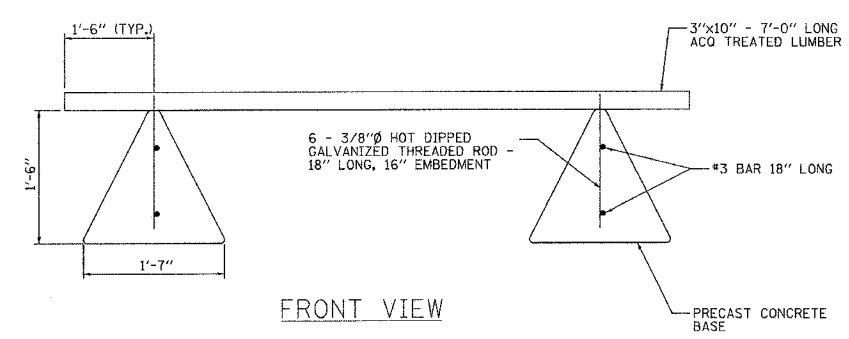
F.A. RTE.	SECTION	COUNTY	TOTAL SHEETS	SHEET NO.
		ST. CLAIR	18	12
STA.		TO STA.		
FED. ROAD DIST. NO.		ILLINOIS FED. AID PROJECT		
CONTRACT NO. 449 66				



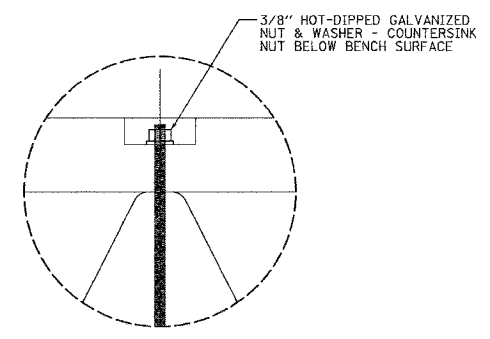
TOP VIEW



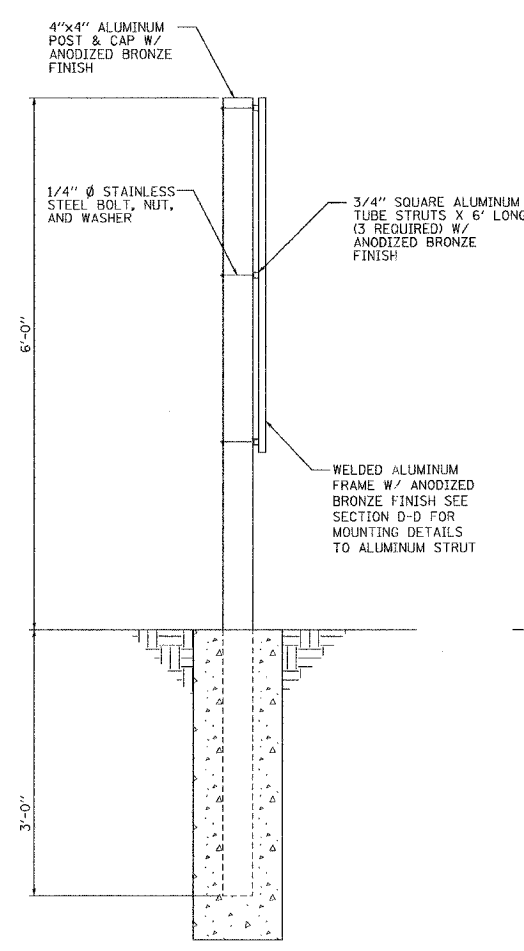
SECTION A-A



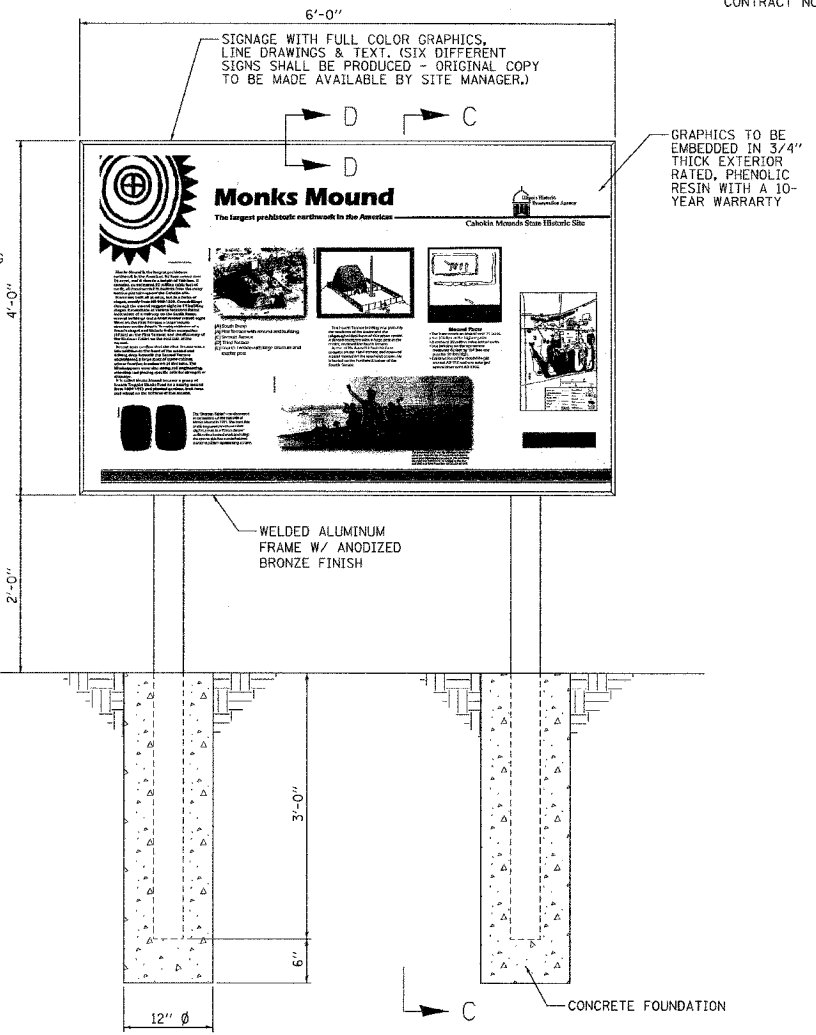
FRONT VIEW



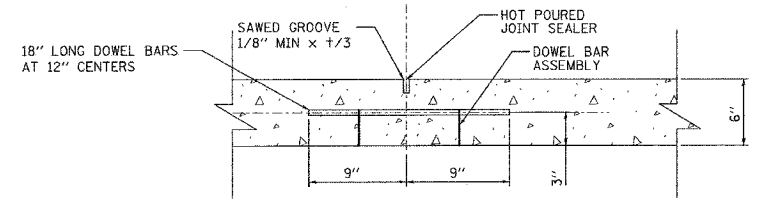
SECTION B-B



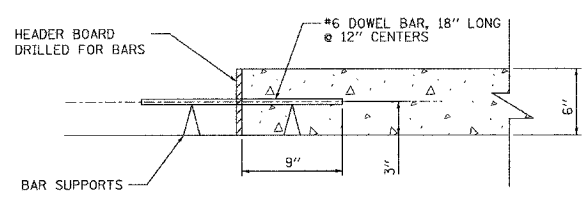
SECTION C-C



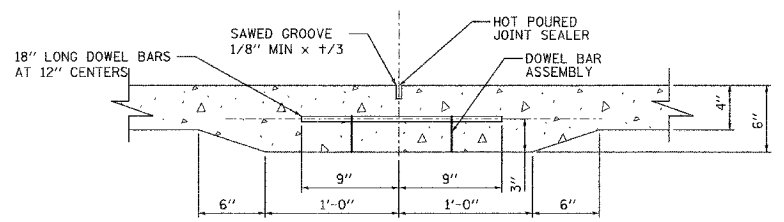
SIGN PANEL DETAIL



TRANSVERSE CONTRACTION JOINT - 6" P.C.C. PATHWAY
SCALE: 1-1/2"=1'-0"

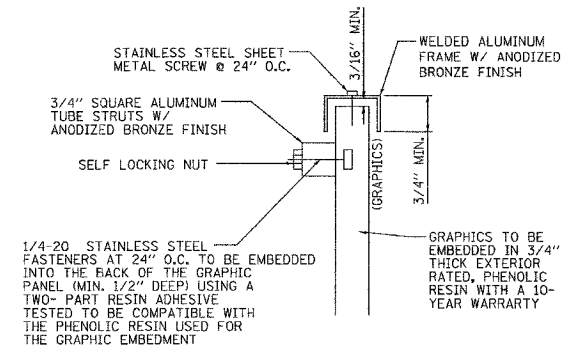


TRANSVERSE CONSTRUCTION JOINT - 6" P.C.C. PATHWAY
SCALE: 1-1/2"=1'-0"

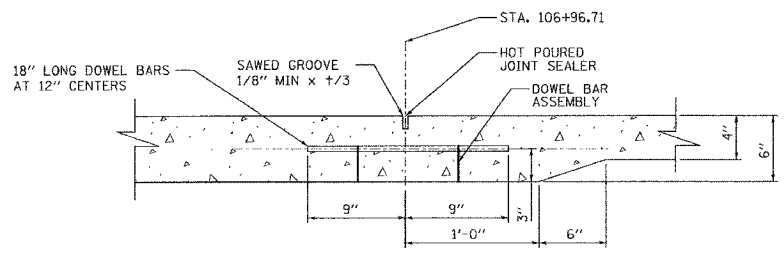


THICKENED SLAB/CONSTRUCTION JOINT
SCALE: 1-1/2"=1'-0"

NOTE:
THICKENED SLAB/CONSTRUCTION JOINTS TO BE PLACED AT THE FOLLOWING STATIONS:
128+75
129+75
130+75
131+75
132+75
133+75
134+75



SECTION D-D
SCALE: 6"=1'-0"



PATHWAY TRANSITION
SCALE: 1-1/2"=1'-0"

REVISIONS	
NAME	DATE

ILLINOIS DEPARTMENT OF TRANSPORTATION
DETAILS
IDNR / IHPA STATEWIDE
SIDEWALK IMPROVEMENTS
CAHOKIA MOUNDS STATE
HISTORIC SITE

SCALE: SEE DETAILS
DATE: 2-26-07
DRAWN BY: EJR
CHECKED BY: GWV

DISTRICT PROJECT ENGINEER - LANDE KIDD

DATE PLOTTED: 2/27/2007 10:33:02 AM