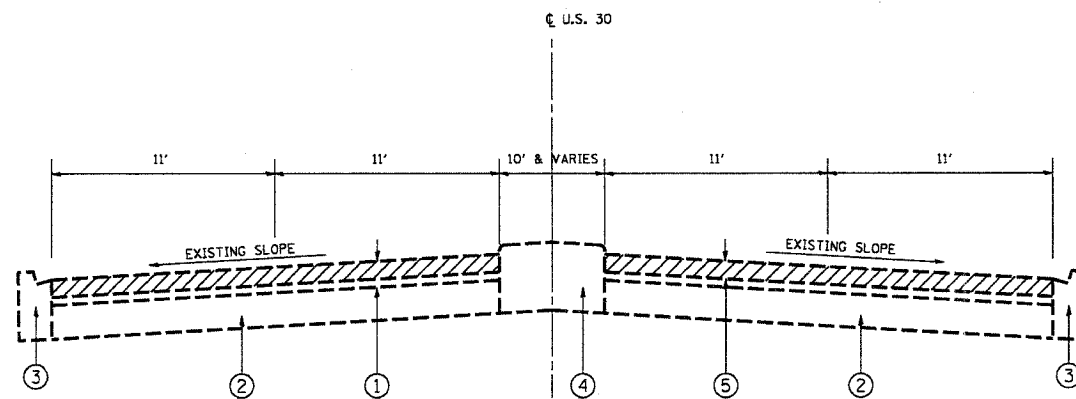


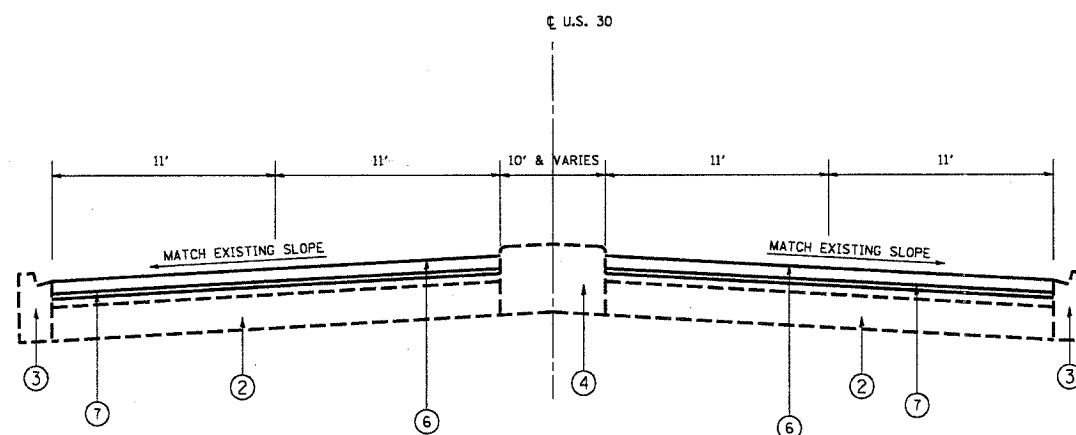
F.A.P. RTE. 1	SECTION	COUNTY	TOTAL SHEETS	SHEET NO.
353	42 RS	COOK	31	7
STA.		TO STA.		
FED. ROAD DIST. NO. 1		ILLINOIS FED. AID PROJECT		
CONTRACT NO. 60A86				



EXISTING TYPICAL SECTION
U.S. 30 (LINCOLN HWY).
STATION
472+75 TO 473+45

LEGEND

- ① EXISTING HOT-MIX ASPHALT SURFACE COURSE, 3"(\pm)
- ② EXISTING PCC BASE COURSE, 10"(\pm)
- ③ EXISTING COMBINATION CONC. CURB & GUTTER TYPE B.24
- ④ EXISTING CORRUGATED MEDIAN
- ⑤ HOT-MIX ASPHALT SURFACE REMOVAL - 2 1/2 "
- ⑥ PROPOSED POLYMERIZED HOT-MIX ASPHALT SURFACE COURSE, MIX "F", N90, 1 3/4 "
- ⑦ PROPOSED POLYMERIZED LEVELING BINDER (MM), IL-4.75, N50, 3/4 "



PROPOSED TYPICAL SECTION
U.S. 30 (LINCOLN HWY).
STATION
472+75 TO 473+45

REVISIONS	
NAME	DATE

ILLINOIS DEPARTMENT OF TRANSPORTATION

U.S. 30
EXISTING AND PROPOSED
TYPICAL SECTIONS

SCALE: VERT. DATE
HORIZ. CHECKED BY
DRAWN BY

PLOT DATE: 12/28/2006
FILE NAME: c:\puro\puro\111806\design_ae.dgn
PLOT SCALE: 1/8" = 1'-0"
USER NAME: qureshya