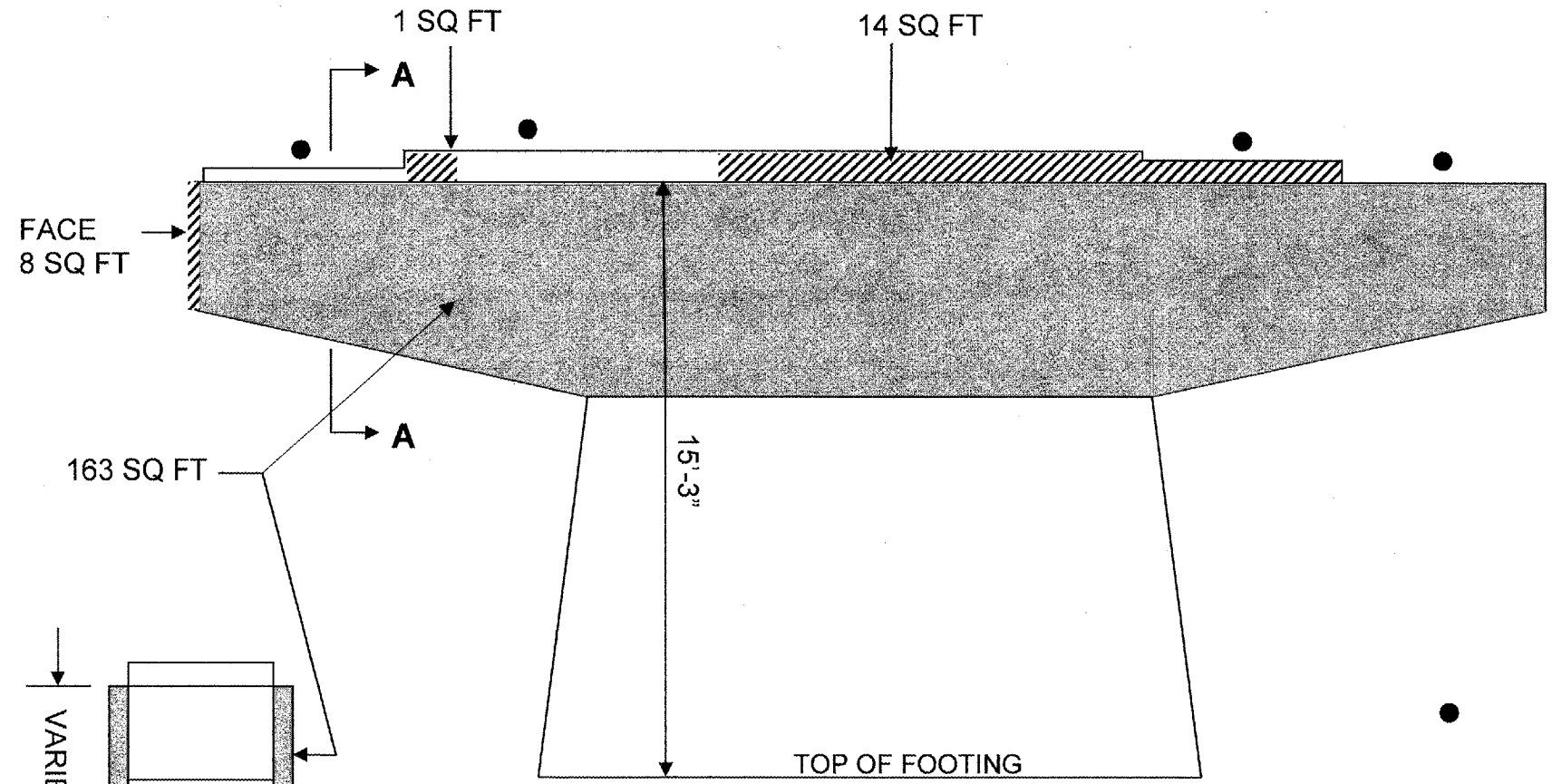


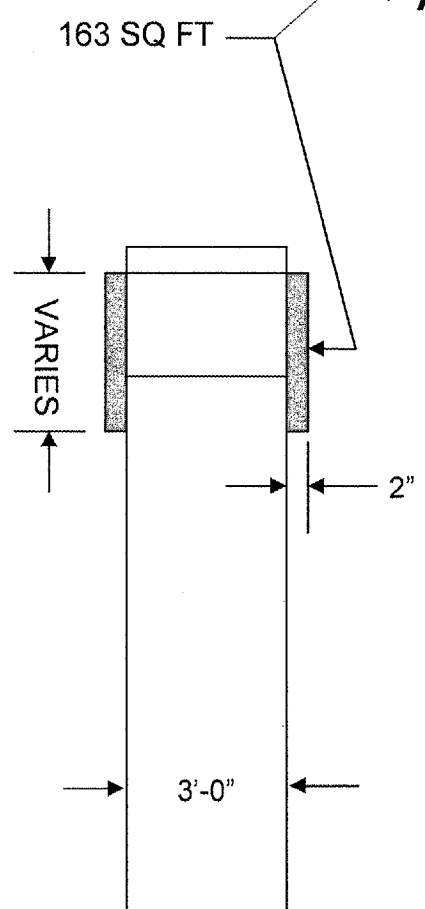
ROUTE	SECTION	COUNTY	TOTAL SHEETS	SHEET NUMBER
FAI 80	99-4HB-1-I-1	WILL	12	6

CONTRACT NO: 60B24  
SHEET 2 OF 8



**BEAM REACTIONS TABLE**

	SPAN 2	SPAN 3
R <sub>DL</sub>	47.7K	21.7K
R <sub>LL</sub>	37.0K	32.1K
R <sub>IMP</sub>	9.0K	9.6K
R <sub>TOTAL</sub>	93.7K	63.4K



**SEC A-A**

**EAST PIER WEST FACE  
(LOOKING EAST)**

- TEMPORARY SHORING & CRIBBING
- STRUCTURAL REPAIR OF CONCRETE, DEPTH ≤ 5" (SPECIAL) SEE SPECIAL PROVISIONS
- ▨ STRUCTURAL REPAIR OF CONCRETE, DEPTH ≤ 5"

**BILL OF MATERIAL  
(EAST PIER)**

PAY ITEM	EAST FACE	WEST FACE	TOTAL
TEMPORARY SHORING & CRIBBING	4	4	8 EA
STRUCTURAL REPAIR OF CONCRETE (DEPTH ≤ 5")	12	23	35 SQ FT
STRUCTURAL REPAIR OF CONCRETE (DEPTH ≤ 5") (SPECIAL)	40	163	203 SQ FT

SHEET 2 OF 2

ILLINOIS DEPARTMENT OF TRANSPORTATION

**EAST PIER  
EB I-80 OVER RICHARD ST  
SN 099-0064**