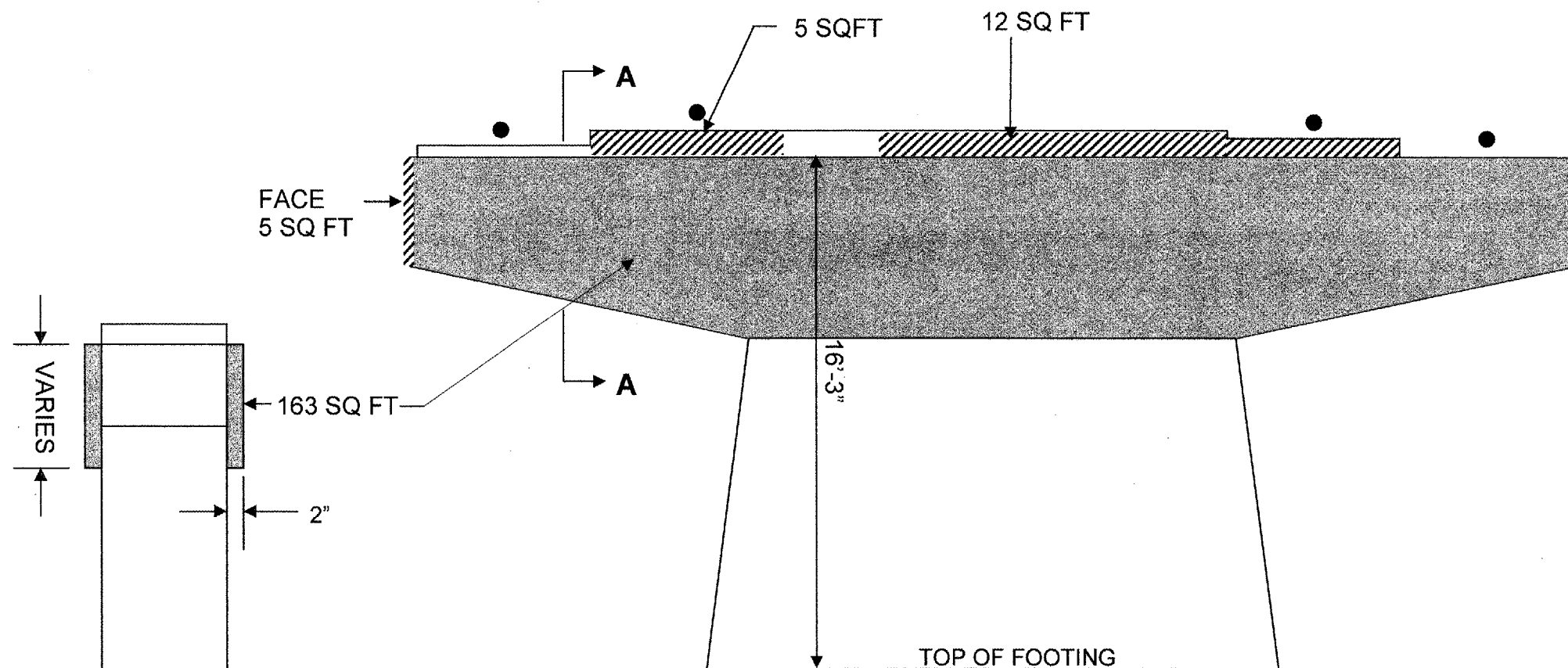


ROUTE	SECTION	COUNTY	TOTAL SHEETS	SHEET NUMBER
FAI 80	99-4HB-1-I-1	WILL	12	12

CONTRACT NO: 60B24

SHEET 8 OF 8



BEAM REACTIONS TABLE

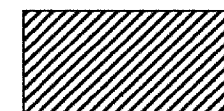
	SPAN 1	SPAN 2
R _{DL}	21.1K	47.7K
R _{LL}	31.9K	37.0K
R _{IMP}	9.6K	9.0K
R _{TOTAL}	62.6K	93.7K

**WEST PIER WEST FACE
(LOOKING EAST)**

● TEMPORARY SHORING & CRIBBING



STRUCTURAL REPAIR OF CONCRETE, DEPTH ≤ 5" (SPECIAL)
SEE SPECIAL PROVISIONS



STRUCTURAL REPAIR OF CONCRETE, DEPTH ≤ 5"

**BILL OF MATERIAL
(WEST PIER)**

PAY ITEM	EAST FACE	WEST FACE	TOTAL
TEMPORARY SHORING & CRIBBING	4	4	8
STRUCTURAL REPAIR OF CONCRETE (DEPTH ≤ 5")	10	22	32
STRUCTURAL REPAIR OF CONCRETE (DEPTH ≤ 5") (SPECIAL)	80	163	243

SHEET 2 OF 2

ILLINOIS DEPARTMENT OF TRANSPORTATION

**WEST PIER
WB I-80 OVER RICHARD ST
SN 099-0065**