

ROUTE	SECTION	COUNTY	TOTAL SHEETS	SHEET NUMBER
FAI 80	99-4HB-1-I-1	WILL	12	1

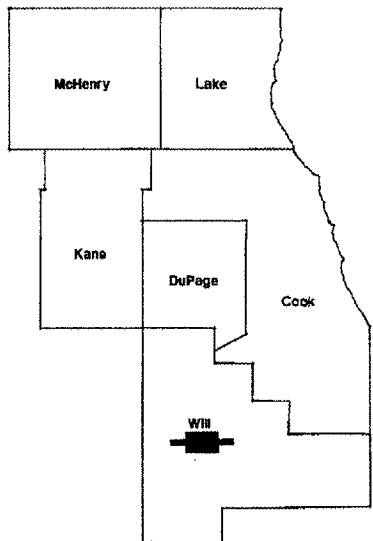
FOR INDEX OF SHEETS SEE SHEET 2

CONTRACT NO: 60B24

IMPROVEMENT IS LOCATED IN THE JOLIET TOWNSHIP

STATE OF ILLINOIS
DEPARTMENT OF
TRANSPORTATION
DIVISION OF HIGHWAYS
DISTRICT ONE
PROPOSED HIGHWAY PLANS

D-91-314-06



LOCATION OF IMPROVEMENT

SN 099-0064
I-80 EB OVER RICHARD ST

SN 099-0065
I-80 WB OVER RICHARD ST

FAI ROUTE 80: I-80
OVER RICHARD ST
SECTION 99-4HB-1-I-1
BRIDGE REPAIR
WILL COUNTY
C-91-314-06

LOCATION OF IMPROVEMENT INDICATED THUS:

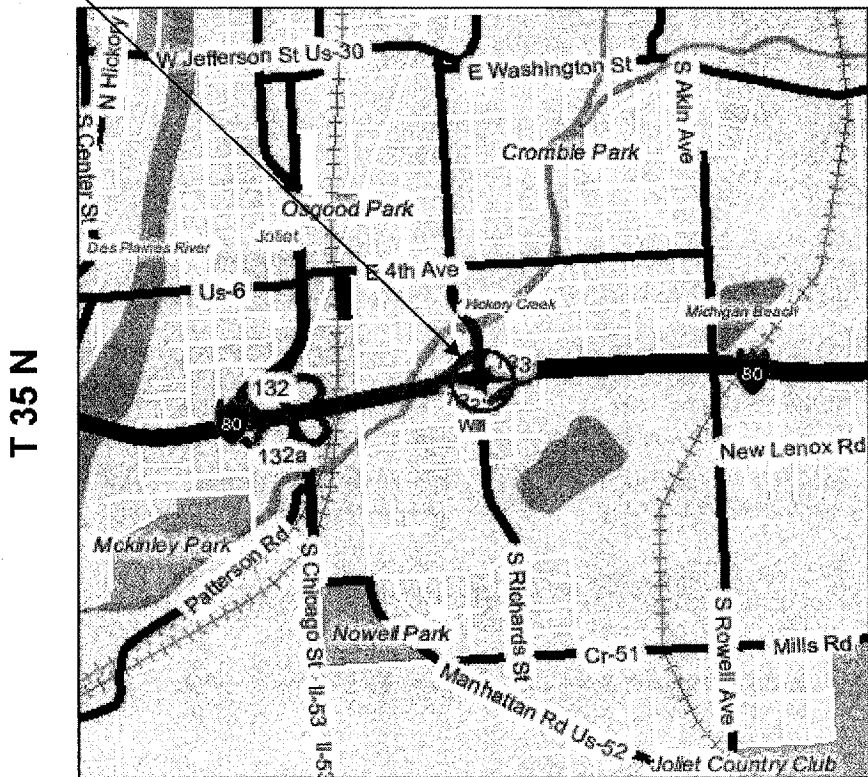
TRAFFIC DATA

I-80 : 94000 (2005 ADT)
RICHARD ST.: 9600 (2004 ADT)

POSTED SPEED LIMIT

I-80 : 55 MPH
RICHARD ST.: 35 MPH

R 10 E



T 35 N

JOLIET TOWNSHIP

CONTRACT NO. 60B24

STATE OF ILLINOIS
DEPARTMENT OF TRANSPORTATION
DIVISION OF HIGHWAYS

SUBMITTED: 3/29 2007

Diane O'Keefe
DEPUTY DIRECTOR OF HIGHWAYS, REGION ENGINEER

May 11, 2007
Eric E. Harwood
Interim ENGINEER OF DESIGN AND ENVIRONMENT

May 11, 2007
Milton R. Sees P.E.
DIRECTOR, DIVISION OF HIGHWAYS

PRINTED BY THE AUTHORITY
OF THE STATE OF ILLINOIS

J.U.L.I.E
JOINT UTILITY LOCATION INFORMATION
FOR EXCAVATION 1-800-892-0123

DISTRICT ONE - DESIGN - PLAN PREPARATION ENGINEER
KEN ENG / ROBERT BORO (847)-705-4178

ROUTE	SECTION	COUNTY	TOTAL SHEETS	SHEET NUMBER
FAI 80	99-4HB-1-I-1	WILL	12	2

CONTRACT NO: 60B24

INDEX OF SHEETS

- 1 TITLE SHEET
- 2 INDEX OF SHEETS, STATE STANDARDS
- 3 GENERAL NOTES
- 4 SUMMARY OF QUANTITIES
- 5 - 12 BRIDGE REPAIRS

STATE STANDARDS

- 701101-01 OFF ROAD OPERATIONS, MULTI LANE LESS THAN 15' AWAY
- 701301-02 LANE CLOSURE, 2L, 2W, SHORT TIME OPERATIONS
- 701601-04 URBAN LANE CLOSURE, MULTILANE 2W WITH MOUNTABLE MEDIAN
- 702001-06 TRAFFIC CONTROL DEVICES

ILLINOIS DEPARTMENT OF TRANSPORTATION
INDEX OF SHEETS
LIST OF STATE STANDARD

ROUTE	SECTION	COUNTY	TOTAL SHEETS	SHEET NUMBER
FAI 80	99-4HB-1-I-1	WILL	12	3

CONTRACT NO: 60B24

GENERAL NOTES

BEFORE STARTING ANY EXCAVATION, THE CONTRACTOR SHALL CALL "J.U.L.I.E." (JOINT UTILITY LOCATION INFORMATION FOR EXCAVATION) AT (800) 892-0123 FOR FIELD LOCATIONS OF BURIED ELECTRIC, TELEPHONE AND GAS UTILITIES. (48 HOUR NOTIFICATION IS REQUIRED).

THE CONTRACTOR SHALL COORDINATE CONSTRUCTION ACTIVITIES WITH UTILITY COMPANIES.

THE CONTRACTOR WILL NOT BE ALLOWED TO SET UP A YARD OR FIELD OFFICE ON STATE PROPERTY WITHOUT WRITTEN PERMISSION FROM THE DEPARTMENT.

IT SHALL BE THE CONTRACTOR'S RESPONSIBILITY TO VERIFY ALL DIMENSIONS AND CONDITIONS EXISTING IN THE FIELD PRIOR TO CONSTRUCTION AND ORDERING OF MATERIALS.

THE CONTRACTOR SHALL CONTACT THE DISTRICT ONE TRAFFIC CONTROL SUPERVISOR CORA MATHIS AT (847) 705-4470 A MINIMUM OF 72 HOURS IN ADVANCE OF BEGINNING WORK.

DO NOT SCALE PLANS FOR CONSTRUCTION DIMENSIONS.

THESE PLANS HAVE BEEN PREPARED FROM NOTES RECEIVED FROM FIELD BRIDGE MAINTENANCE ENGINEERS.

EXISTING MIN. VERTICAL CLEARANCE (RICHARD ST.) = 14'-3"

ILLINOIS DEPARTMENT OF TRANSPORTATION

GENERAL NOTES

ROUTE	SECTION	COUNTY	TOTAL SHEETS	SHEET NUMBER
FAI 80	99-4HB-1-I-1	WILL	12	4

CONTRACT NO: 60B24

SUMMARY OF QUANTITIES

CODE NO.	DESCRIPTION	UNIT	TOTAL	CONSTRUCTION TYPE CODE SFTY-2A	
				SN 099-0064	SN 099-0065
67000400	Engineer's Field Office, Type A	CAL MO	3.0	1.5	1.5
67100100	Mobilization	L SUM	1.0	.5	.5
70102630	Traffic Control and Protection, Standard 701601	L SUM	1.0	.5	.5
X0325305	Structural Repair of Concrete (Depth ≤ 5")	SQ FT	124.0	70.0	54.0
X0325743	Structural Repair of Concrete (Depth ≤ 5") (Special)	SQ FT	932.0	446.0	486.0
X0322467	Temporary Information Signing for Lane Closure	SQ FT	48.0	24.0	24.0
Z0073200	Temporary Shoring and Cribbing	EACH	32	16	16

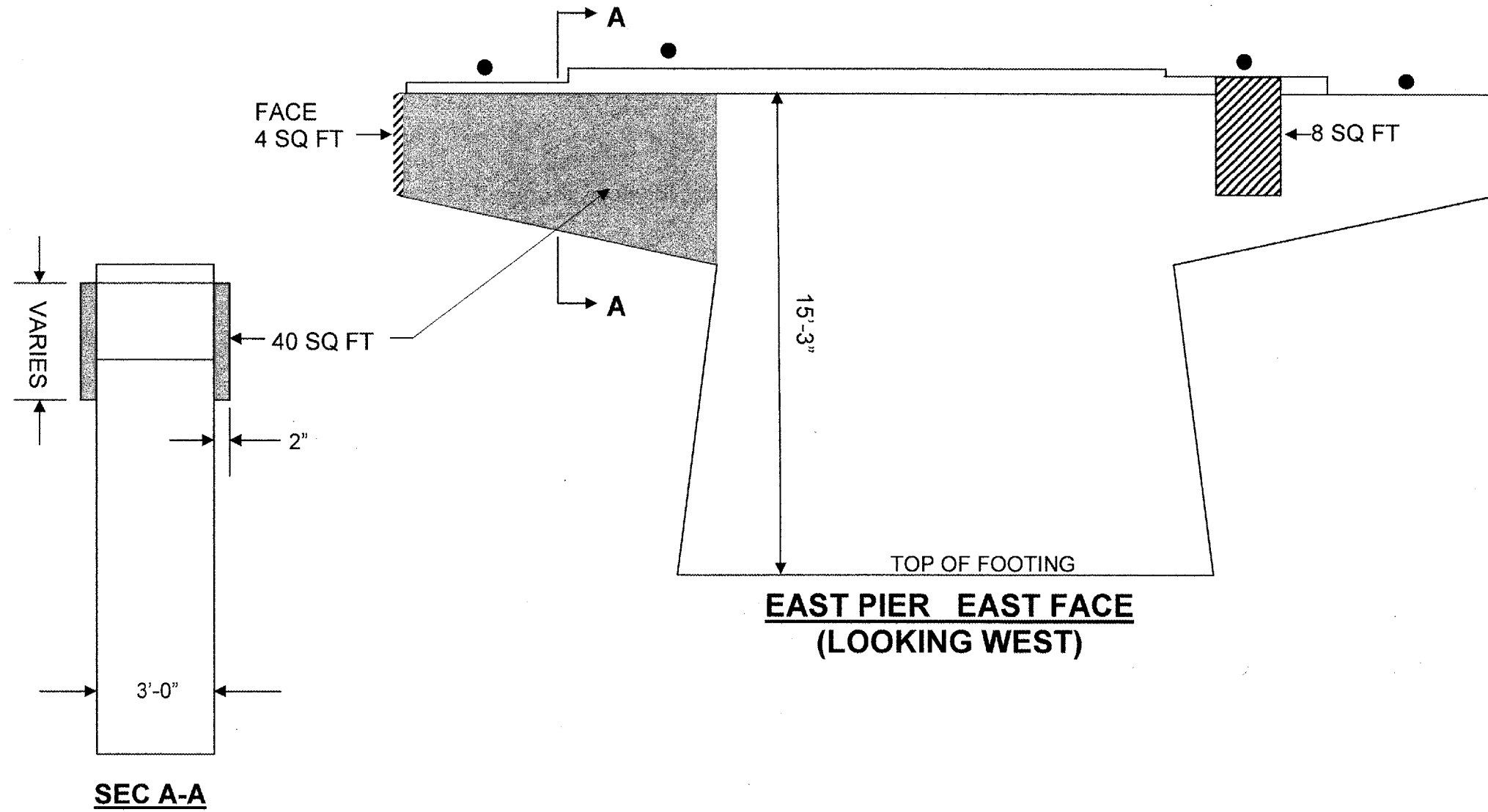
ILLINOIS DEPARTMENT OF TRANSPORTATION

SUMMARY OF QUANTITIES

Rev.

ROUTE	SECTION	COUNTY	TOTAL SHEETS	SHEET NUMBER
FAI 80	99-4HB-1-I-1	WILL	12	5

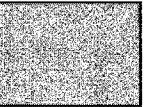
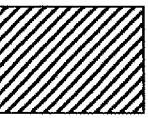
CONTRACT NO: 60B24
SHEET 1 OF 8



BEAM REACTIONS TABLE

	SPAN 2	SPAN 3
R _{DL}	47.7K	21.7K
R _{LL}	37.0K	32.1K
R _{IMP}	9.0K	9.6K
R _{TOTAL}	93.7K	63.4K

**EAST PIER EAST FACE
(LOOKING WEST)**

- TEMPORARY SHORING & CRIBBING
-  STRUCTURAL REPAIR OF CONCRETE, DEPTH ≤ 5" (SPECIAL)
SEE SPECIAL PROVISIONS
-  STRUCTURAL REPAIR OF CONCRETE, DEPTH ≤ 5"

FOR QUANTITIES SEE SHEET 2 OF 8

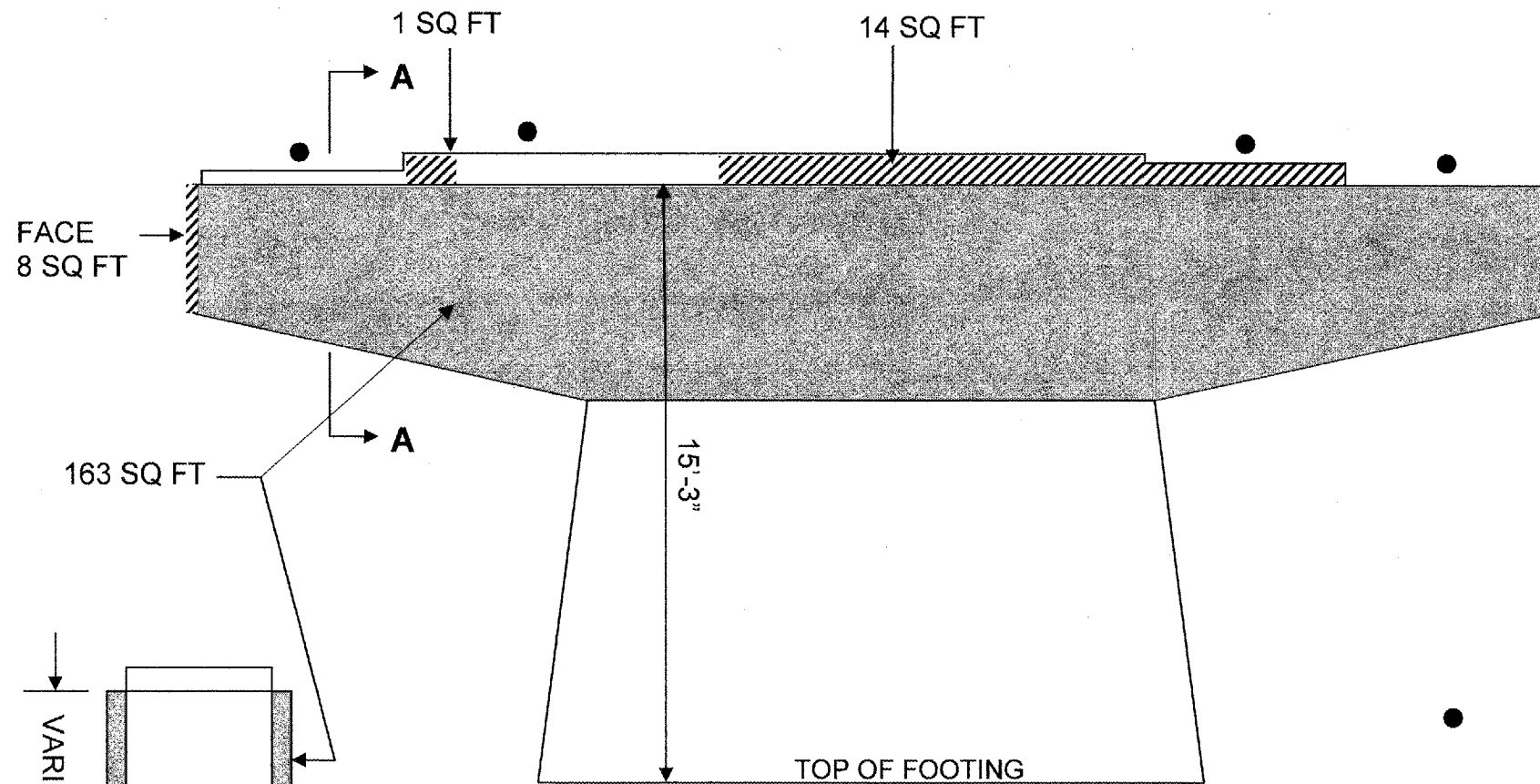
SHEET 1 OF 2

ILLINOIS DEPARTMENT OF TRANSPORTATION

**EAST PIER
EB I-80 OVER RICHARD ST
SN 099-0064**

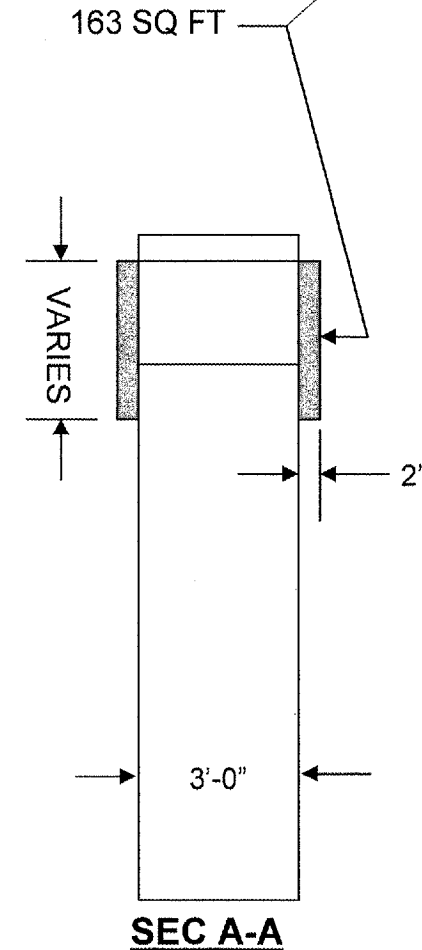
ROUTE	SECTION	COUNTY	TOTAL SHEETS	SHEET NUMBER
FAI 80	99-4HB-1-I-1	WILL	12	6

CONTRACT NO: 60B24
SHEET 2 OF 8



BEAM REACTIONS TABLE

	SPAN 2	SPAN 3
R _{DL}	47.7K	21.7K
R _{LL}	37.0K	32.1K
R _{IMP}	9.0K	9.6K
R _{TOTAL}	93.7K	63.4K



**EAST PIER WEST FACE
(LOOKING EAST)**

- TEMPORARY SHORING & CRIBBING
- STRUCTURAL REPAIR OF CONCRETE, DEPTH ≤ 5" (SPECIAL) SEE SPECIAL PROVISIONS
- ▨ STRUCTURAL REPAIR OF CONCRETE, DEPTH ≤ 5"

**BILL OF MATERIAL
(EAST PIER)**

PAY ITEM	EAST FACE	WEST FACE	TOTAL
TEMPORARY SHORING & CRIBBING	4	4	8 EA
STRUCTURAL REPAIR OF CONCRETE (DEPTH ≤ 5")	12	23	35 SQ FT
STRUCTURAL REPAIR OF CONCRETE (DEPTH ≤ 5") (SPECIAL)	40	163	203 SQ FT

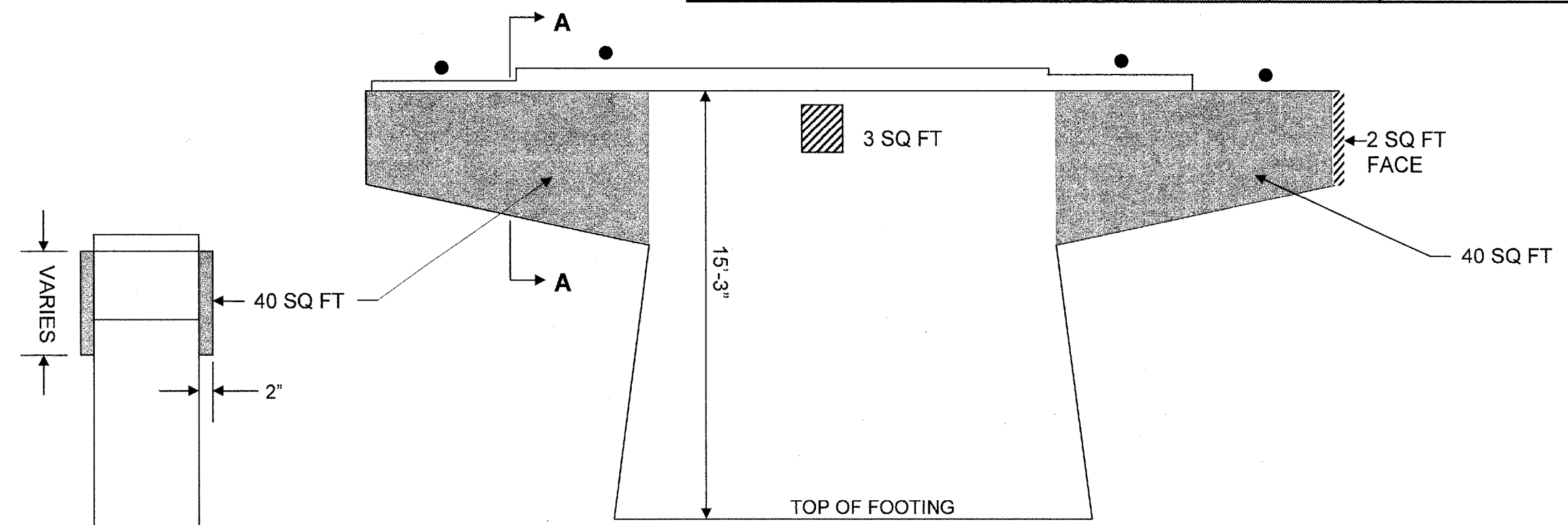
SHEET 2 OF 2

ILLINOIS DEPARTMENT OF TRANSPORTATION

**EAST PIER
EB I-80 OVER RICHARD ST
SN 099-0064**

ROUTE	SECTION	COUNTY	TOTAL SHEETS	SHEET NUMBER
FAI 80	99-4HB-1-I-1	WILL	12	7

CONTRACT NO: 60B24
SHEET 3 OF 8



**WEST PIER EAST FACE
(LOOKING WEST)**

BEAM REACTIONS TABLE

	SPAN 1	SPAN 2
R _{DL}	21.1K	47.7K
R _{LL}	31.9K	37.0K
R _{IMP}	9.6K	9.0K
R _{TOTAL}	62.6K	93.7K

● TEMPORARY SHORING & CRIBBING

 STRUCTURAL REPAIR OF CONCRETE, DEPTH ≤ 5" (SPECIAL)
SEE SPECIAL PROVISIONS

 STRUCTURAL REPAIR OF CONCRETE, DEPTH ≤ 5"

FOR QUANTITIES SEE SHEET 4 OF 8

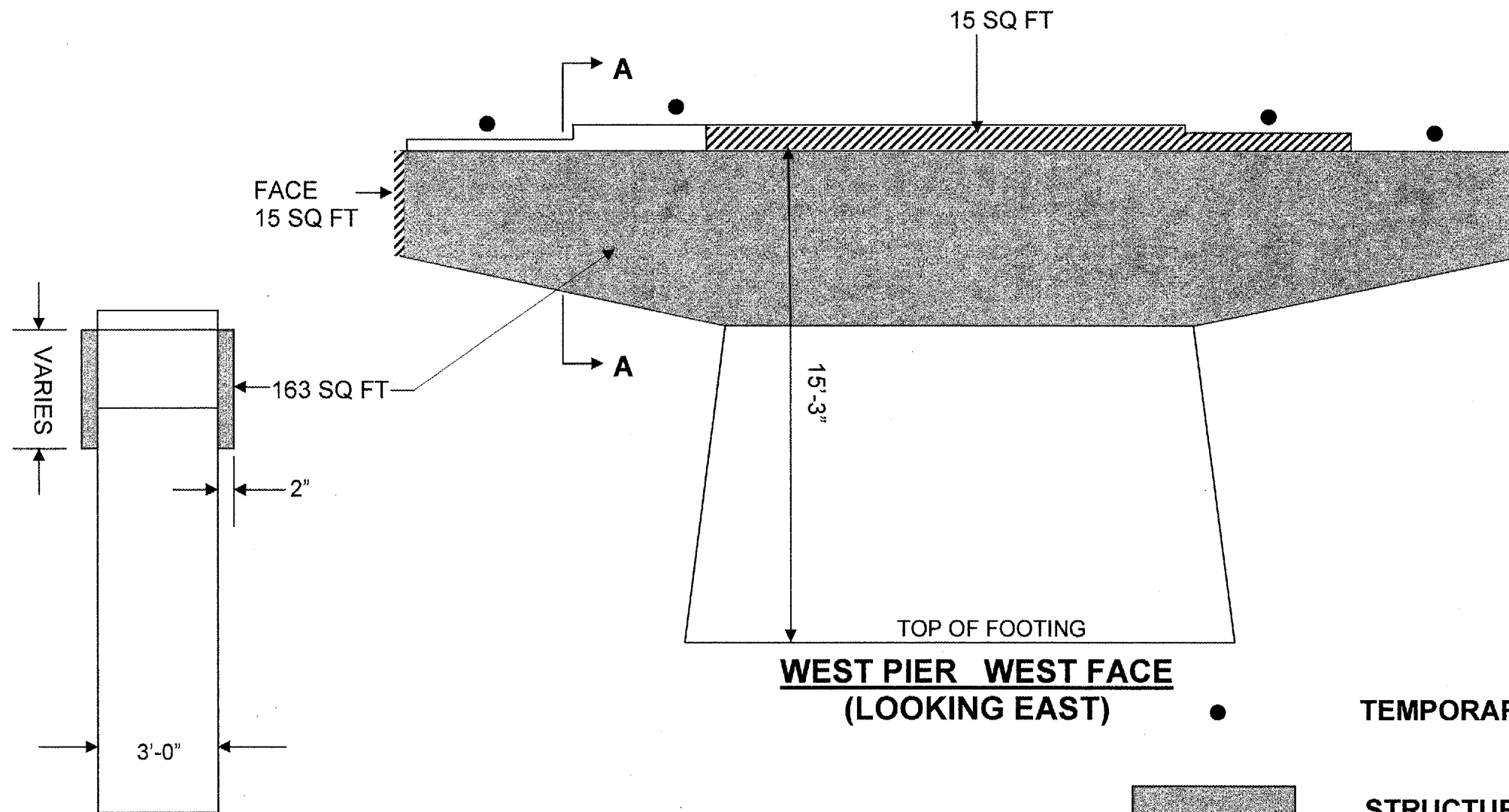
SHEET 1 OF 2

ILLINOIS DEPARTMENT OF TRANSPORTATION

**WEST PIER
EB I-80 OVER RICHARD ST
SN 099-0064**

ROUTE	SECTION	COUNTY	TOTAL SHEETS	SHEET NUMBER
FAI 80	99-4HB-1-I-1	WILL	12	8

CONTRACT NO: 60B24
SHEET 4 OF 8



BEAM REACTIONS TABLE

	SPAN 1	SPAN 2
R _{DL}	21.1K	47.7K
R _{LL}	31.9K	37.0K
R _{IMP}	9.6K	9.0K
R _{TOTAL}	62.6K	93.7K

**WEST PIER WEST FACE
(LOOKING EAST)**

TEMPORARY SHORING & CRIBBING

STRUCTURAL REPAIR OF CONCRETE, DEPTH ≤ 5" (SPECIAL)
SEE SPECIAL PROVISIONS

STRUCTURAL REPAIR OF CONCRETE, DEPTH ≤ 5"

**BILL OF MATERIAL
(WEST PIER)**

SHEET 2 OF 2

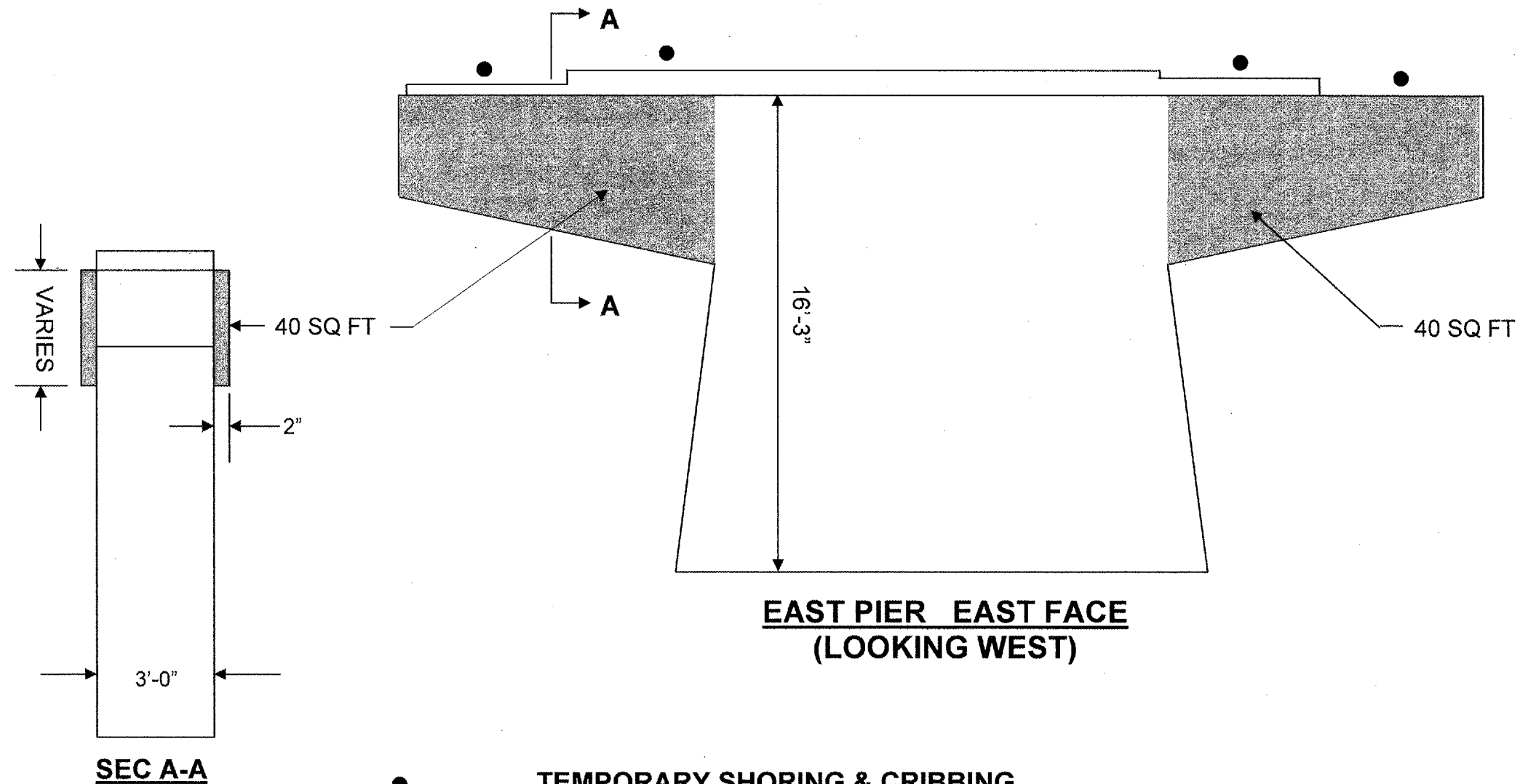
PAY ITEM	EAST FACE	WEST FACE	TOTAL
TEMPORARY SHORING & CRIBBING	4	4	8 EA
STRUCTURAL REPAIR OF CONCRETE (DEPTH ≤ 5")	5	30	35 SQ FT
STRUCTURAL REPAIR OF CONCRETE (DEPTH ≤ 5") (SPECIAL)	80	163	243 SQ FT

ILLINOIS DEPARTMENT OF TRANSPORTATION

**WEST PIER
EB I-80 OVER RICHARD ST
SN 099-0064**

ROUTE	SECTION	COUNTY	TOTAL SHEETS	SHEET NUMBER
FAI 80	99-4HB-1-I-1	WILL	12	9

CONTRACT NO: 60B24
SHEET 5 OF 8



BEAM REACTIONS TABLE

	SPAN 2	SPAN 3
R _{DL}	47.7K	21.7K
R _{LL}	37.0K	32.1K
R _{IMP}	9.0K	9.6K
R _{TOTAL}	93.7K	63.4K

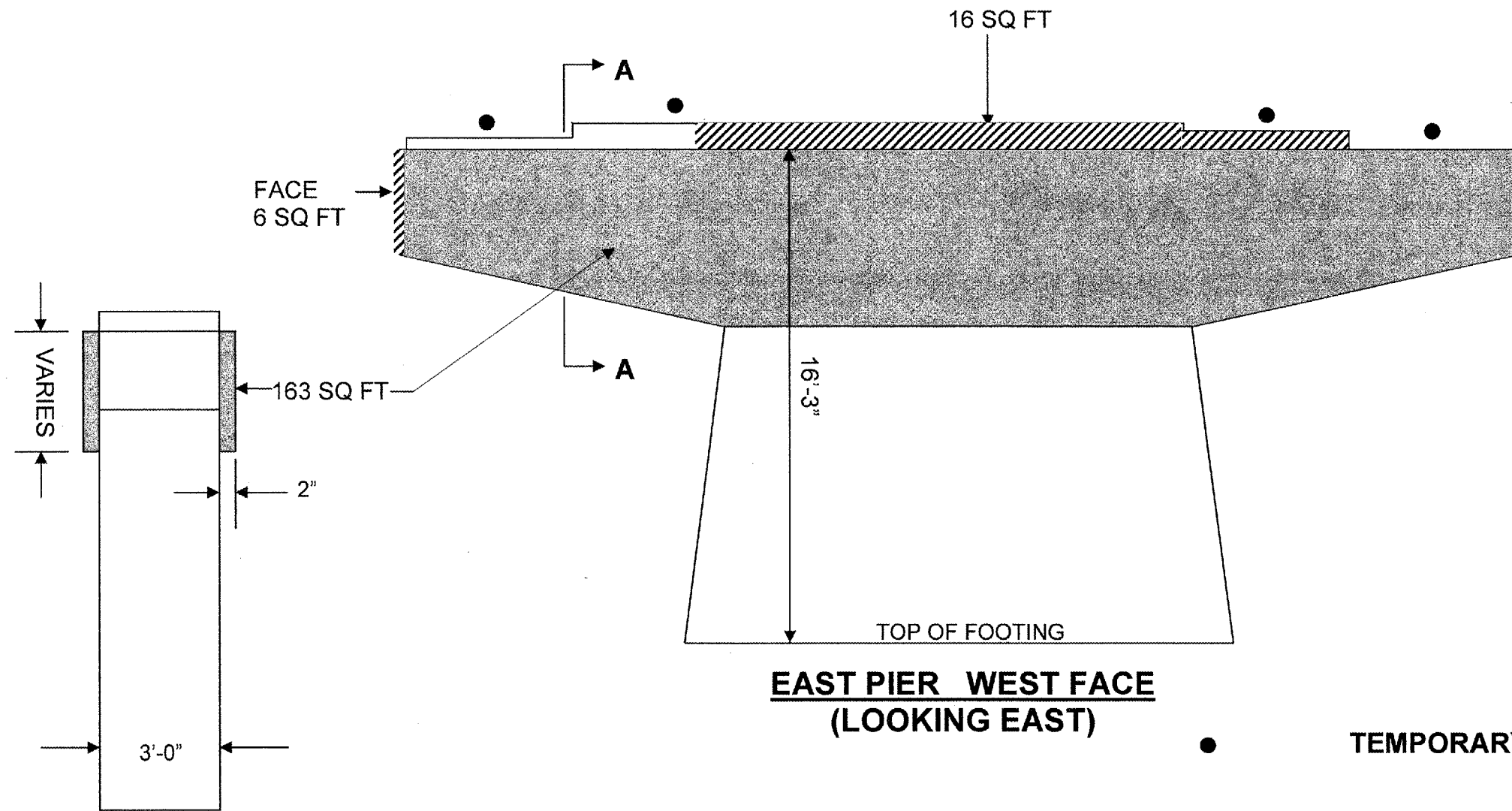
SHEET 1 OF 2

ILLINOIS DEPARTMENT OF TRANSPORTATION

**EAST PIER
WB I-80 OVER RICHARD ST
SN 099-0065**

ROUTE	SECTION	COUNTY	TOTAL SHEETS	SHEET NUMBER
FAI 80	99-4HB-1-I-1	WILL	12	10

CONTRACT NO: 60B24
SHEET 6 OF 8



BEAM REACTIONS TABLE

	SPAN 2	SPAN 3
R _{DL}	47.7K	21.7K
R _{LL}	37.0K	32.1K
R _{IMP}	9.0K	9.6K
R _{TOTAL}	93.7K	63.4K

**EAST PIER WEST FACE
(LOOKING EAST)**



TEMPORARY SHORING & CRIBBING



STRUCTURAL REPAIR OF CONCRETE, DEPTH ≤ 5" (SPECIAL)
SEE SPECIAL PROVISIONS



STRUCTURAL REPAIR OF CONCRETE, DEPTH ≤ 5"

**BILL OF MATERIAL
(EAST PIER)**

PAY ITEM	EAST FACE	WEST FACE	TOTAL
TEMPORARY SHORING & CRIBBING	4	4	8
STRUCTURAL REPAIR OF CONCRETE (DEPTH ≤ 5")	0	22	22
STRUCTURAL REPAIR OF CONCRETE (DEPTH ≤ 5") (SPECIAL)	80	163	243

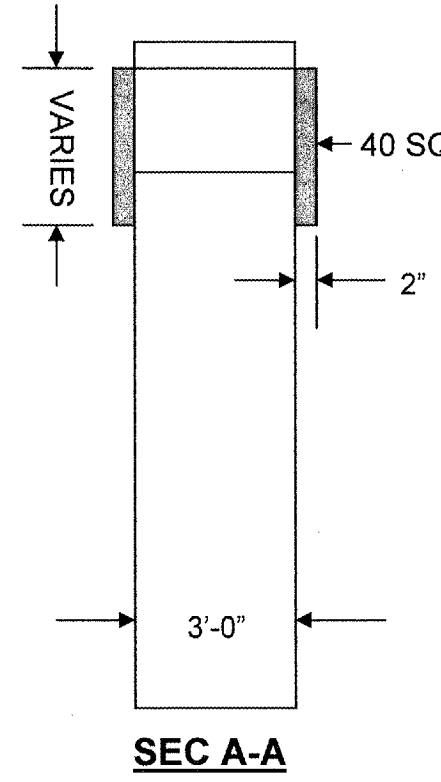
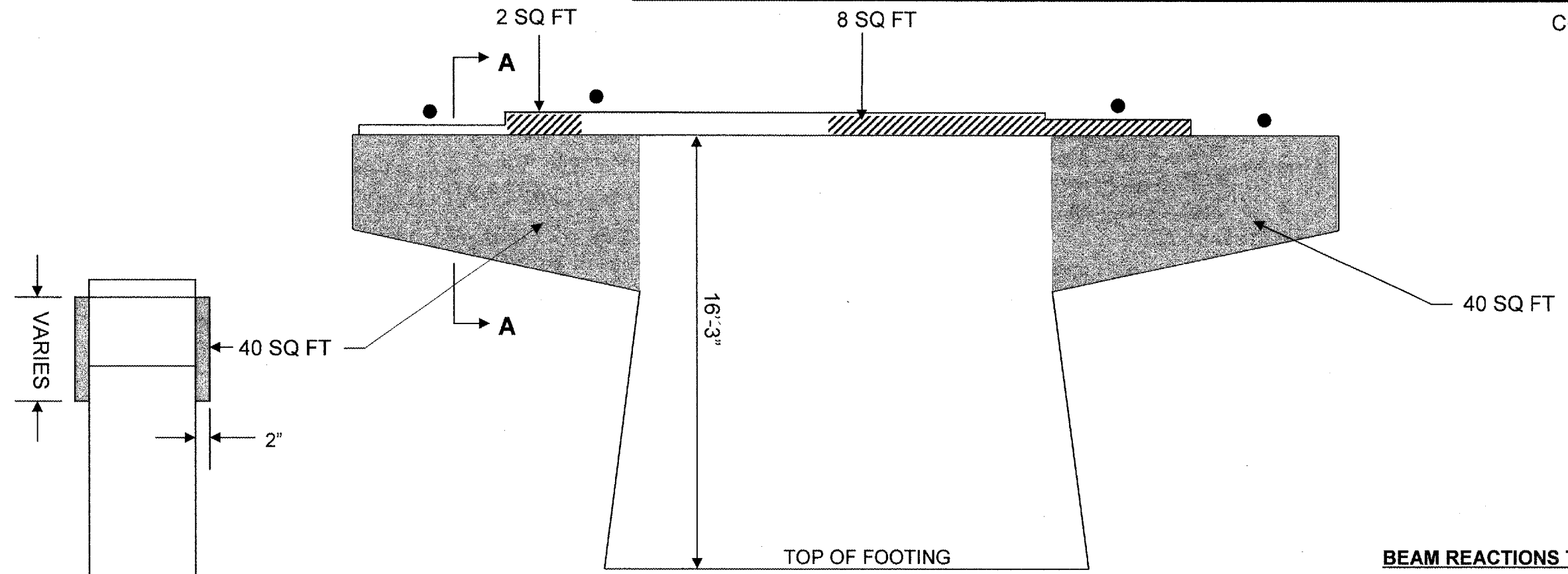
SHEET 2 OF 2

ILLINOIS DEPARTMENT OF TRANSPORTATION

**EAST PIER
WB I-80 OVER RICHARD ST
SN 099-0065**

ROUTE	SECTION	COUNTY	TOTAL SHEETS	SHEET NUMBER
FAI 80	99-4HB-1-I-1	WILL	12	11

CONTRACT NO: 60B24
SHEET 7 OF 8



**WEST PIER EAST FACE
(LOOKING WEST)**

BEAM REACTIONS TABLE

	SPAN 1	SPAN 2
R _{DL}	21.1K	47.7K
R _{LL}	31.9K	37.0K
R _{IMP}	9.6K	9.0K
R _{TOTAL}	62.6K	93.47K

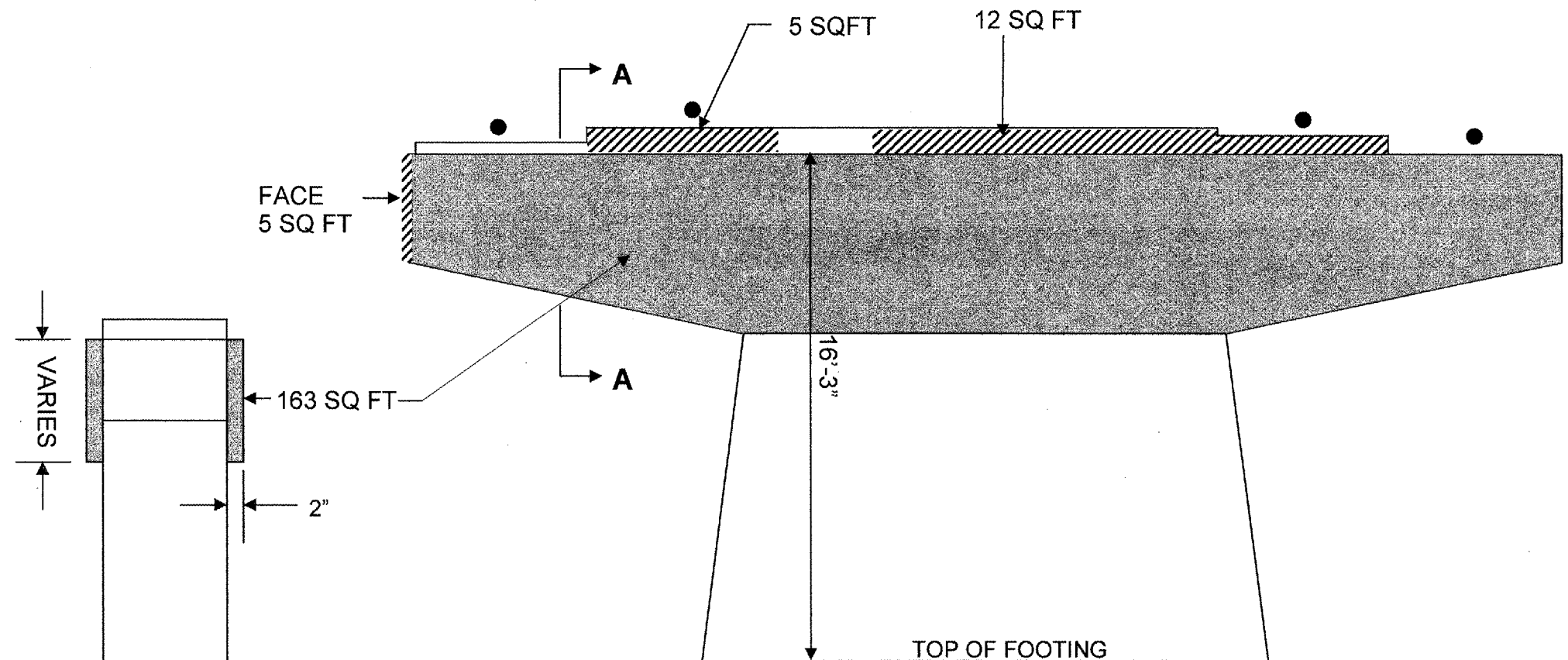
- TEMPORARY SHORING & CRIBBING
 - STRUCTURAL REPAIR OF CONCRETE, DEPTH ≤ 5" (SPECIAL)
SEE SPECIAL PROVISIONS
 - STRUCTURAL REPAIR OF CONCRETE, DEPTH ≤ 5"
- FOR QUANTITIES SEE SHEET 8 OF 8**

SHEET 1 OF 2

ILLINOIS DEPARTMENT OF TRANSPORTATION
**WEST PIER
WB I-80 OVER RICHARD ST
SN 099-0065**

ROUTE	SECTION	COUNTY	TOTAL SHEETS	SHEET NUMBER
FAI 80	99-4HB-1-I-1	WILL	12	12

CONTRACT NO: 60B24
SHEET 8 OF 8



BEAM REACTIONS TABLE

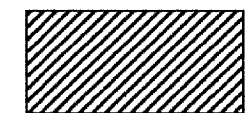
	SPAN 1	SPAN 2
R _{DL}	21.1K	47.7K
R _{LL}	31.9K	37.0K
R _{IMP}	9.6K	9.0K
R _{TOTAL}	62.6K	93.7K

**WEST PIER WEST FACE
(LOOKING EAST)**

● TEMPORARY SHORING & CRIBBING



STRUCTURAL REPAIR OF CONCRETE, DEPTH ≤ 5" (SPECIAL)
SEE SPECIAL PROVISIONS



STRUCTURAL REPAIR OF CONCRETE, DEPTH ≤ 5"

**BILL OF MATERIAL
(WEST PIER)**

PAY ITEM	EAST FACE	WEST FACE	TOTAL
TEMPORARY SHORING & CRIBBING	4	4	8
STRUCTURAL REPAIR OF CONCRETE (DEPTH ≤ 5")	10	22	32
STRUCTURAL REPAIR OF CONCRETE (DEPTH ≤ 5") (SPECIAL)	80	163	243

SHEET 2 OF 2

ILLINOIS DEPARTMENT OF TRANSPORTATION
**WEST PIER
WB I-80 OVER RICHARD ST
SN 099-0065**