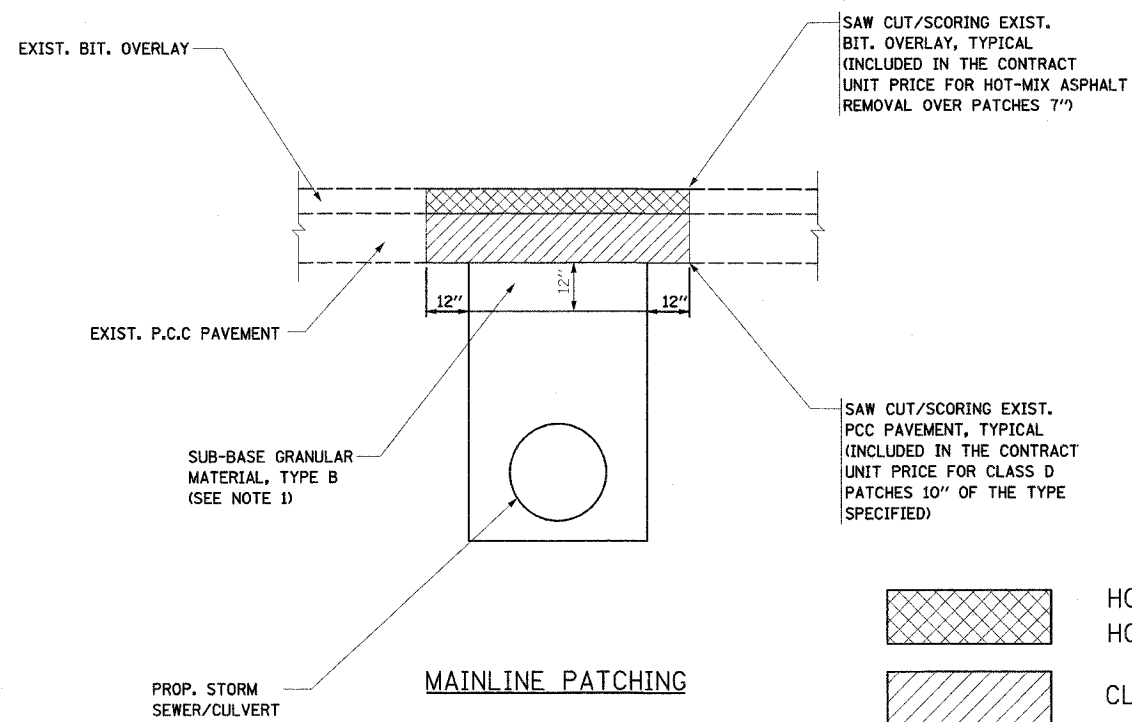


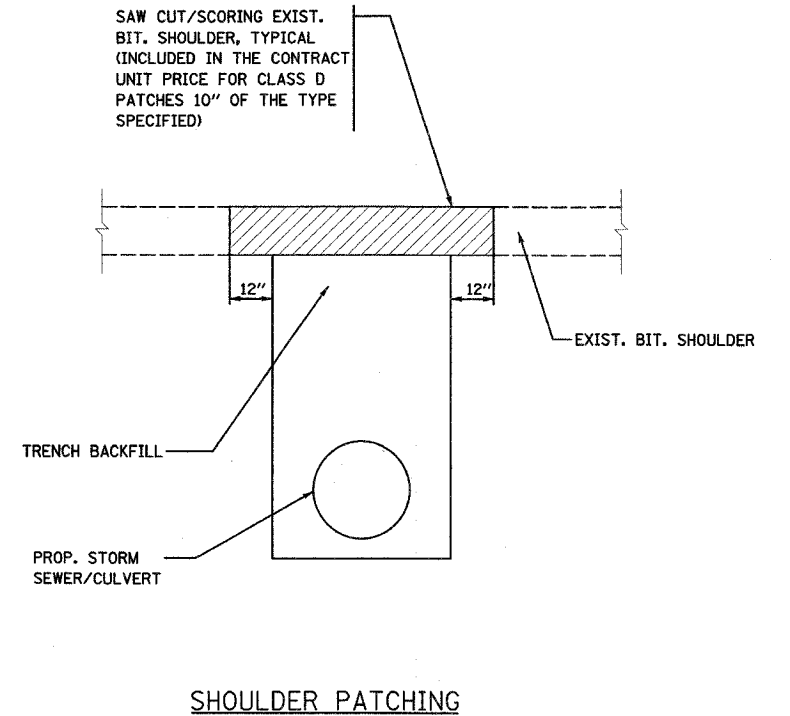
F.A.I. RTE.	SECTION	COUNTY	TOTAL SHEETS	SHEET NO.
55	99 (1&2) WRS-3	WILL	305	21
STA.		TO STA.		
FED. ROAD DIST. NO.	ILLINOIS FED. AID PROJECT			
TYP 11 OF 11				

EXISTING



**NOTES:**

1. SUB-BASE GRANULAR MATERIAL, TYPE B SHALL BE CONSTRUCTED IN ACCORDANCE WITH ARTICLES 311.02, 311.03 AND 311.05 OF THE STANDARD SPECIFICATIONS. THIS WORK WILL BE MEASURED AND PAID FOR AS TRENCH BACKFILL IN ACCORDANCE WITH ARTICLES 208.03 AND 208.04 OF THE STANDARD SPECIFICATIONS.



PAVEMENT PATCHING FOR STORM SEWER LATERAL OUTLETS

REVISIONS	
NAME	DATE

ILLINOIS DEPARTMENT OF TRANSPORTATION  
 FAI ROUTE 55  
 143RD STREET TO WEBER ROAD  
 TYPICAL SECTIONS

SCALE: NONE  
 DATE: 02-23-07

DRAWN BY: DM  
 CHECKED BY: DVS



FINAL