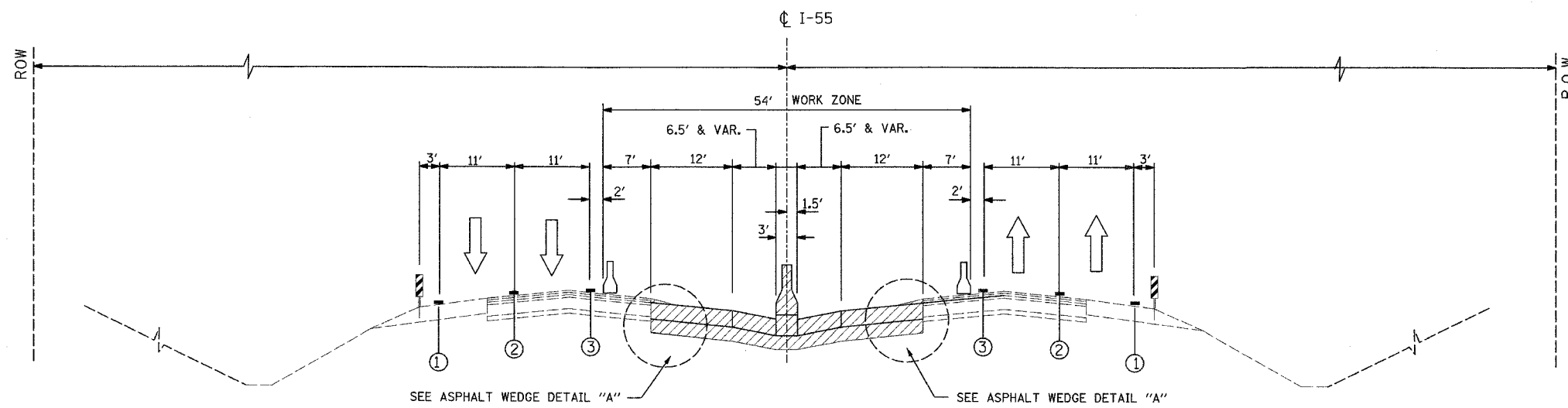
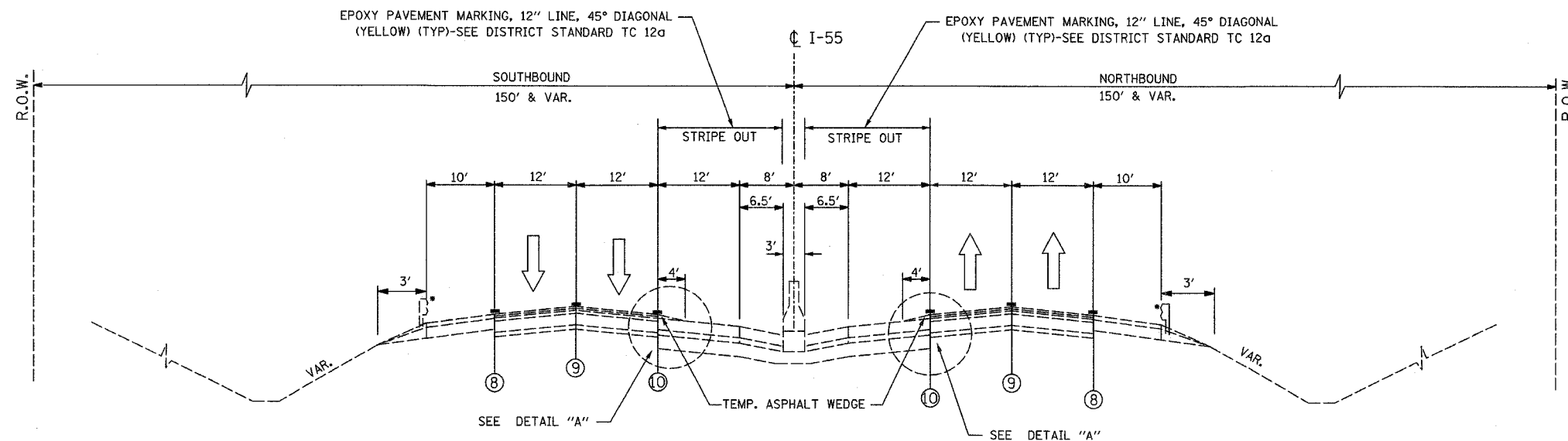


F.A.I. RTE.	SECTION	COUNTY	TOTAL SHEETS	SHEET NO.
55	99 (1&2) WRS-3	WILL	305	71
STA.		TO STA.		
FED. ROAD DIST. NO.	ILLINOIS	FED. AID PROJECT		
	MOT-TYP-04	OF	06	



SUGGESTED TYPICAL SECTION  
STAGE I - 2007 CONSTRUCTION SEASON

STA. 878+50.00 TO STA. 910+10.00



SUGGESTED TYPICAL SECTION  
WINTER SHUTDOWN

STA. 878+50.00 TO STA. 910+10.00

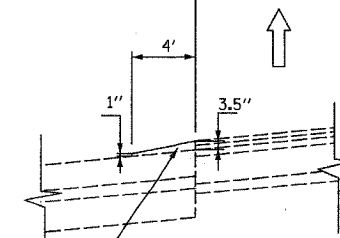
LEGEND

- ① PVMT MARKING TAPE, TYPE III 4" (WHITE)
- ② PVMT MARKING TAPE, TYPE III 5" SKIP-DASH (30FT/10FT)
- ③ PVMT MARKING TAPE, TYPE III 4" (YELLOW)
- ④ HOT-MIX ASPHALT SURFACE COURSE, MIX "D", N70, 1-3/4"
- ⑤ HOT-MIX ASPHALT BASE COURSE, 10-1/4"
- ⑥ EXISTING AGGREGATE SHOULDER
- ⑦ AGGREGATE SHOULDER, TYPE B
- ⑧ EPOXY PAVEMENT MARKING - LINE 4" (WHITE)
- ⑨ EPOXY PAVEMENT MARKING - LINE 5" SKIP-DASH (30FT/10FT)
- ⑩ EPOXY PAVEMENT MARKING - LINE 4" (YELLOW)

LEGEND

- VERTICAL PANELS AT 100' IN CURVES AND 200' IN TANGENTS
- DRUMS W/ STEADY BURN LIGHTS AT 50' C-C IN TAPERS AND 100' C-C IN TANGENTS
- WORK ZONE
- TRAFFIC FLOW ARROW
- TEMPORARY CONCRETE BARRIER

NEW LANE STRIPE OUT | EXIST. INSIDE TRAVEL LANE



\*\* TEMP. ASPHALT WEDGE

DETAIL A

NOTE:

\*\* THE COST OF TEMPORARY ASPHALT WEDGE REMOVAL WILL NOT BE PAID FOR SEPARATELY, BUT SHALL BE INCLUDED IN THE CONTRACT UNIT PRICE PER SQ YD FOR " TEMPORARY ASPHALT WEDGE"

STAGE I-2007 CONSTRUCTION SEASON & WINTER SHUTDOWN

REVISIONS	
NAME	DATE

ILLINOIS DEPARTMENT OF TRANSPORTATION  
FAI ROUTE 55  
143RD STREET TO WEBER ROAD  
SUGGESTED STAGES OF  
CONSTRUCTION AND TRAFFIC CONTROL  
GENERAL NOTES AND DETAILS

SCALE: NONE  
DATE: 02-23-07

DRAWN BY: DM  
CHECKED BY: DVS



FINAL